

MOTOR STARTERS EExd and Weatherproof GP, JL & G2 Ranges



GP2S



GPS



JL4S



G2S

Introduction

This range of motor starters includes:

DOL up to 132kW, Reversing and Star Delta up to 110kW with optional isolators up to 315 Amps (AC1).

They can be fitted with stop/start pushbuttons, overloads, meters, running lamps, fuses and transformers. All are produced to client's requirements.

- ★ Zone 1 & Zone 2 use.
 - ★ EExd IIB T4/T6.
 - ★ ATEX approved Ex II 2G.
 - ★ BASEEFA certified.
 - ★ IP65 & IP66*.
 - ★ Cast iron, marine grade alloy and stainless steel.
 - ★ Variety of enclosures.
 - ★ Variety of combinations.
 - ★ Component certified.
- *Model dependent.

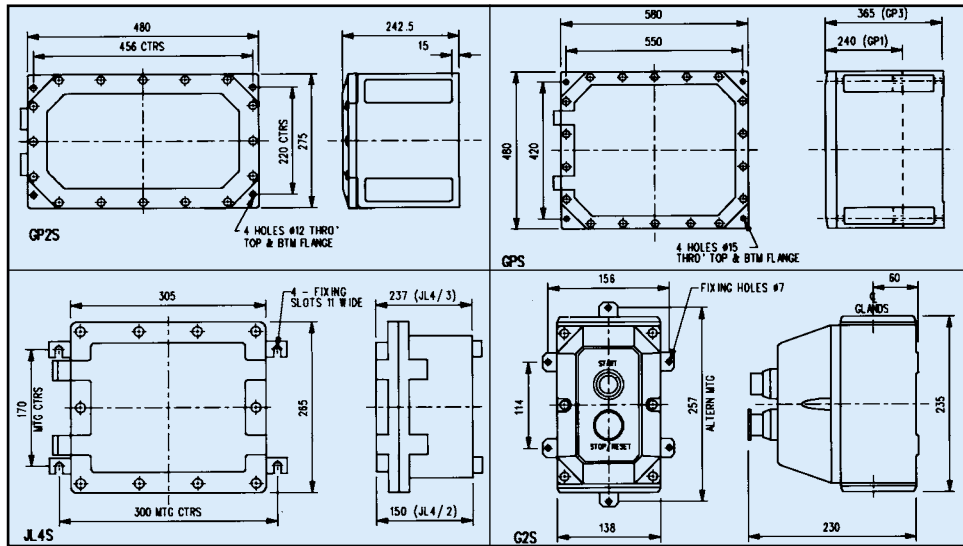
MEDC Ltd, Colliery Road,
Pinxton, Nottingham NG16 6JF, UK.
Tel: +44 (0)1773 864100
Fax: +44 (0)1773 582800

MEDC International, 5829 West Sam Houston Parkway,
North, Suite 1005, Houston, Texas 77041, USA.
Tel: +1 (713) 937 9772
Fax: +1 (713) 937 9773

MEDC Norway, Auglaensmyraa 6,
4016, Stavanger, Norge.
Tel: +47 913 92 289
Fax: +47 914 46 030

Sales Enq. Fax: +44 (0)1773 582830 Sales Orders Fax: +44 (0)1773 582832
E-Mail: sales@medc.com Web: www.medc.com





Specification

Certification: CENELEC EN 50014 & 18.
ATEX approved.
EExd IIB T4/T5/T6.
Zones 1 & 2.

Material: Cast Iron or LM25TF Alloy (GP2 only).
Finish: Corrosion resistant epoxy paint.

Operating Temperature:
GPS = -40°C to +40°C/55°C.
GP2S = -40°C to +40°C/55°C.
JL4S = -55°C to +40°C/55°C.
G2S = -55°C to +55°C.

IP Rating: IP65 (Note: GP2S IP66).

Duty & Tag Labels: Can be fitted to clients' requirements.

Earthing: Internal & external earths fitted.

Cable Entries: 20, 25, 32, 40, 50 or 63mm.
(Plugs can be fitted if required).

Remote stop-start facility: Fitted as standard.

Control Circuit Fuses: Fitted as standard.

Model	kW	Type	Isolator	Indicators	Meters	Main Fuses	Control Circuit Transformer
G2S	Up to 15kW	DOL only	N/A	N/A	N/A	N/A	N/A
JL4/2S	Up to 15kW	DOL/Star Delta/Reversing	Yes	Yes	Yes	Yes	Yes
JL4/3S	Up to 33kW	DOL/Reversing	Yes	Yes	Yes	Yes	Yes
GP2S	Up to 45kW	DOL/Star Delta/Reversing	Yes	Yes	Yes	Yes	Yes
GP1S	Up to 55kW	DOL/Star Delta/Reversing	Yes	Yes	Yes	Yes	Yes
GP3S	Up to 75kW	DOL/Star Delta/Reversing	Yes	Yes	Yes	Yes	Yes
	Up to 110kW	DOL/Star Delta/Reversing	N/A	Yes	Yes	N/A	Yes
	Up to 132kW	DOL	N/A	Yes	Yes	N/A	Yes

Ordering Requirements

Model	kW Rating	Type	Overload Rating	Coil Voltage	Aux. Contacts	Pushbutton Arrangement	Top Entries	Bottom Entries	Option																																																																																																																				
<input type="text"/>	<input type="text"/>	<input type="text"/>	<input type="text"/>	<input type="text"/>	<input type="text"/>	<input type="text"/>	<input type="text"/>	<input type="text"/>	<input type="text"/>																																																																																																																				
Refer to above table for enclosure model No.				<table border="1"> <thead> <tr> <th>Coil Voltage 50 Hz/60Hz Voltage</th> <th>Code</th> </tr> </thead> <tbody> <tr><td>24 a.c.</td><td>A</td></tr> <tr><td>48 a.c.</td><td>B</td></tr> <tr><td>110 a.c.</td><td>C</td></tr> <tr><td>220 a.c.</td><td>F</td></tr> <tr><td>240 a.c.</td><td>D</td></tr> <tr><td>254 a.c.</td><td>G</td></tr> <tr><td>380 a.c.</td><td>H</td></tr> <tr><td>415 a.c.</td><td>E</td></tr> <tr><td>440 a.c.</td><td>J</td></tr> <tr><td>460 a.c.</td><td>K</td></tr> <tr><td>480 a.c.</td><td>L</td></tr> <tr><td>24 d.c.</td><td>M</td></tr> <tr><td>48 d.c.</td><td>N</td></tr> <tr><td>Special voltages & frequencies (please specify)</td><td>S</td></tr> </tbody> </table>		Coil Voltage 50 Hz/60Hz Voltage	Code	24 a.c.	A	48 a.c.	B	110 a.c.	C	220 a.c.	F	240 a.c.	D	254 a.c.	G	380 a.c.	H	415 a.c.	E	440 a.c.	J	460 a.c.	K	480 a.c.	L	24 d.c.	M	48 d.c.	N	Special voltages & frequencies (please specify)	S	<table border="1"> <thead> <tr> <th>Top Entry</th> <th>Code</th> </tr> </thead> <tbody> <tr><td>None</td><td>00</td></tr> <tr><td>16mm</td><td>A*</td></tr> <tr><td>20mm</td><td>B*</td></tr> <tr><td>25mm</td><td>C*</td></tr> <tr><td>32mm</td><td>D*</td></tr> <tr><td>40mm</td><td>E*</td></tr> <tr><td>50mm</td><td>F*</td></tr> <tr><td>63mm</td><td>G*</td></tr> </tbody> </table> <p>*Suffix with quantity required and with P for certified plug if required.</p>		Top Entry	Code	None	00	16mm	A*	20mm	B*	25mm	C*	32mm	D*	40mm	E*	50mm	F*	63mm	G*	<table border="1"> <thead> <tr> <th>Option</th> <th>Code</th> </tr> </thead> <tbody> <tr><td>Isolator</td><td>1</td></tr> <tr><td>Running lamp, green</td><td>2</td></tr> <tr><td>Stop lamp, red</td><td>3</td></tr> <tr><td>O/L trip lamp, red</td><td>4</td></tr> <tr><td>Ammeter</td><td>5</td></tr> <tr><td>Voltmeter</td><td>6</td></tr> <tr><td>Hours run meter</td><td>7</td></tr> <tr><td>Motor rated fuses</td><td>8</td></tr> <tr><td>Control circuit transformer</td><td>9</td></tr> <tr><td>Special</td><td>S</td></tr> </tbody> </table>		Option	Code	Isolator	1	Running lamp, green	2	Stop lamp, red	3	O/L trip lamp, red	4	Ammeter	5	Voltmeter	6	Hours run meter	7	Motor rated fuses	8	Control circuit transformer	9	Special	S																																														
Coil Voltage 50 Hz/60Hz Voltage	Code																																																																																																																												
24 a.c.	A																																																																																																																												
48 a.c.	B																																																																																																																												
110 a.c.	C																																																																																																																												
220 a.c.	F																																																																																																																												
240 a.c.	D																																																																																																																												
254 a.c.	G																																																																																																																												
380 a.c.	H																																																																																																																												
415 a.c.	E																																																																																																																												
440 a.c.	J																																																																																																																												
460 a.c.	K																																																																																																																												
480 a.c.	L																																																																																																																												
24 d.c.	M																																																																																																																												
48 d.c.	N																																																																																																																												
Special voltages & frequencies (please specify)	S																																																																																																																												
Top Entry	Code																																																																																																																												
None	00																																																																																																																												
16mm	A*																																																																																																																												
20mm	B*																																																																																																																												
25mm	C*																																																																																																																												
32mm	D*																																																																																																																												
40mm	E*																																																																																																																												
50mm	F*																																																																																																																												
63mm	G*																																																																																																																												
Option	Code																																																																																																																												
Isolator	1																																																																																																																												
Running lamp, green	2																																																																																																																												
Stop lamp, red	3																																																																																																																												
O/L trip lamp, red	4																																																																																																																												
Ammeter	5																																																																																																																												
Voltmeter	6																																																																																																																												
Hours run meter	7																																																																																																																												
Motor rated fuses	8																																																																																																																												
Control circuit transformer	9																																																																																																																												
Special	S																																																																																																																												
<table border="1"> <thead> <tr> <th>kW</th> <th>Code</th> </tr> </thead> <tbody> <tr><td>2.2</td><td>02</td></tr> <tr><td>4.0</td><td>04</td></tr> <tr><td>5.5</td><td>05</td></tr> <tr><td>7.5</td><td>07</td></tr> <tr><td>11.0</td><td>11</td></tr> <tr><td>15.0</td><td>15</td></tr> <tr><td>18.5</td><td>18</td></tr> <tr><td>22.0</td><td>22</td></tr> <tr><td>30.0</td><td>30</td></tr> <tr><td>45.0</td><td>45</td></tr> <tr><td>55.0</td><td>55</td></tr> <tr><td>75.0</td><td>75</td></tr> <tr><td>90.0</td><td>90</td></tr> <tr><td>110.0</td><td>110</td></tr> <tr><td>132.0</td><td>132</td></tr> </tbody> </table>				kW	Code	2.2	02	4.0	04	5.5	05	7.5	07	11.0	11	15.0	15	18.5	18	22.0	22	30.0	30	45.0	45	55.0	55	75.0	75	90.0	90	110.0	110	132.0	132	<table border="1"> <thead> <tr> <th>Rating (Amps)</th> <th>Code</th> </tr> </thead> <tbody> <tr><td>1.3-1.8</td><td>A</td></tr> <tr><td>1.7-2.4</td><td>B</td></tr> <tr><td>2.2-3.1</td><td>C</td></tr> <tr><td>2.8-4.0</td><td>K</td></tr> <tr><td>3.5-5.0</td><td>D</td></tr> <tr><td>4.5-6.5</td><td>L</td></tr> <tr><td>6.0-8.5</td><td>E</td></tr> <tr><td>7.5-11.0</td><td>F</td></tr> <tr><td>10.0-14.0</td><td>M</td></tr> <tr><td>13.0-19.0</td><td>G</td></tr> <tr><td>18.0-25.0</td><td>H</td></tr> <tr><td>24.0-32.0</td><td>J</td></tr> <tr><td>29.0-42.0</td><td>N</td></tr> <tr><td>36.0-52.0</td><td>P</td></tr> <tr><td>45.0-63.0</td><td>Q</td></tr> <tr><td>60.0-80.0</td><td>R</td></tr> <tr><td>80.0-100.0</td><td>S</td></tr> <tr><td>100.0-135.0</td><td>T</td></tr> <tr><td>130.0-185.0</td><td>U</td></tr> <tr><td>165.0-235.0</td><td>V</td></tr> </tbody> </table>		Rating (Amps)	Code	1.3-1.8	A	1.7-2.4	B	2.2-3.1	C	2.8-4.0	K	3.5-5.0	D	4.5-6.5	L	6.0-8.5	E	7.5-11.0	F	10.0-14.0	M	13.0-19.0	G	18.0-25.0	H	24.0-32.0	J	29.0-42.0	N	36.0-52.0	P	45.0-63.0	Q	60.0-80.0	R	80.0-100.0	S	100.0-135.0	T	130.0-185.0	U	165.0-235.0	V	<table border="1"> <thead> <tr> <th>Aux. Contacts</th> <th>Code</th> </tr> </thead> <tbody> <tr><td>None</td><td>0</td></tr> <tr><td>1 NO/1NC</td><td>A</td></tr> <tr><td>2 NO</td><td>B</td></tr> <tr><td>2 NC</td><td>C</td></tr> </tbody> </table>		Aux. Contacts	Code	None	0	1 NO/1NC	A	2 NO	B	2 NC	C	<table border="1"> <thead> <tr> <th>Push buttons</th> <th>Code</th> </tr> </thead> <tbody> <tr><td>None</td><td>0</td></tr> <tr><td>Start-Stop Mushroom Head</td><td>1</td></tr> <tr><td>Start-Stop Latched Mushroom Head</td><td>2</td></tr> <tr><td>Start-Stop Mushroom Head Padlockable</td><td>3</td></tr> <tr><td>Non-standard (please specify)</td><td>4</td></tr> </tbody> </table>		Push buttons	Code	None	0	Start-Stop Mushroom Head	1	Start-Stop Latched Mushroom Head	2	Start-Stop Mushroom Head Padlockable	3	Non-standard (please specify)	4	<table border="1"> <thead> <tr> <th>Bottom Entry</th> <th>Code</th> </tr> </thead> <tbody> <tr><td>None</td><td>00</td></tr> <tr><td>16mm</td><td>A*</td></tr> <tr><td>20mm</td><td>B*</td></tr> <tr><td>25mm</td><td>C*</td></tr> <tr><td>32mm</td><td>D*</td></tr> <tr><td>40mm</td><td>E*</td></tr> <tr><td>50mm</td><td>F*</td></tr> <tr><td>63mm</td><td>G*</td></tr> </tbody> </table> <p>*Suffix with quantity required and with P for certified plug if required.</p>		Bottom Entry	Code	None	00	16mm	A*	20mm	B*	25mm	C*	32mm	D*	40mm	E*	50mm	F*	63mm	G*
kW	Code																																																																																																																												
2.2	02																																																																																																																												
4.0	04																																																																																																																												
5.5	05																																																																																																																												
7.5	07																																																																																																																												
11.0	11																																																																																																																												
15.0	15																																																																																																																												
18.5	18																																																																																																																												
22.0	22																																																																																																																												
30.0	30																																																																																																																												
45.0	45																																																																																																																												
55.0	55																																																																																																																												
75.0	75																																																																																																																												
90.0	90																																																																																																																												
110.0	110																																																																																																																												
132.0	132																																																																																																																												
Rating (Amps)	Code																																																																																																																												
1.3-1.8	A																																																																																																																												
1.7-2.4	B																																																																																																																												
2.2-3.1	C																																																																																																																												
2.8-4.0	K																																																																																																																												
3.5-5.0	D																																																																																																																												
4.5-6.5	L																																																																																																																												
6.0-8.5	E																																																																																																																												
7.5-11.0	F																																																																																																																												
10.0-14.0	M																																																																																																																												
13.0-19.0	G																																																																																																																												
18.0-25.0	H																																																																																																																												
24.0-32.0	J																																																																																																																												
29.0-42.0	N																																																																																																																												
36.0-52.0	P																																																																																																																												
45.0-63.0	Q																																																																																																																												
60.0-80.0	R																																																																																																																												
80.0-100.0	S																																																																																																																												
100.0-135.0	T																																																																																																																												
130.0-185.0	U																																																																																																																												
165.0-235.0	V																																																																																																																												
Aux. Contacts	Code																																																																																																																												
None	0																																																																																																																												
1 NO/1NC	A																																																																																																																												
2 NO	B																																																																																																																												
2 NC	C																																																																																																																												
Push buttons	Code																																																																																																																												
None	0																																																																																																																												
Start-Stop Mushroom Head	1																																																																																																																												
Start-Stop Latched Mushroom Head	2																																																																																																																												
Start-Stop Mushroom Head Padlockable	3																																																																																																																												
Non-standard (please specify)	4																																																																																																																												
Bottom Entry	Code																																																																																																																												
None	00																																																																																																																												
16mm	A*																																																																																																																												
20mm	B*																																																																																																																												
25mm	C*																																																																																																																												
32mm	D*																																																																																																																												
40mm	E*																																																																																																																												
50mm	F*																																																																																																																												
63mm	G*																																																																																																																												
<table border="1"> <thead> <tr> <th>Type</th> <th>Code</th> </tr> </thead> <tbody> <tr><td>DOL</td><td>D</td></tr> <tr><td>Reversing</td><td>R</td></tr> <tr><td>Star Delta</td><td>Y</td></tr> <tr><td>Special (please specify)</td><td>S</td></tr> </tbody> </table>				Type	Code	DOL	D	Reversing	R	Star Delta	Y	Special (please specify)	S	<p>Note: for left and right hand entries use code S and specify size, position and plugs.</p>		<p>Note: for left and right hand entries use code S and specify size, position and plugs.</p>																																																																																																													
Type	Code																																																																																																																												
DOL	D																																																																																																																												
Reversing	R																																																																																																																												
Star Delta	Y																																																																																																																												
Special (please specify)	S																																																																																																																												



All the above specifications, dimensions, weights and tolerances are nominal (typical) and MEDC reserve the right to vary all data without prior notice. No liability is accepted for any consequence of use.