

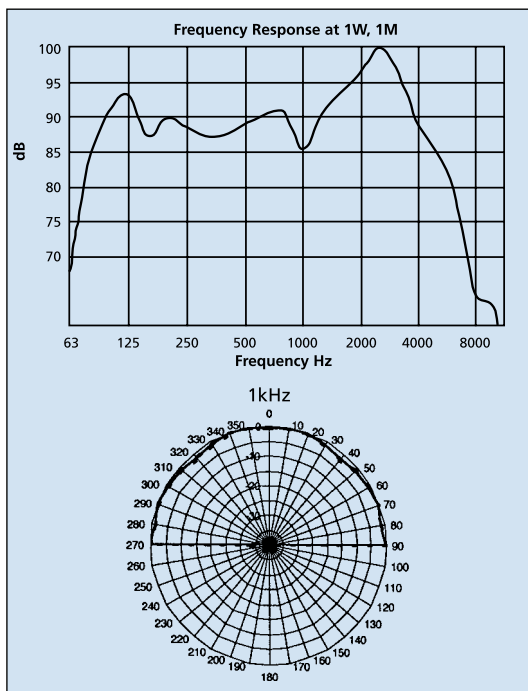
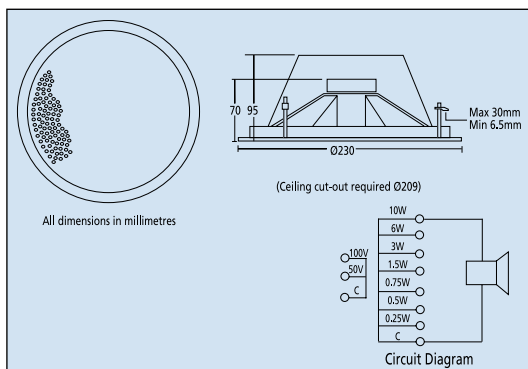


The Quickfit truly lives up to its name for ease of installation and quick maintenance due to its unique hinge and fixing mechanism. This combined with stylish appearance and quality sound makes it a totally distinctive unit. Manufactured from UL approved fire retardant ABS to yellow card V.O. at 1:6mm this unit can be supplied with or without transformer and firedome.

The Quickfit is also available in an 8 Ohm version.

- ★ Up to 101dB(A) at 10 Watts.
- ★ Easy to install.
- ★ 100V line transformer or 8 Ohm version available.





Specification

QUICKFIT

Rated power, Watts:	10
Maximum power, RMS, Watts:	10
Material:	ABS plastic
Colour/finish:	White
Sound pressure level, power Watts/1m, dB:	101
Sound pressure level, 1 Watt/1m, dB:	91
Nett weight alone/with transformer, Kg:	0.5/0.7 (0.8 with firedome)
Max/min ambient temperature range degrees°C:	-10 to +50
Effective frequency range, Hz:	110-12,000
Dispersion at 1000 Hz, degrees° conical:	160
Ceiling cut-out required, mm:	Ø209
Terminal:	Nylon block
Mounting:	Push clips, hinge
Transformer power tapings, Watts:	0.25, 0.5, 0.75, 1.5, 3.0, 6.0, 10.0
Input impedance standard model, Ohms:	40k, 20k, 13.33k, 6.66k, 3.33k, 1.66k, 1k
Impedance, Ohms:	8

Ordering Requirements

The following code is designed to help in the selection of the correct unit. Build up the reference number by inserting the code for each component into the appropriate box.

Model: **QUICKFIT** Options:

Option	Code
8 Ohm	8 Ohm
100V line transformer	T
100V line transformer & firedome	FT
Firedome only (8 ohm version)	F



Loudspeakers

MEDC Ltd

Colliery Road, Pinxton, Nottingham, NG16 6JF, U.K.

Tel: +44 (0)1773 864100

Fax: +44 (0)1773 582800

Sales Enq. Fax: +44 (0)1773 582830

Sales orders Fax: +44 (0)1773 582832

E-mail: sales@medc.com

Website: www.medc.com