

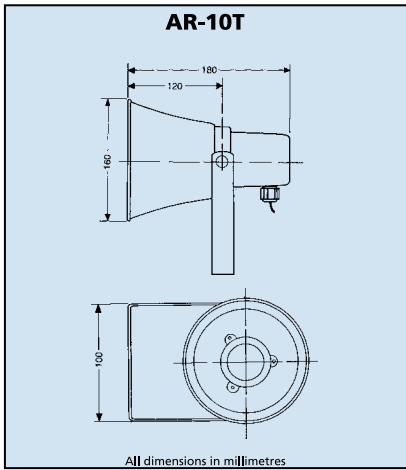


Next Two's metal horn loudspeakers are manufactured in robust spun aluminium and are designed for heavy-duty industrial use. They are coated in a tough, grey epoxy finish. The AR-30 has switchable tapings which allow the installer to adjust sound pressure levels without rewiring. Suitable for both indoor and outdoor use, these compact re-entrant horns provide high sensitivity combined with a tightly controlled dispersion pattern.

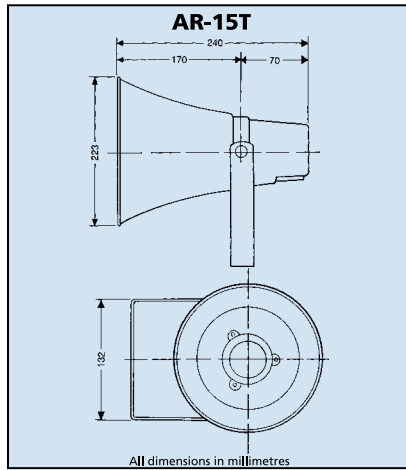
The AR-15 and AR-30 come complete with a 16mm weatherproof gland entry plate. The AR-10 is supplied with a 300mm flying lead.

- ★ Up to 125 dB(A) at 25 Watts at 1 metre.
- ★ 10, 15 & 30 Watt horn.
- ★ IP66.
- ★ Spun aluminium construction.
- ★ 100V line transformer.

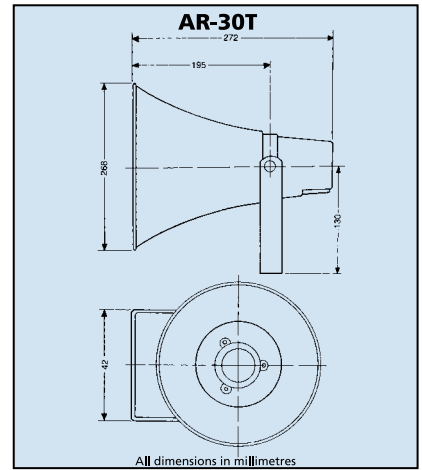




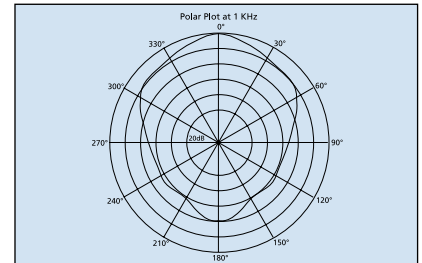
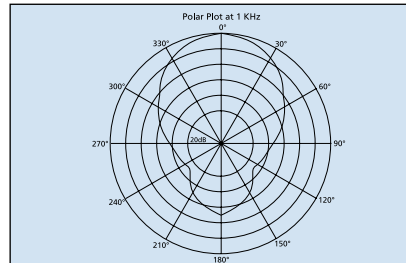
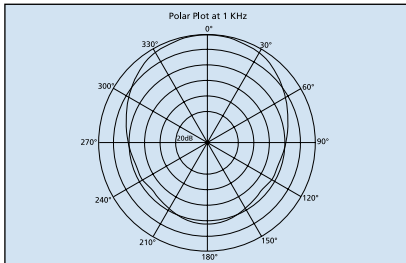
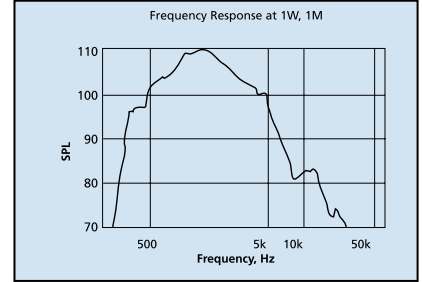
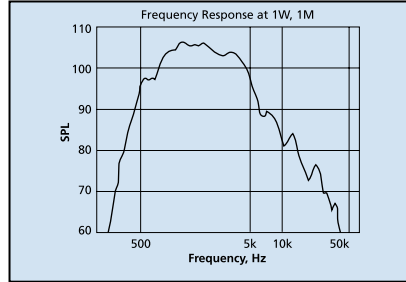
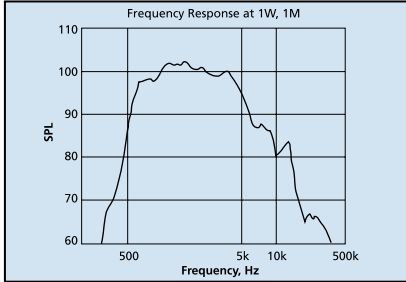
All dimensions in millimetres



All dimensions in millimetres



All dimensions in millimetres

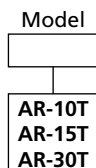


Specifications

	AR-10T	AR-15T	AR-30T
Power, Watts:	10	15	30
Material:	Aluminium	Aluminium	Aluminium
Colour/finish:	Light grey	Light grey	Light grey
Sound pressure level: at full power at 1 metre:	117	120	125
at 1 Watt at 1 metre:	107	109	110
Nett weight, Kg:	1.0	1.5	2.2
IP rating:	66	66	66
Max/min ambient temperature:	-20°C to +65°C	-20°C to +60°C	-20°C to +60°C
Effective frequency range, Hz:	350-5,000	350-6,000	325-6,000
Dispersion at 1,000hz, degrees° conical:	110	115	120
Transformer power tapings, Watts:	2.5, 5, 10	2.0, 4.0, 7.7, 15	4.0, 7.7, 15, 30
Input impedance standard model, Ω:	4k, 2k, 1k	5k, 2.5k, 1.3k, 670	2.5k, 1.3k, 670, 333
Mounting:	'U' Bracket	'U' Bracket	'U' Bracket
Cable entries:	C/w flying lead	1 x M16 gland entry plate	1 x M16 gland entry plate

Ordering Requirements

The following code is designed to help in the selection of the correct unit. Build up the reference number by inserting the code for each component into the appropriate box.



AR-10T
AR-15T
AR-30T



Loudspeakers

MEDC Ltd

Colliery Road, Pinxton, Nottingham, NG16 6JF, U.K.

Tel: +44 (0)1773 864100

Fax: +44 (0)1773 582800

Sales Enq. Fax: +44 (0)1773 582830

Sales orders Fax: +44 (0)1773 582832

E-mail: sales@medc.com

Website: www.medc.com