

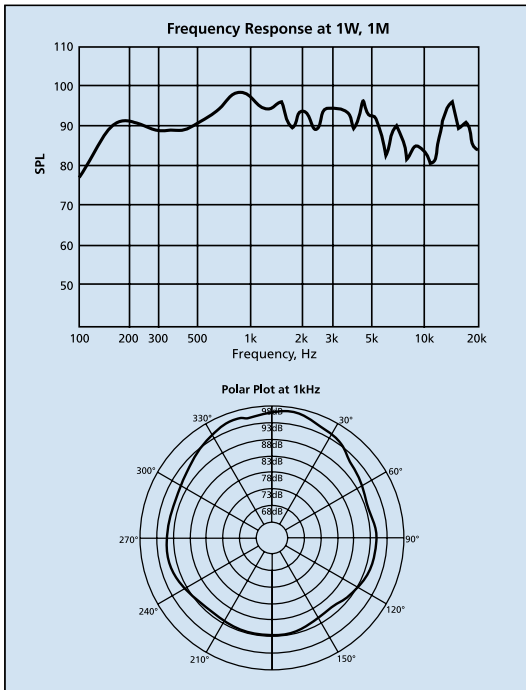
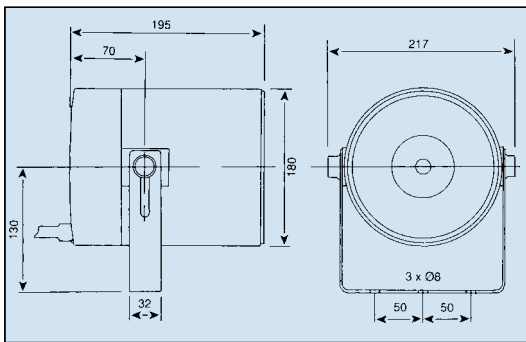


A 20 Watt cream outdoor music sound projector manufactured in ABS plastic with a metal bracket. This projector is completely weatherproof (IP54) and offers both clear speech and excellent quality background music reproduction. This unit is supplied complete with 100 volt line transformer but can also be used as an 8 ohm low impedance unit.

Supplied with 1m multicore flying lead.

- ★ Up to 108 dB(A) at 20 Watts at 1 metre.
- ★ 20 Watts.
- ★ IP54.
- ★ ABS plastic construction.
- ★ 100V line transformer.





## Specification

**MSP-20**

Rated power, Watts:	20
Material:	ABS plastic
Colour/finish:	Cream
Sound pressure level, power Watts/1m, dB:	108
Sound pressure level, 1 Watt/1m, dB:	95
Nett weight, Kg:	2.2
IP rating:	54
Max/min ambient temperature range degrees°C:	-20°C to +60°C
Effective frequency range:	150-20,000
Dispersion at 1000 Hz, degrees° conical:	120
Mounting:	Bracket
Terminal:	1m multicore flying lead
Transformer power tappings, watts:	2.5, 5.0, 10.0, 15.0, 20.0
Input impedance standard model, ohms:	4k, 2k, 1k, 666, 500
Impedance, ohms:	8

## Ordering Requirements

The following code is designed to help in the selection of the correct unit. Build up the reference number by inserting the code for each component into the appropriate box.

Model

**MSP-20**



Loudspeakers

**MEDC Ltd**

Colliery Road, Pinxton, Nottingham, NG16 6JF, U.K.

Tel: +44 (0)1773 864100

Fax: +44 (0)1773 582800

Sales Enq. Fax: +44 (0)1773 582830

Sales orders Fax: +44 (0)1773 582832

E-mail: sales@medc.com

Website: www.medc.com