



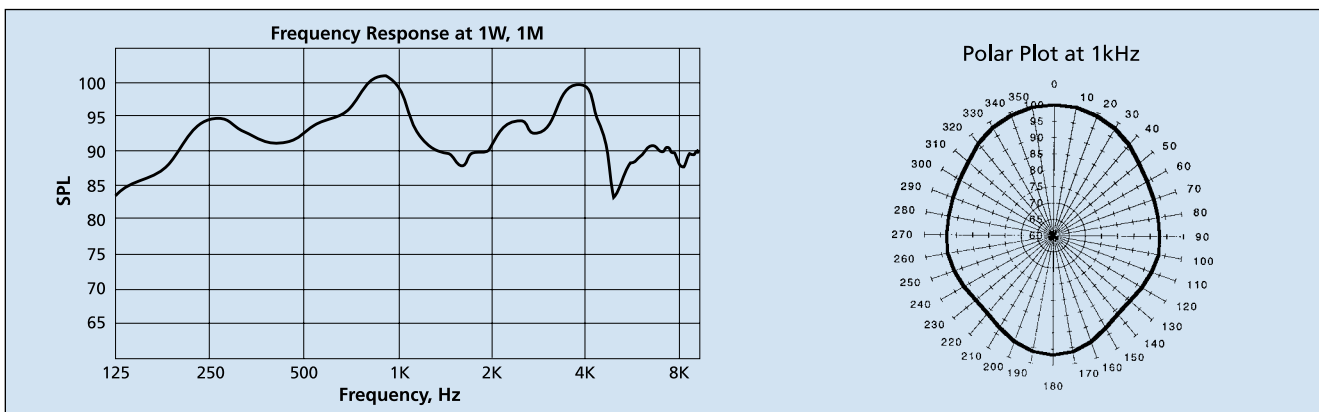
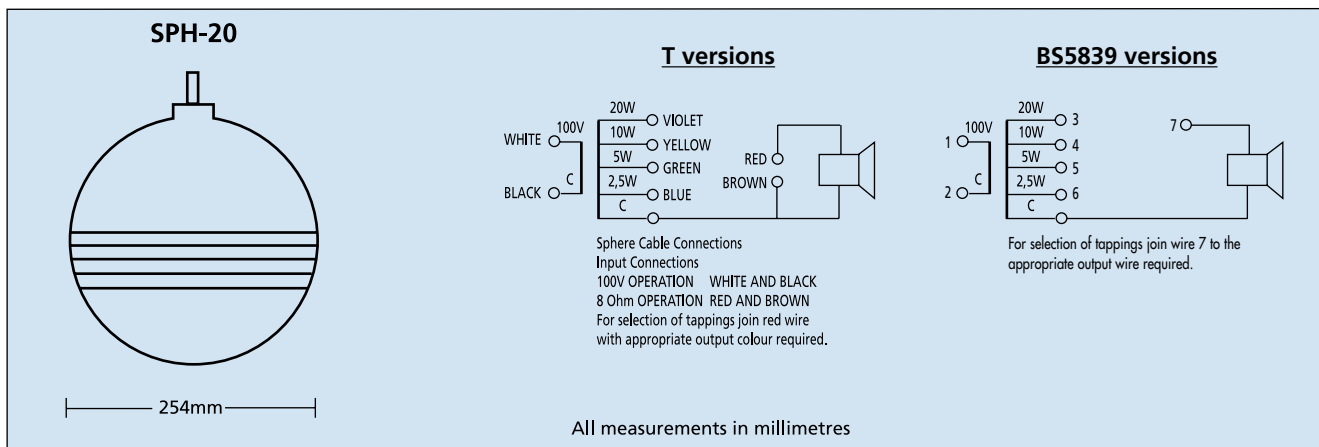
This elegant plastic sphere is the ideal system for providing high-quality sound in areas where conventional ceiling speakers are impractical. Typical applications include supermarkets, department stores and warehouses.

The unit has a smooth omni-directional dispersion pattern, which helps to reduce hot spots and dead areas.

The SPH-20 has inputs for both transformer and 8-ohm matching. It is available in either black or white and comes complete with 3m of 8-core, screened cable.

- ★ Up to 107 dB(A) at 1 metre at 20 Watts.
- ★ Up to 20 Watts.
- ★ ABS plastic.
- ★ Available in BS5839, part 8 compliant versions.
- ★ 100V line transformer or 8 ohm operation.





Specification

SPH-20

| | |
|---|-----------------------------|
| Rated power, Watts: | 20 |
| Material: | ABS Plastic |
| Colour/finish: | White/Black |
| Sound pressure level, power watts/1m, dB: | 107 |
| at 1 watt/1m, dB: | 94 |
| Nett weight, Kg: | 2.4 |
| Max/min ambient temperature: | -20°C to +50°C |
| Effective frequency range, Hz: | 100-18,000 |
| Dispersion at 1000hz, deg.: | 180 Vertical/360 Horizontal |
| Mounting: | From screened cable |
| Terminal: | 3m cable tail |
| Transformer power tapings, watts: | 2.5, 5, 10, 20 |
| Input impedance, ohms: | 4k, 2k, 1k, 500 |
| Impedance, ohms: | 8 |

Ordering Requirements

The following code is designed to help in selection of the correct unit. Build up reference number by inserting the code for each component into the appropriate box

| | | |
|--------|----------------------|----------------------|
| Model | Option | Colour |
| SPH-20 | <input type="text"/> | <input type="text"/> |

| Option | Code |
|---|-------|
| Transformer only (incl. 8 Ohm option) | T |
| BS5839, part 8 compliant (transformer only) | T PT8 |

| Description | Code |
|--------------|------|
| White Finish | W |
| Black Finish | B |



LowSpeakers

MEDC Ltd

Colliery Road, Pinxton, Nottingham, NG16 6JF, U.K.
 Tel: +44 (0)1773 864100
 Fax: +44 (0)1773 582800
 Sales Enq. Fax: +44 (0)1773 582830
 Sales orders Fax: +44 (0)1773 582832
 E-mail: sales@medc.com
 Website: www.medc.com

All the above specifications, dimensions, weights and tolerances are nominal (typical) and Next Two reserve the right to vary all data without prior notice. No liability is accepted for any consequence of use.