



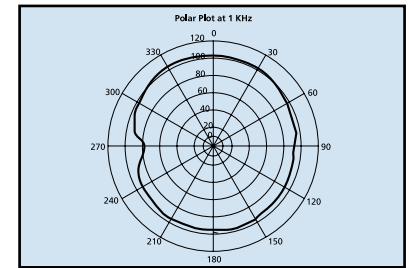
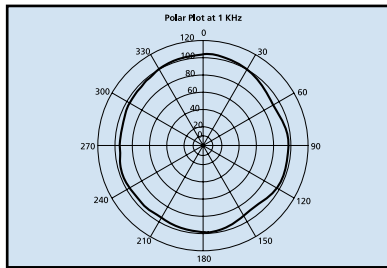
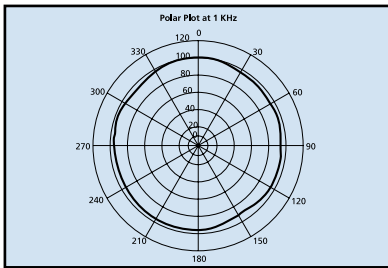
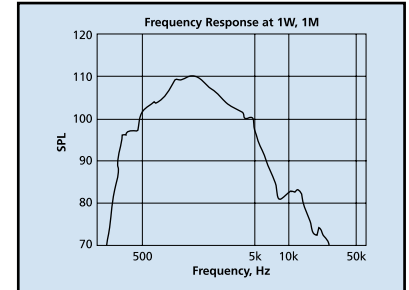
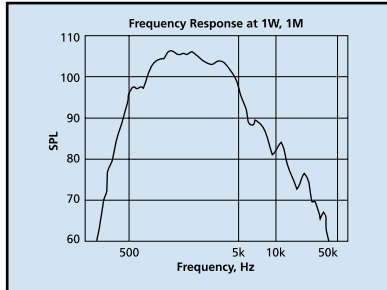
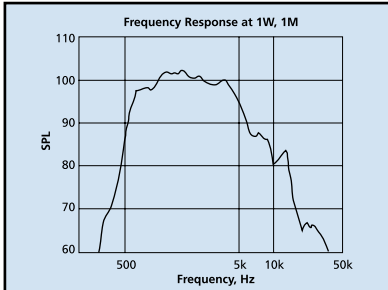
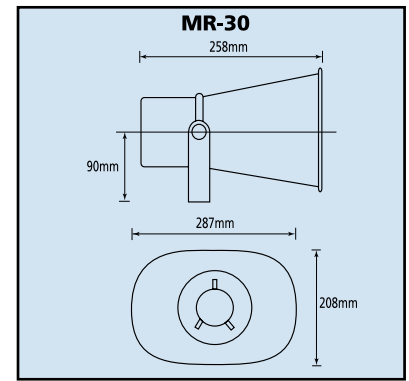
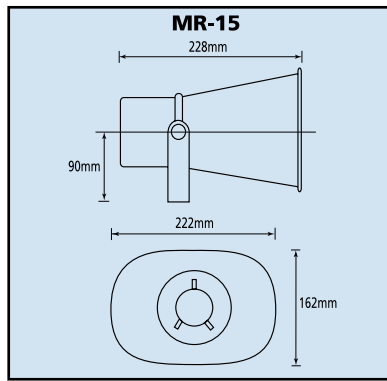
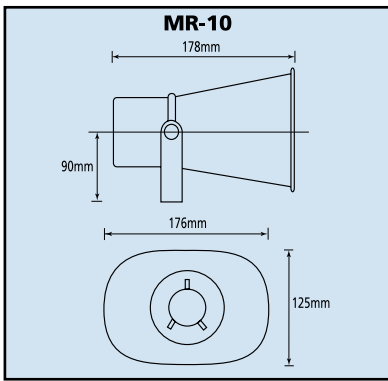
This range of lightweight, corrosion-free and weatherproof horn loudspeakers cover the spectrum of sound required for general sound reinforcement.

These highly effective units give clarity of speech and directional sound reproduction and are supplied complete with a stainless steel bracket. The ABS plastic is unaffected by most chemicals.

The units are available with or without transformer and BS5839, part 8 compliant options.

- ★ IP66.
- ★ Up to 125 dB(A) at 25 Watts at 1 metre.
- ★ 10, 15 and 30 Watt versions.
- ★ Corrosion-free ABS plastic.
- ★ Stainless steel mounting bracket.
- ★ BS5839, part 8 compliant versions available.

**NEXT™**  
**2**  
**TWO**  
*Loudspeakers*



## Specifications

<i>Power, Watts:</i>	10	15	30
<i>Colour/finish:</i>	Light cream, ABS plastic	Light cream, ABS plastic	Light cream, ABS plastic
<i>Mounting:</i>	Stainless steel 'U' bracket	Stainless steel 'U' bracket	Stainless steel 'U' bracket
<i>Sound pressure level, power Watts/1m, dB:</i>	115	119	125
<i>at 1 Watt at 1 metre, dB:</i>	105	108	110
<i>Nett weight, Kg:</i>	1.1 (with transformer)	1.3 (with transformer)	1.6 (with transformer)
<i>IP rating:</i>	66	66	66
<i>Max/min ambient temperature:</i>	-20°C to +60°C	-20°C to +60°C	-20°C to +60°C
<i>Effective frequency range, Hz:</i>	315-12,000	280-12,000	280-12,500
<i>Dispersion at 1,000hz, degrees° conical:</i>	100	106	110
<i>100V transformer power tappings, Watts:</i>	1, 3, 5, 10	1, 3, 5, 10, 15	1, 3, 5, 10, 15, 30
<i>Input impedance standard model, Ω:</i>	10k, 3.3k, 2k, 1k	10k, 3.3k, 2k, 1k, 670	10k, 3.3k, 2k, 1k, 670, 333
<i>Terminal:</i>	Gland + multicore 500mm flying lead	Gland + multicore 500mm flying lead	Gland + multicore 500mm flying lead
<i>Maximum power, RMS, Watts:</i>	10	15	30
<i>Low impedance power, Watts:</i>	10 (without transformer)	15 (without transformer)	30 (without transformer)
<i>Impedance, ohms:</i>	8 (driver imp)	8 (driver imp)	8 (driver imp)

## Ordering Requirements

The following code is designed to help in the selection of the correct unit. Build up the reference number by inserting the code for each component into the appropriate box.

Model	Option	
<input type="text"/>	<input type="text"/>	
<b>MR-10</b> <b>MR-15</b> <b>MR-30</b>	Option	Code
	100V line transformer	T
	8 Ohms only*	8 OHM
	100V line transformer & BS5839, part 8 compliant	T PT8

\*MR-10 & MR-15 only



Loudspeakers

**MEDC Ltd**

Colliery Road, Pinxton, Nottingham, NG16 6JF, U.K.

Tel: +44 (0)1773 864100

Fax: +44 (0)1773 582800

Sales Enq. Fax: +44 (0)1773 582830

Sales orders Fax: +44 (0)1773 582832

E-mail: sales@medc.com

Website: www.medc.com