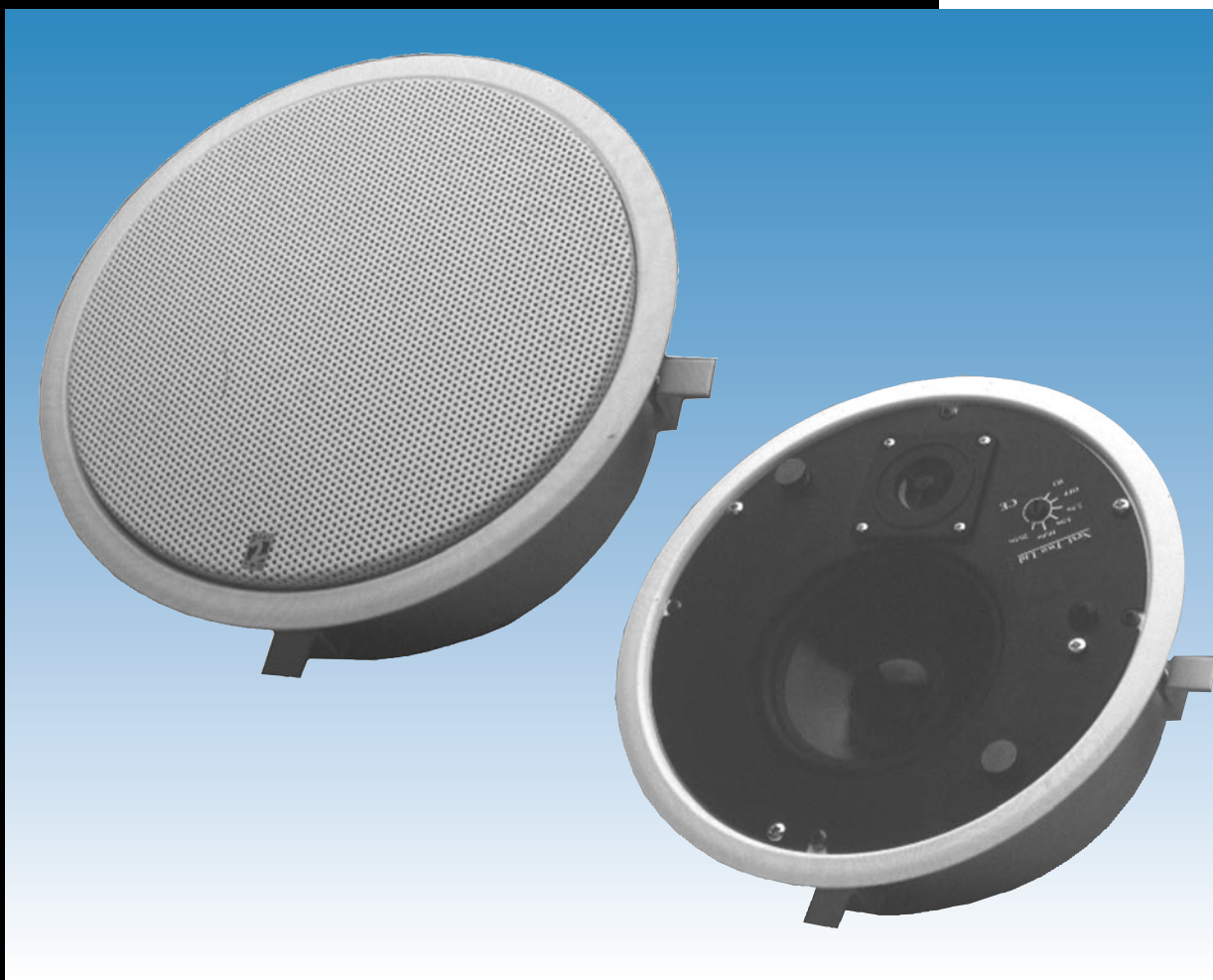


20 Watt Dual Driver Ceiling Loudspeaker



This 20 Watt 100V line (30W 8ohm) dual driver ceiling speaker is primarily aimed at installations which require excellent music and/or voice reproduction. The Sound 20 is an ideal choice for shopping centres, leisure centres, gymnasiums, hotels and other applications where high performance ceiling speakers are required. This high performance is achieved by use of a mid range driver and tweeter combination connected by a PCB mounted crossover to give a reliable wide range operation.

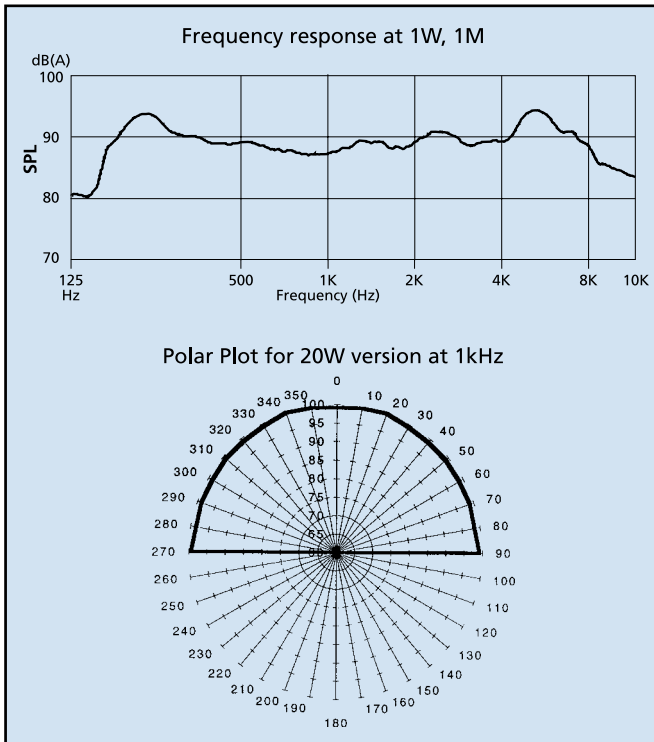
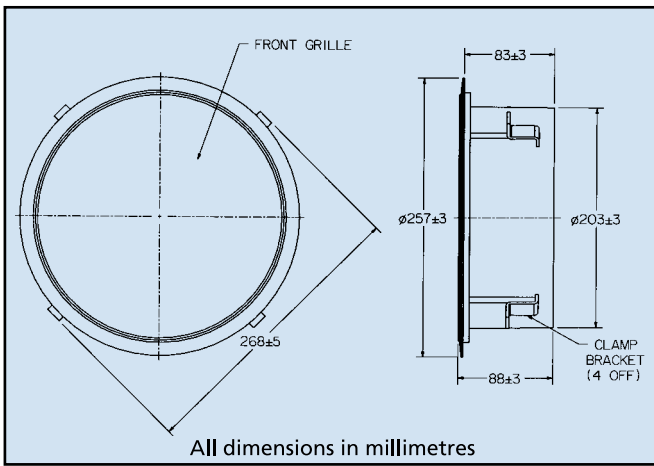
The unit design provides easy fixing from the front face. This installation method is ideal for situations where access is restricted to room side with very little access to the ceiling cavity.

The unit input/output SPL is adjusted by means of an easily accessible 6 position switch mounted on the front baffle giving 20W, 10W, 5W, 2.5W OFF, 8 ohms settings respectively. This switch is situated behind the removable front grill and can easily be adjusted after the unit has been installed.

A BS5839 part 8 compliant version for voice alarm requirements is available and comes complete with thermal fuses, high temperature wiring, ceramic terminal block and steel fire dome.

- ★ Up to 102 dB(A) at 20 Watts at 1 metre.
- ★ Selectable power up to 20 Watts.
- ★ BS5839, part 8 option available.
- ★ 100V line transformer or 8 Ohm.
- ★ Steel construction.
- ★ Removable front grill held by ferrite magnets.
- ★ Optional colours available upon request.

NEX T™
2
TWO
Loudspeakers



Specification

SOUND 20

Rated power, Watts: 8 ohms IP: 100V Line:	30 Watts (using 8 ohm IP) 20 Watts (using 100V Line)
Material:	Mild Steel
Colour/Finish:	White to RAL 9010
Sound pressure level:	89dBA at 1 Watt at 1 metre 102dBA at 20 Watts at 1 metre
Nett weight, Kg:	2.7
Max/min ambient temperature:	-20°C to +50°C
Effective frequency range, Hz:	80-20,000Hz
Dispersion at 1000hz. deg.:	160
Ceiling cutout:	Ø 235mm
Grill fixing:	Ferrite magnets for easy access
Terminations:	Nylon connection block in standard unit
Input cable entry:	2 x M20 knock outs
Output power selection:	By 6 position rotary switch
Transformer:	100V line primary tapped
Input power tapping provided:	20W, 10W, 5W, 2.5W
Input impedance:	500Ω, 1kΩ, 2kΩ, 4kΩ
Driver impedance:	8Ω
Additions to BS 5839 pt 8 unit:	High temperature cable for unit wiring Thermal fuses. ceramic terminal block.

Ordering Requirements

The following code is designed to help in the selection of the correct unit. Build up the reference number by inserting the code for each component into the appropriate box.

Model	Option								
SOUND-20	<input type="text"/>								
<table border="1"> <thead> <tr> <th>Option</th> <th>Code</th> </tr> </thead> <tbody> <tr> <td>Transformer and 8 Ohm</td> <td>T</td> </tr> <tr> <td>Transformer, BS5839, part 8 compliant</td> <td>T PT8</td> </tr> <tr> <td>8 Ohm only</td> <td>8OHM</td> </tr> </tbody> </table>		Option	Code	Transformer and 8 Ohm	T	Transformer, BS5839, part 8 compliant	T PT8	8 Ohm only	8OHM
Option	Code								
Transformer and 8 Ohm	T								
Transformer, BS5839, part 8 compliant	T PT8								
8 Ohm only	8OHM								



Loudspeakers

MEDC Ltd

Colliery Road, Pinxton, Nottingham, NG16 6JF, U.K.
 Tel: +44 (0)1773 864100
 Fax: +44 (0)1773 582800
 Sales Enq. Fax: +44 (0)1773 582830
 Sales orders Fax: +44 (0)1773 582832
 E-mail: sales@medc.com
 Website: www.medc.com

All the above specifications, dimensions, weights and tolerances are nominal (typical) and Next Two reserve the right to vary all data without prior notice. No liability is accepted for any consequence of use.