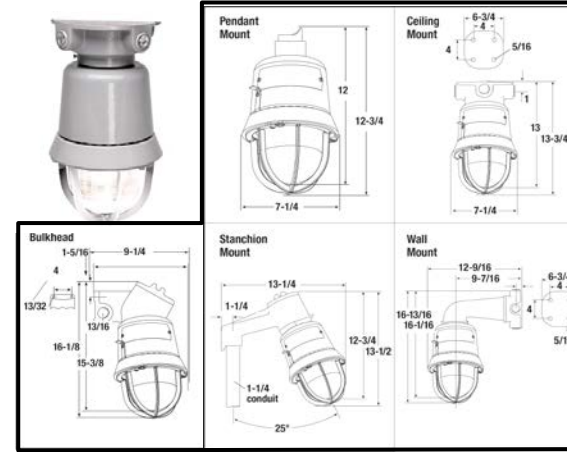




## High-performance, high-brightness EV LED luminaire – brilliantly combining safety, reliability and energy efficiency. Corpurile EV cu LED-uri de inalta performanta si inalta luminozitate – imbina inteligent siguranta, fiabilitatea si eficienta.



The world's most demanding environments need smart new lighting ideas and innovative approaches to enhancing safety. You need lighting that cuts the overall cost of ownership and improves energy efficiency. You need all of this innovation from a single source. It could only be: Cooper Crouse-Hinds®.

For more than 100 years, Cooper Crouse-Hinds has exceeded customer expectations when it comes to new ideas and technological advancements. Today, as the electrical industry's global leader for hazardous environments, we continue to reach beyond the expected – especially with our commitment to ESP (Enhancing Safety & Productivity).

### EV LED Benefits:

#### Enhance safety and productivity

- Instant illumination and restrike
- Better visibility with crisp white light
- Cold temperature operation / no warmup required
- “No lights-out” feature – if a single LED fails, circuit provides enough useable light to remaining LEDs

#### Reliable performance in any environment

- Maintains 70% lumen output through luminaire life
- Durable, vibration-resistant
- Ambient suitability for -30° to 55°C
- Factory sealed, no external seals required
- Type 4X, marine outdoor locations, IP66 rated
- Compact size (ceiling mount 13-1/4")

#### Reduce operational labor costs

- Easy installation - fixture threads onto mounting module
- T6 temperature rating – safely operate in the most hazardous environments
- Energy efficient <40 watts
- Up to 60,000 hours rated life – eliminates need for frequent lamp replacement

Cele mai solicitante medii necesita idei noi si abordari inovatoare pentru sporirea sigurantei. Este cautata solutia de iluminat care scade costul total in functionare si imbunatateste eficienta energetica. Aveti nevoie de aceasta inovatie de la o singura sursa. Aceasta poate fi doar: Cooper Crouse-Hinds®.

De mai mult de 100 de ani, Cooper Crouse-Hinds a intrecut asteptarile clientilor in ceea ce priveste progresele tehnologice. Astazi, ca si lider global in industria echipamentelor electrice pentru mediile cu pericol de explozie, continuam sa ne autodepasim – in special cu angajamentul nostru ESP (Cresterea Sigurantei si Productivitatii).

### Beneficiile EV LED:

#### Sporirea sigurantei si a productivitatii

- Iluminare si repornire instantă
- Vizibilitate marita datorita luminii albe
- Operare la temperaturi mici / nu necesita incalzire
- Facilitatea “No lights-out” – daca un singur led se arde corcuiul asigura suficienta lumina utila ledurilor ramase.

#### Performanta de incredere in orice mediu

- Flux luminos de 70% pe toata durata de viata
- Durabilitate crescuta, rezistenta la vibratii
- Operare la temperaturi intre: -30° to 55°C
- Etansare din fabrica, fara etansari exterioare
- Tipul 4X, pt. locatii marine exterioare, IP66
- Dimensiuni compacte(montaj pe tavan 13-1/4")

#### Reducerea Costurilor Operationale

- Instalare usoara – corpul se insurubeaza in modulul de montaj
- Operare sigura in majoritatea mediilor cu pericol de explozie – T6 indice de temperatura
- Eficiente din punct de vedere energetic <40 W
- Pana la 60.000 ore durata de viata – elimina necesitatea schimbarii frecvente al lampii