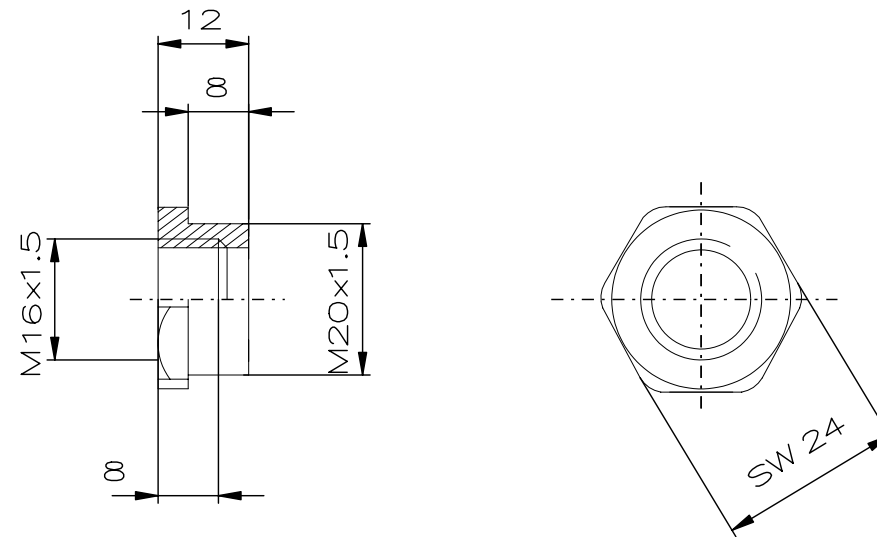




Designed with CAD-System ESP32



"Schutzvermerk nach DIN 34 beachten" / "Copyright reserved"

Description: Ex-e plastic reducer M20 x 1,5/M16 x 1,5

Beschreibung: Ex-e Kunststoff-Reduzierung M20 x 1,5/M16 x 1,5



| | | | | | | |
|----------------------|---------------------------|--------------------|-------------------|---------------------------|--------------------------------------|------------------------------------|
| | | | | Date/ Datum | 27.10.2008 | Material-No./ Material-Nr.: |
| | | | | Expert/ Bearbeiter | Röther | |
| Rev.st/ Zust. | Revision/ Änderung | Date/ Datum | Name/ Name | | 1:1 | GHG9601946R0071 |
| | | | | | Dimension unit: mm Maßeinheit: mm | |

1 2 3 4 5 6 7 8 6