

Mini-control switch

Technical data

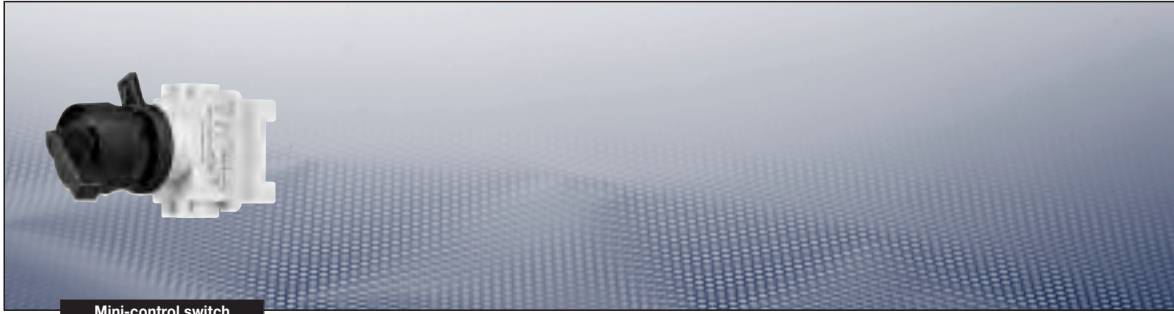
Ex-Control and signal units for panel mounting

Mini-Control switch Type 418 8190

Marking to 94/9/EC	Ⓔ II 2 G Ex ed IIC T6 / Ⓔ I M 2 Ex de I			
EC-Type Examination Certificate	PTB 97 ATEX 1081 U PTB 99 ATEX 1034 ¹⁾			
Permissible ambient temperature	-20 °C to +40 °C -55 °C to +55 °C (option)			
Rated voltage	500 V AC			
Rated current	16 A			
Rated current gold contacts	0.4 A			
Switch rating	AC 15 DC 13	250 V/6 A 24 V/6 A	500 V/4 A 60 V/0.8 A	110 V/0.5 A
Connecting terminals	2 x 2.5 mm ²			
Degree of protection accd. EN 60529	IP66 ¹⁾			
Dimensions (L x W x H)	approx. 59 x 31 x 45 mm			
Weight	0.15 kg			
Type of mounting	Ø 30.5 mm fixing hole			
Enclosure colour	grey			

¹⁾ If protective covers are used

Ex-Control and signal units



Mini-control switch

Ordering code for Component (Code 2) Code A - B - C - D

A	B	C	D	E
GHG 418 819	- R	-	-	-

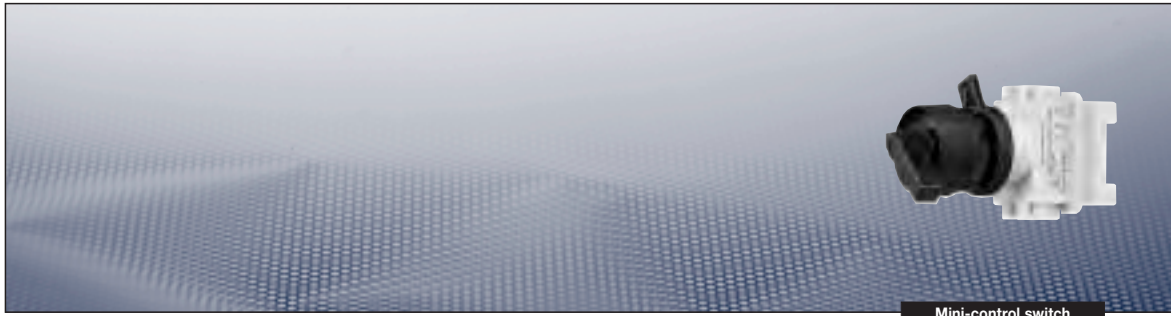
Code	Component	Code
A	Mini-Control Switch	GHG 418 819

Code	Switch mechanism	Code
B	spring - engaging - engaging	4
	engaging - engaging - engaging	5
	engaging - engaging	6
	spring - engaging - engaging	7
	engaging - engaging - spring	8

Code	Contact material	Code
C	silver	0
	gold	1

Code	Contact system	Contacts	Code
D			0
			1
			2
			3
			5
			7

Code	Contact lable	Inscription	Code	Inscription	Code
E		0	I 01	HAND 0	AUTO 15
		I	II 02	AUF AUS	ZU 16
		STOP	START 03	HAND AUS	AUTO 17
		HAND	AUTO 04	0 I	II 18
		SENKEN	HEBEN 05	AUS AUTO	EIN 19
		REMOTE	LOCAL 06	AUS HAND	AUTO 20
		I 0	II 07	ÖRTLICH AUS	FERN 21
		AUS BETRIEB	EIN 08	START NORMAL	STOP 22
		AUS 0	EIN 09	OFF 0	ON 23
		AUF 0	AB 10	HAND OFF	AUTO 24
		STOP 0	START 14	0 IN	START 25



Mini-control switch

Example for ordering code (Code 2)

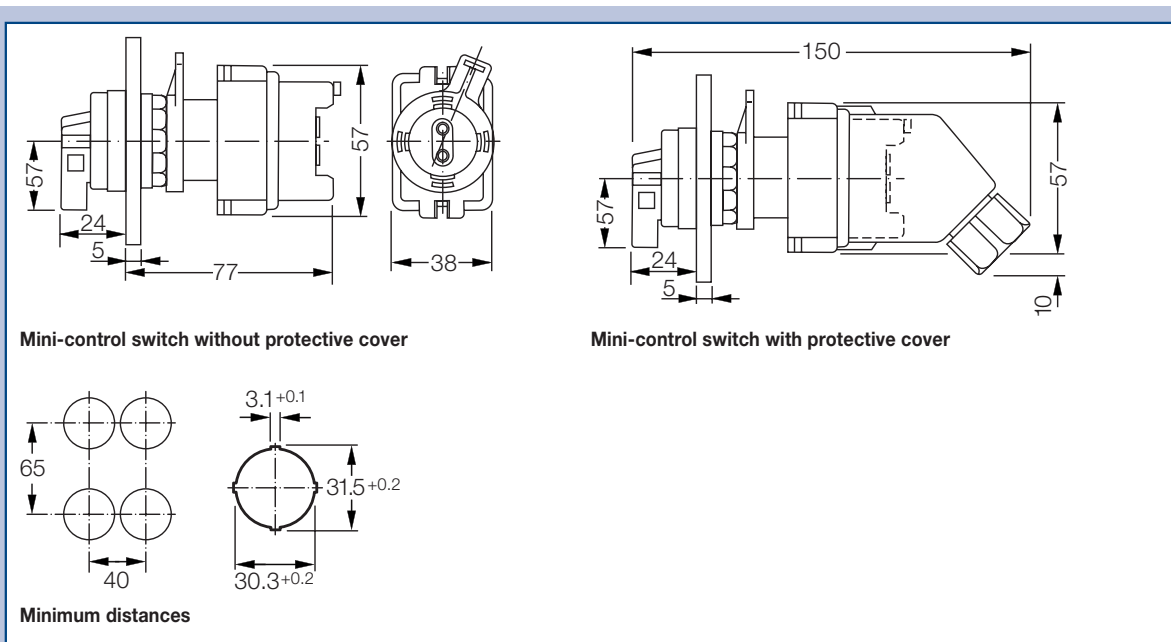
Switching mechanism	Code	Contact system	Code	Label	Order No.			
					A	B	C	D
Control switch with silver contact points, without protective cover								
Switch can be locked in all positions								
	6		0	I II	GHG 418 8190 R	6	0	02
	6		2	0 I	GHG 418 8190 R	6	2	01
	6		1	I II	GHG 418 8190 R	6	1	02
	5		3	I 0 II	GHG 418 8190 R	5	3	07
	5		5	I 0 II	GHG 418 8190 R	5	5	07
	8		7	0 I	GHG 418 8190 R	8	7	01

Accessories

Type	OU	Order No.
Protective cover to meet IP66	5	GHG 410 1939 R0002

Please note that we can only deliver in the ordering units (OU) stated in the tables above

Dimension drawing



Dimensions in mm

Cooper Crouse-Hinds © 2009 - all rights reserved

1
2
3
4
5
6
7
8
9
10
11
12