



Technical data

Ex-Control stations Type 413 84 | Type 413 85

Marking to 94/9/EC	⊕ II 2 G Ex ed ib m IIC T6 ⊕ II 2 D Ex tD A21 IP66 T80 °C
EC-Type Examination Certificate	PTB 00 ATEX 3117
IECEX Certificate of conformity	IECEX BKI 04.0003
Marking accd. to IECEx	Ex e II T6, Ex e ib IIC T6, Ec ed IIC T6 or Ex ed ib IIC T6
Permissible ambient temperature	-20 °C to +40 °C -55 °C to +55 °C (option)
Rated voltage	690 V AC (with control switch GHG 23 to 500 V)
Rated current	35 A (with control switch GHG 23 max. 10 A)
Switch rating control switch GHG 23	AC 15: 230 V/10 A / 500 V/6 A DC 13: 24 V/ 2 A / 230 V/0.4 A
Connecting terminals	2 x 4 mm ²
Insulation class	I
Degree of protection accd. EN 60529	IP66 (standard) IP65 (measuring instrument AM45, double pushbutton)
Cable glands/Gland plates/Enclosure drilling	1 x M20 threaded entry
Enclosure material	High quality cast aluminium (AlSi)
Enclosure colour	Grey RAL 7031

Type 413 84

Dimensions (L x W x H)	122 x 120 x 81 mm
Weight (empty)	0.85 kg

Type 413 85

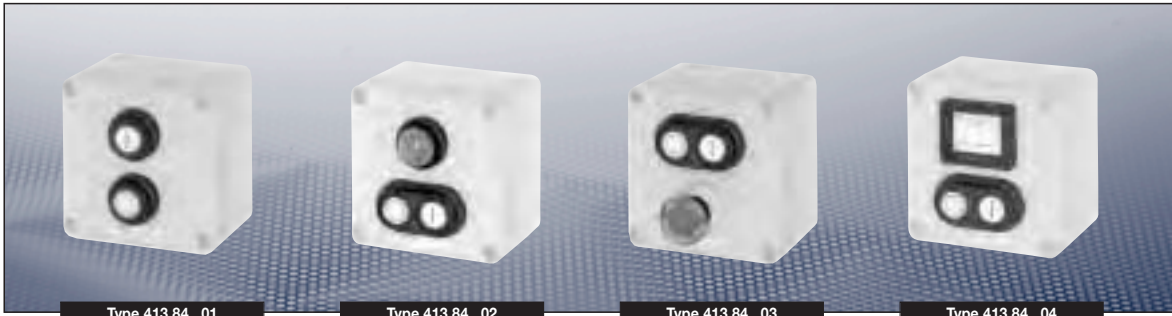
Dimensions (L x W x H)	122 x 120 x 81 mm
Weight (empty)	1.45 kg

Type 413 84 with measuring instrument AM 72

	Moving iron	Moving coil
Marking to 94/9/EC	⊕ II G EEx e II	⊕ II G EEx ib IIC
Accuracy	Class 2.5	Class 1.5
Overload range	10-fold -25 sec. 25-fold - 4 sec. 50-fold - 1 sec. indicated 1:1.5	10-fold -5 sec.
Measuring range	n / 1A 0 - 25 A direct	0 - 20 mA 4 - 20 mA
Li	-	max. 0.1 mH
Ci	-	max. 0.1 nF
Ui	-	max. 30 V
Ii	-	max. 150 mA
Connecting terminals	2 x 1.5 - 4 mm ²	
Weight	1.25 kg	

¹⁾ Base enclosure can be rotated afterwards (entry from top or down)
Other versions available on request

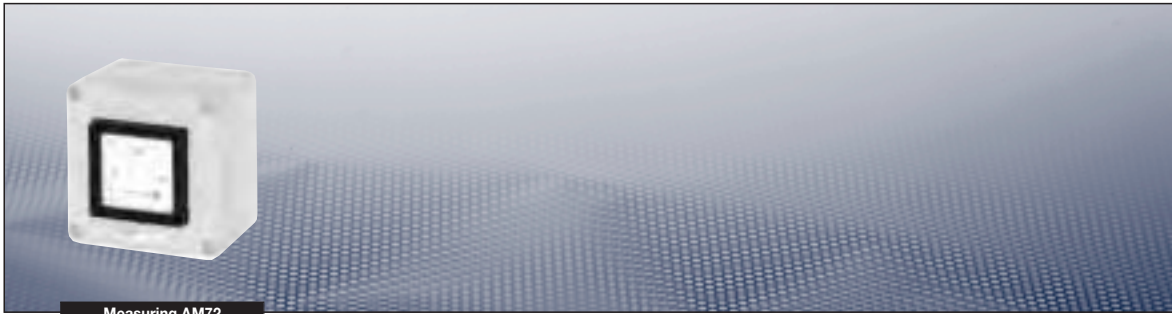
Ex-control stations



Ordering details type 413 84 with 2 built-in components

Version	Built-in components	Weight approx.	Order No.
	2 x pushbutton DRT 1 NO + 1 NC each label: "0, I, START, STOP"	1.25 kg	GHG 413 8400 R0001
	1 x signal lamp SIL 20-250 V AC/DC coloured lens cover: "white, red, green, yellow" 1 x double pushbutton DDT 1 NO + 1 NC label: "0, I, START, STOP"	1.30 kg	GHG 413 8400 R0002
	1 x double pushbutton DDT 1 NO + 1 NC label: "0, I, START, STOP" 1 x mushroom-head pushbutton SGTE 1 NO + 1 NC "Emergency stop"	1.30 kg	GHG 413 8400 R0003
	1 x measuring instrument AM45 CT connection n/1A Scale 0-100%/150% 1 x double pushbutton DDT 1 NO + 1 NC label: "0, I, START, STOP"	1.35 kg	GHG 413 8400 R0004

Ex-control stations

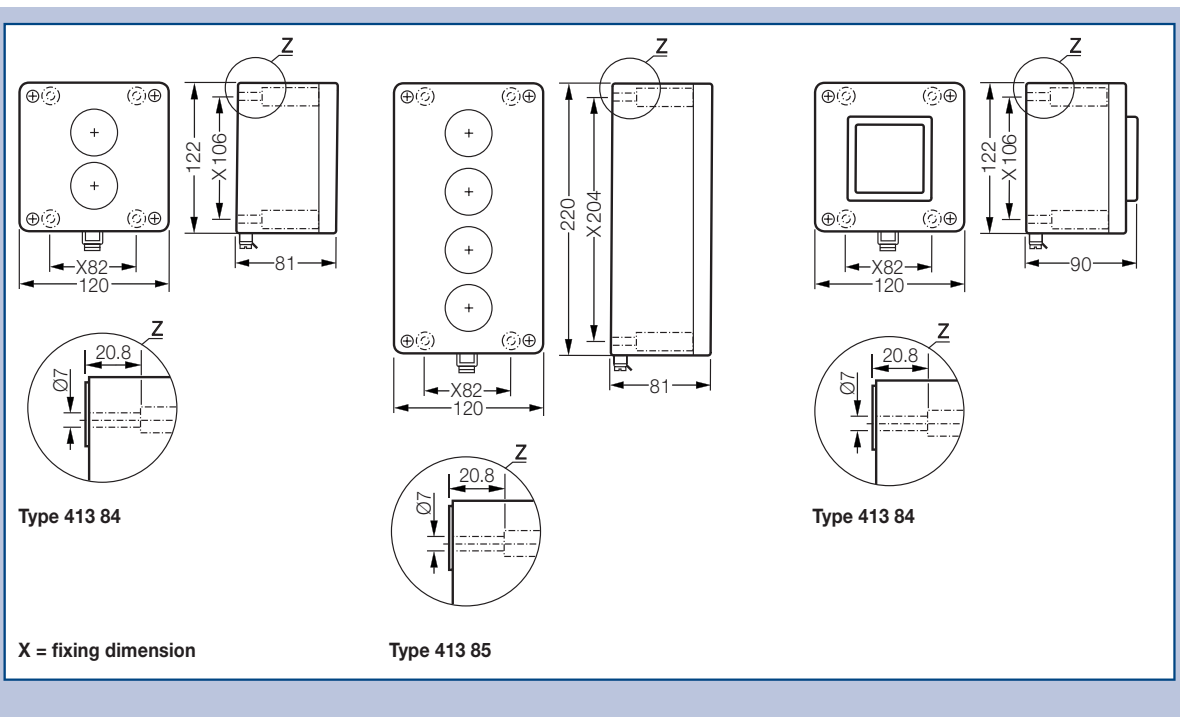


Measuring AM72

Ordering details type 413 84 with measuring instrument AM72

Version	Weight approx.	Order No.
Version direct measurement with 1 x threaded entry M20		
0 - 1 / 1.5 A	1.25 kg	GHG 413 8481 R0002
0 - 2.5 / 3.75 A	1.25 kg	GHG 413 8481 R0003
0 - 5 / 7.5 A	1.25 kg	GHG 413 8481 R0004
0 - 10 / 15 A	1.25 kg	GHG 413 8481 R0005
0 - 16 / 24 A	1.25 kg	GHG 413 8481 R0007
0 - 20 / 24 mA 0-100% / 120% (Ri =320 Ω)	1.35 kg	GHG 413 8481 R0033
4 - 20 / 24 mA 0-100% / 120% (Ri =320 Ω)	1.35 kg	GHG 413 8481 R0035
Version CT connection n/1A with 1 x threaded entry M20		
0 - 1 / 1.5 A	1.25 kg	GHG 413 8482 R0002
0 - 2.5 / 3.75 A	1.25 kg	GHG 413 8482 R0003
0 - 5 / 7.5 A	1.25 kg	GHG 413 8482 R0004
0 - 10 / 15 A	1.25 kg	GHG 413 8482 R0005
0 - 15 / 22.5 A	1.25 kg	GHG 413 8482 R0007
0 - 20 / 30 A	1.25 kg	GHG 413 8482 R0008
0 - 30 / 45 A	1.25 kg	GHG 413 8482 R0009
0 - 40 / 60 A	1.25 kg	GHG 413 8482 R0010
0 - 50 / 75 A	1.25 kg	GHG 413 8482 R0011
0 - 60 / 90 A	1.25 kg	GHG 413 8482 R0012
0 - 75 / 112.5 A	1.25 kg	GHG 413 8482 R0013
0 - 100 / 150 A	1.25 kg	GHG 413 8482 R0014
0 - 100% / 150%	1.25 kg	GHG 413 8482 R0033

Dimension drawing



Dimensions in mm