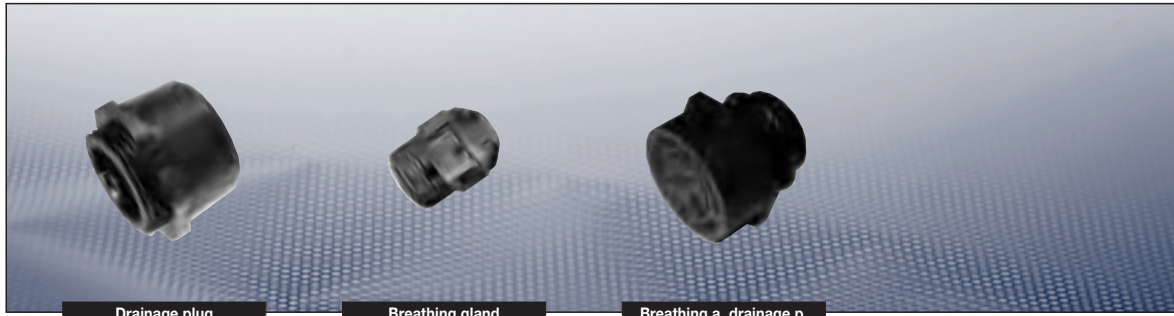


Ex-cable glands



Drainage plug

Breathing gland

Breathing a. drainage p.

Technical data

Ex-e Drainage plug

Marking to 94/9/EC	⊕ II 2 G Ex e II
EC-Type Examination Certificate	PTB 01 ATEX 1128 X
Permissible ambient temperature	-20 °C to +40 °C
Degree of protection accd. EN 60529	IP55
Enclosure material	Polyamide

Ex-e Breathing plug

Marking to 94/9/EC	⊕ II 2 G Ex e II / ⊕ II 2 D Ex tD A21 IP6X
EC-Type Examination Certificate	PTB 01 ATEX 1018
IECEX Certificate of conformity	IECEX PTB 06.0028
Marking accd. to IECEx	Ex e II / Ex tD A21 IP6X
Permissible ambient temperature	-20 °C to +70 °C
Degree of protection accd. EN 60529	IP64/IP66
Enclosure material	Polyamide

Ex-e Breathing and drainage plug

Marking to 94/9/EC	⊕ II 2 G Ex e II
EC-Type Examination Certificate	SIRA 99 ATEX 3050 U
Permissible ambient temperature	-50 °C to +85 °C
Degree of protection accd. EN 60529	IP66
Enclosure material	Glass filled Polyamide

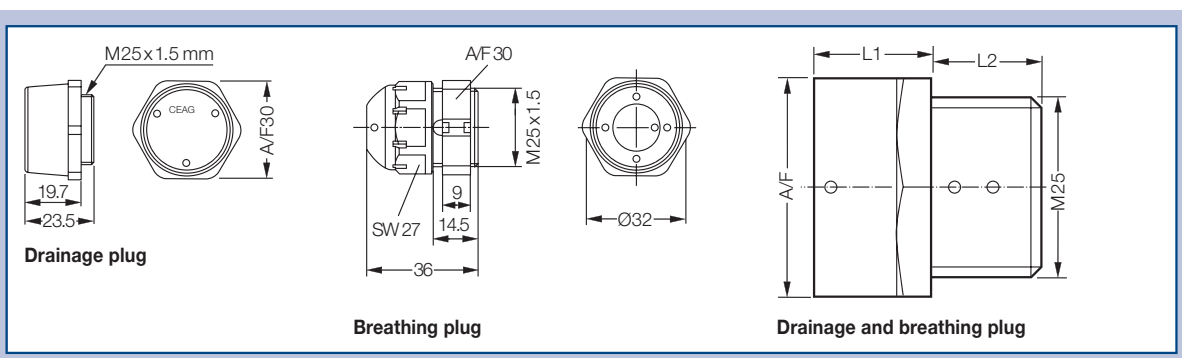
Ordering details

Type	Thread	A/F mm	L1 mm	L2 mm	Weight approx. kg	OU	Order No.
Drainage plug	M25 x 1.5	30	19	4.5	0.011	20	GHG 960 1927 R0105
Breathing plug	M25 x 1.5	27	21.5	14.5	0.01	20	GHG 960 1954 R0004
Breathing and Drainage plug	M25 x 1.5	40	17	15	0.03	20	GHG 960 1954 R0002

The order No. will show 1 pcs.

Please note that only order units (OU) can be ordered.

Dimension drawing



Dimensions in mm