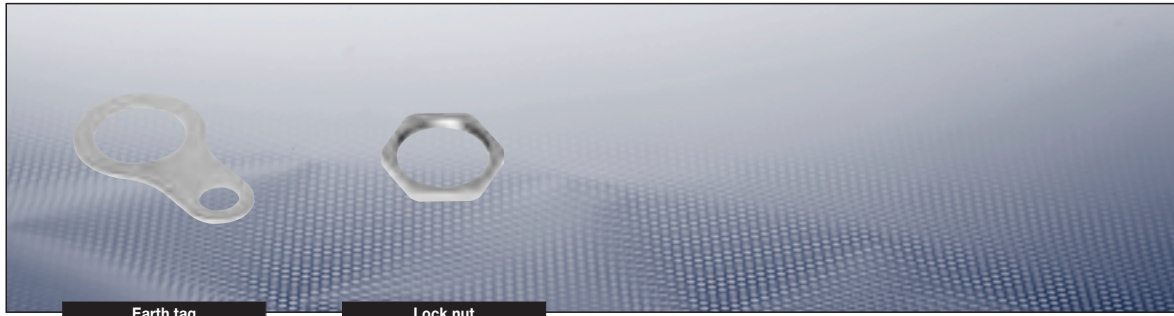


Ex-cable glands



Earth tag

Lock nut

Accessories for cable glands type ADL

Ordering details earth tags for cable glands

Thread ISO/NPT	Dimensions					Weight approx. kg	OU	Order No.
	A mm	B mm	ØC mm	ØD mm	E mm			
M12 x 1.5 ISO	48.75	30	6.75	24.5	13	0.008	10	CAP 567 024
M16 x 1.5 ISO	48.75	30	6.75	24.5	13	0.008	10	CAP 567 034
M20 x 1.5 ISO	53.8	33	7	28.6	13	0.008	10	CAP 567 054
M25 x 1.5 ISO	61.5	36	10.5	34	17	0.011	10	CAP 567 074
M32 x 1.5 ISO	73	41	12.2	42	22	0.015	10	CAP 567 094
M40 x 1.5 ISO	86.5	44.5	13.5	54	30	0.025	10	CAP 567 124
M50 x 1.5 ISO	111.5	58	13.5	67	40	0.041	10	CAP 567 154
M63 x 1.5 ISO	125.5	67	13.5	77	40	0.044	10	CAP 567 184
3/8" NPT	53.8	33	7	28.6	13	0.008	10	CAP 567 044
1/2" NPT	61.5	36	10.5	34	17	0.008	10	CAP 567 064
3/4" NPT	73	41	12.2	42	22	0.008	10	CAP 567 084
1" NPT	73	41	12.2	42	22	0.011	10	CAP 567 104
1 1/4" NPT	86.5	44.5	13.5	54	30	0.015	10	CAP 567 134
1 1/2" NPT	111.5	58	13.5	67	40	0.025	10	CAP 567 154
2" NPT	125.5	67	13.5	77	40	0.041	10	CAP 567 174
2 1/2" NPT	137.5	73	13.5	89	40	0.044	10	CAP 567 194

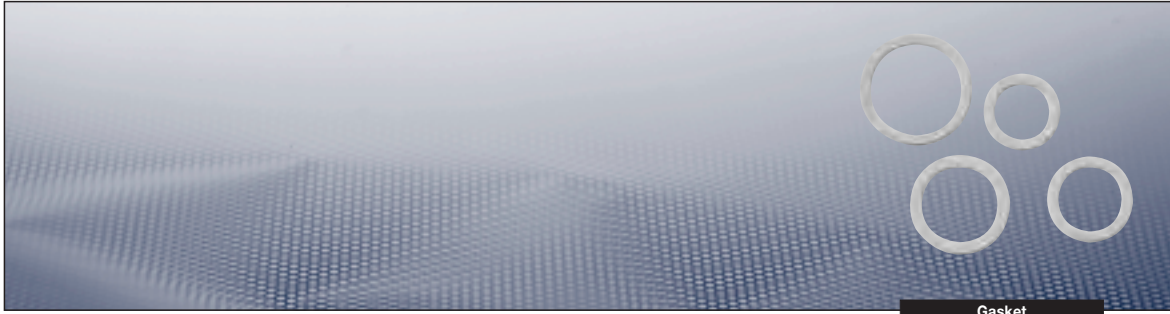
Ordering details lock nuts

Thread ISO/NPT	A/F mm	L mm	OU	Order No.
M12 x 1.5 ISO	14	2.8	10	CAP 221 294
M16 x 1.5 ISO	18	2.8	10	CAP 221 694
M20 x 1.5 ISO	23	3.0	10	CAP 222 094
M25 x 1.5 ISO	28	3.0	10	CAP 222 594
M32 x 1.5 ISO	36	3.5	10	CAP 223 294
M40 x 1.5 ISO	44	4.0	10	CAP 224 094
M50 x 1.5 ISO	54	5.0	10	CAP 225 094
M63 x 1.5 ISO	70	6.0	10	CAP 226 394
1/4" NPT	16	2.8	10	CAP 280 104
3/8" NPT	20	2.8	10	CAP 280 114
1/2" NPT	24	3.5	10	CAP 280 124
3/4" NPT	30	3.5	10	CAP 280 134
1" NPT	37	4.5	10	CAP 280 144
1 1/4" NPT	47	4.5	10	CAP 280 154
1 1/2" NPT	52	5.0	10	CAP 280 164
2" NPT	64	5.5	10	CAP 280 174
2 1/2" NPT	77	6.5	10	CAP 280 184
3" NPT	95	8.0	10	CAP 280 194
3 1/2" NPT	110	10.0	10	CAP 280 204
4" NPT	120	11.0	10	CAP 280 214

Cable glands with PG-thread are available on request.

The order No. will show 1 pcs.

Please note that only order units (OU) can be ordered.



Gasket

Accessories for cable glands type ADL

Ordering details gaskets for cable glands

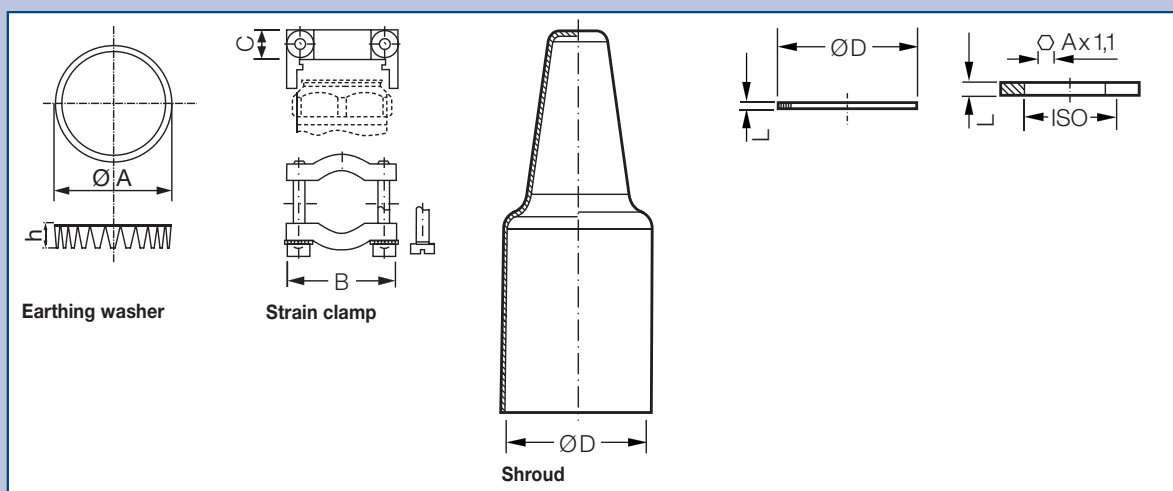
Thread ISO/NPT	Ø D mm	L mm	OU	Order No.
M12 x 1.5 ISO	18	1.2	10	CAP 221 249
M16 x 1.5 ISO	22	1.2	10	CAP 221 649
M20 x 1.5 ISO	24	1.2	10	CAP 222 049
M25 x 1.5 ISO	30	1.5	10	CAP 222 549
M32 x 1.5 ISO	42	1.5	10	CAP 223 249
M40 x 1.5 ISO	52	1.5	10	CAP 224 049
M50 x 1.5 ISO	63	1.5	10	CAP 225 049
M63 x 1.5 ISO	77	2.0	10	CAP 226 349
1/4" NPT	20	1.5	10	CAP 229 014
3/8" NPT	22	1.5	10	CAP 229 038
1/2" NPT	27	1.5	10	CAP 229 012
3/4" NPT	33	1.5	10	CAP 229 034
1" NPT	41	1.5	10	CAP 229 010
1*1/4 NPT	52	1.5	10	CAP 229 114
1*1/2 NPT	57	1.5	10	CAP 229 112
2" NPT	71	2.0	10	CAP 229 020
2*1/2 NPT	85	2.0	10	CAP 229 212
3" NPT	104	2.0	10	CAP 229 300
3*1/2 NPT	120	2.0	10	CAP 229 312

Cable glands with PG-thread are available on request.

The order No. will show 1 pcs.

Please note that only order units (OU) can be ordered.

Dimension drawing



Dimensions in mm