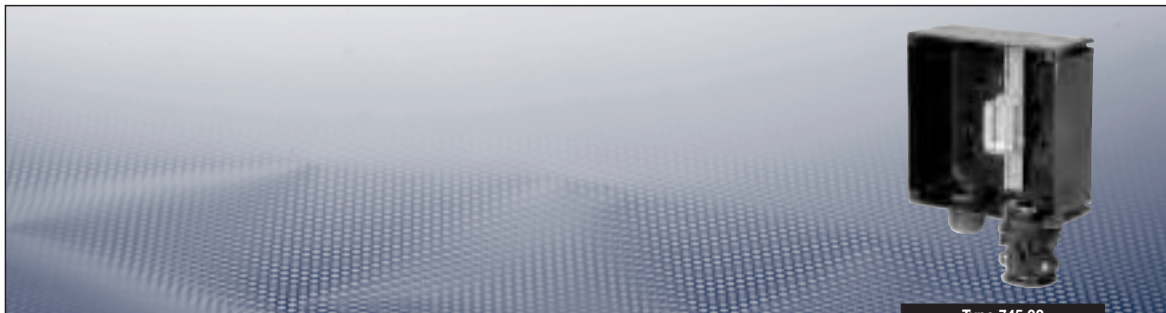


**| Ex-Intermediate motor terminal boxes 35 mm<sup>2</sup>/70 mm<sup>2</sup> |**



Type 745 02

**Technical data**

**Type 745 02**

Marking to 94/9/EC	⊕ II 2 G Ex de ia/lb [ia/lb] m IIC T6 / ⊕ II 2 D Ex tD A21 IP66 T80 °C
Permissible ambient temperature	-20 °C to +40 °C
EC-Type Examination Certificate	PTB 99 ATEX 1044
IECEX certificate of conformity	IECEX BKI 07.0034
Marking accd. to IECEx	Ex ed ia/lb m [ia/lb] IIC T4 – T6 Ex tD A21 IP66 T80 °C
Rated voltage	up to 690 V
Rated current	depends on terminal mounting
Degree of EN 60529	IP66
Enclosure material	Glass-fibre reinforced polyester
Terminal cross section	up to 35 mm <sup>2</sup> or max. 70 mm <sup>2</sup>
Weight	745 0201 R0002 approx. 3.0 kg / 745 0201 R0003 approx. 3.2 kg

**Ordering details**

Type	Cable gland	No. of terminals	Order No.
Type 745 02 mounted with screw terminals 2 x 35 mm <sup>2</sup> + 1 x PE-terminal 2 x 35 mm <sup>2</sup>			
Ex-e	1 x M50 for cable Ø 21-35 mm 1 x M63 trumpet-shaped gland for cable Ø 35-46 mm	4 x Ex-e 1 x PE	<b>GHG 745 0201 R0002</b>

Type	Cable gland	No. of terminals	Order No.
Type 745 02 mounted with screw terminals 2 x 50/70 mm <sup>2</sup> + 1 x PE-terminal 2 x 50/70 mm <sup>2</sup>			
Ex-e	1 x M50 for cable Ø 21-35 mm 1 x M63 trumpet-shaped gland for cable Ø 35-46 mm	4 x Ex-e 1 x PE	<b>GHG 745 0201 R0003</b>

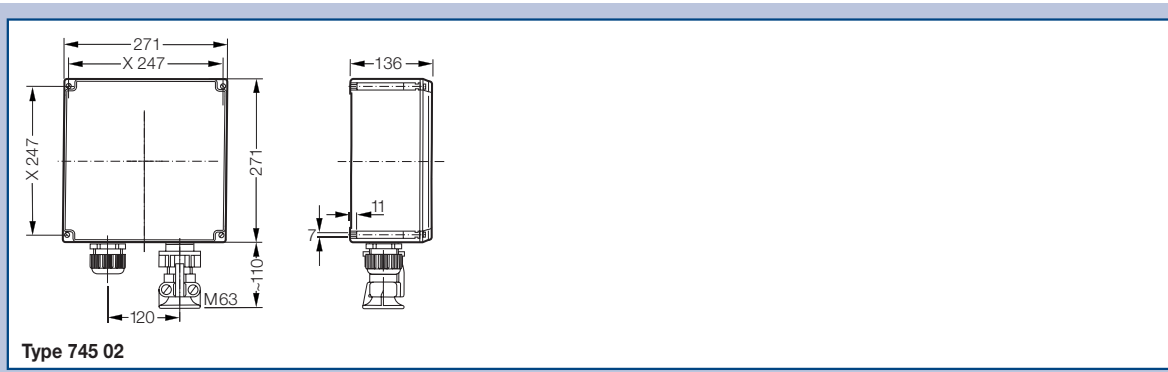
Other versions available on request.

**Accessories**

**Mounting plate for junction box 745 02**

Type	Application	Fixing method	Order No.
Size 3	Pipe mounting	screw mounting on 2 plates	<b>GHG 610 1953 R0108</b>
Protective canopy Size 3	for mounting plate size 3		<b>GHG 610 1955 R0104</b>

**Dimension drawing**



Type 745 02

Dimensions in mm

Cooper Crouse-Hinds © 2009 - all rights reserved

1  
2  
3  
4  
5  
6  
7  
8  
9  
10  
11  
12