

Type 791 02

Technical data

Type 791 02	
Marking to 94/9/EC	Ⓔ II 2 G Ex dem ia II, IIC T6 / Ⓔ II 2 D Ex tD A21 IP66 T80 °C
Permissible ambient temperature	-20 °C to +40 °C
EC-Type Examination Certificate	PTB 00 ATEX 3108
IECEX certificate of conformity	IECEX BK1 07.0034
Marking accd. to IECEX	Ex e II T6 / Ex ia IIC T6 Ex tD A21 IP66 T58 °C
Rated voltage	up to 690 V
Rated current	depends on terminal mounting
Degree of EN 60529	IP66
Enclosure material	Polyamide
Terminal cross section	up to 6 mm ²
Weight	approx. 0.7 kg

Ordering details

Type	Cable gland	No. of terminals	Order No.
Type 791 02 mounted with screw terminals 2 x 4 mm ² + 1 x PE-terminal 2 x 4 mm ²			
Ex-e	1 x M25 for cable Ø 8-17 mm	4 x Ex-e	GHG 791 0201 R0016
	1 x M32 trumpet-shaped gland for cable Ø 15-20 mm	1 x PE	

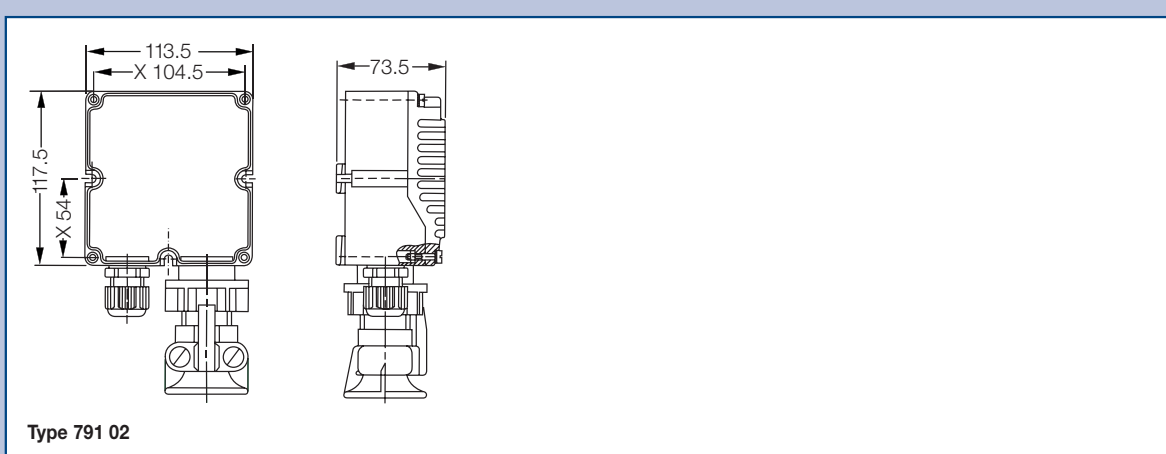
Other versions for cable Ø 15 - 20 mm available on request.

Accessories

Mounting plate for intermediate motor terminal box 791 02

Type	Application	Fixing method	Order No.
Size 2	Wall mounting	screwless mounting	GHG 610 1953 R0104
Size 2	Trellis mounting	screwless mounting	GHG 610 1953 R0106
Size 2	Pipe mounting	screwless mounting	GHG 610 1953 R0105
Protective canopy Size 2	for mounting plate size 2		GHG 610 1955 R0102

Dimension drawing



Type 791 02

Dimensions in mm