

**Technical data**

**Type C30 | Type C31**

Marking to 94/9/EC	Ⓔ II 2 G Ex d IIC T6 / Ⓔ II 2 D IP67 T 85 °C
EC-Type Examination Certificate	LOM 02 ATEX 2037 X
IECEX Certificate of Conformity	IECEX BK1 07.0026
Marking accd. to IECEX	Ex d IIC T6 Ex tD A21 IP67 T85 °C
Permissible ambient temperature	-20 °C to +55 °C
Rated voltage	690 V
Rated current (max.)	C30: 40 A / C31: 61 A
Insulation class	I
Degree of protection accd. EN 60529	IP67
Enclosure material	light alloy
Enclosure colour	natural finish

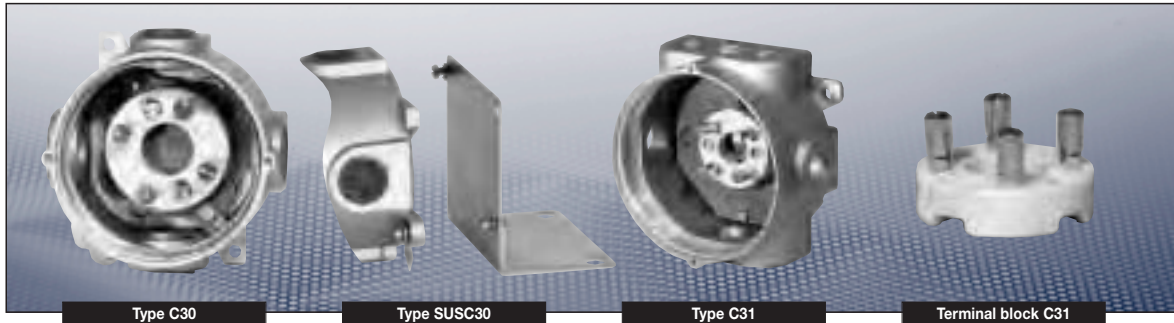
**Type C30**

Connecting terminals	up to 6 mm <sup>2</sup>
Weight	approx. 0.8 kg (empty)
Max. number of drillings/cable glands	4
Terminal mounting space on the terminal rail	45 mm

**Type C31**

Connecting terminals	up to 10 mm <sup>2</sup>
Weight	approx. 1.3 kg (empty)
Max. number of drillings/cable glands	8
Terminal mounting space on the terminal rail	82 mm

## Ex-d terminal box



### Ordering details

Type	Thread ISO 7/1 <sup>1)</sup>	No. of Terminals	Order No.
<b>Type C30</b>			
C30 T1	3 x 1/2"	–	NOR 000 001 151 181
C30 T2	3 x 3/4"	–	NOR 000 001 151 199
C30 X1	4 x 1/2"	–	NOR 000 001 151 205
C30 X2	4 x 3/4"	–	NOR 000 001 151 214

<b>Build-in components type C30</b>			
BC 30	Mounting plate with pillar terminals 4 x 4 mm <sup>2</sup>	4 x Ex-e*	NOR 000 001 151 222
PBPD 30	Terminal rail DIN 46877	Mounting rail	NOR 000 000 115 314
PC 30	Mounting plate without terminals	–	NOR 000 000 115 302

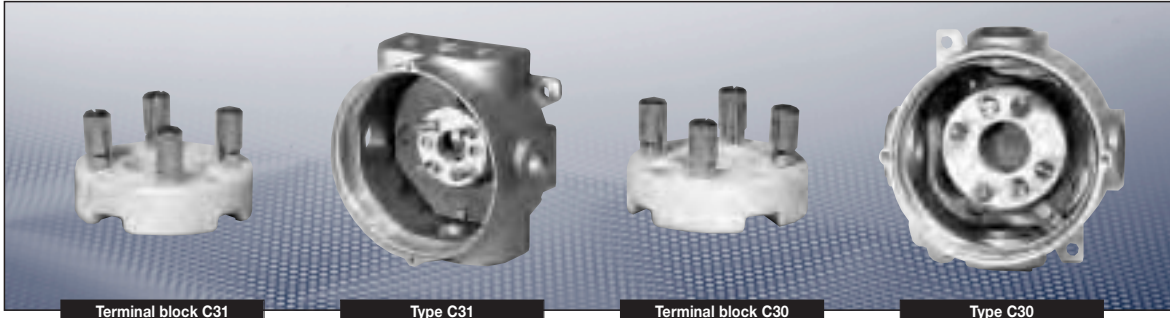
<b>Mounting angel for housing fixing type C30</b>			
SUSC 30			NOR 000 000 115 311

<b>Type C31</b>			
C31 T1	3 x 1/2"	–	NOR 000 111 150 001
C31 T2	3 x 3/4"	–	NOR 000 111 150 002
C31 T3	3 x 1"	–	NOR 000 111 150 003
C31 X1	4 x 1/2"	–	NOR 000 111 150 004
C31 X2	4 x 3/4"	–	NOR 000 111 150 005
C31 X3	4 x 1"	–	NOR 000 111 150 006

<b>Build-in components type C31</b>			
BC31	Mounting plate with pillar terminals	4 x 4 mm <sup>2</sup> *	NOR 000 111 150 009
P C31	Mounting plate without terminals	–	NOR 000 000 115 306
PBPD 31	Terminal rail DIN 46877	–	NOR 000 000 115 015

\* 4 x 4 mm<sup>2</sup> multi-wire or 2 x 6 mm<sup>2</sup> solid

<sup>1)</sup> Other threads on request



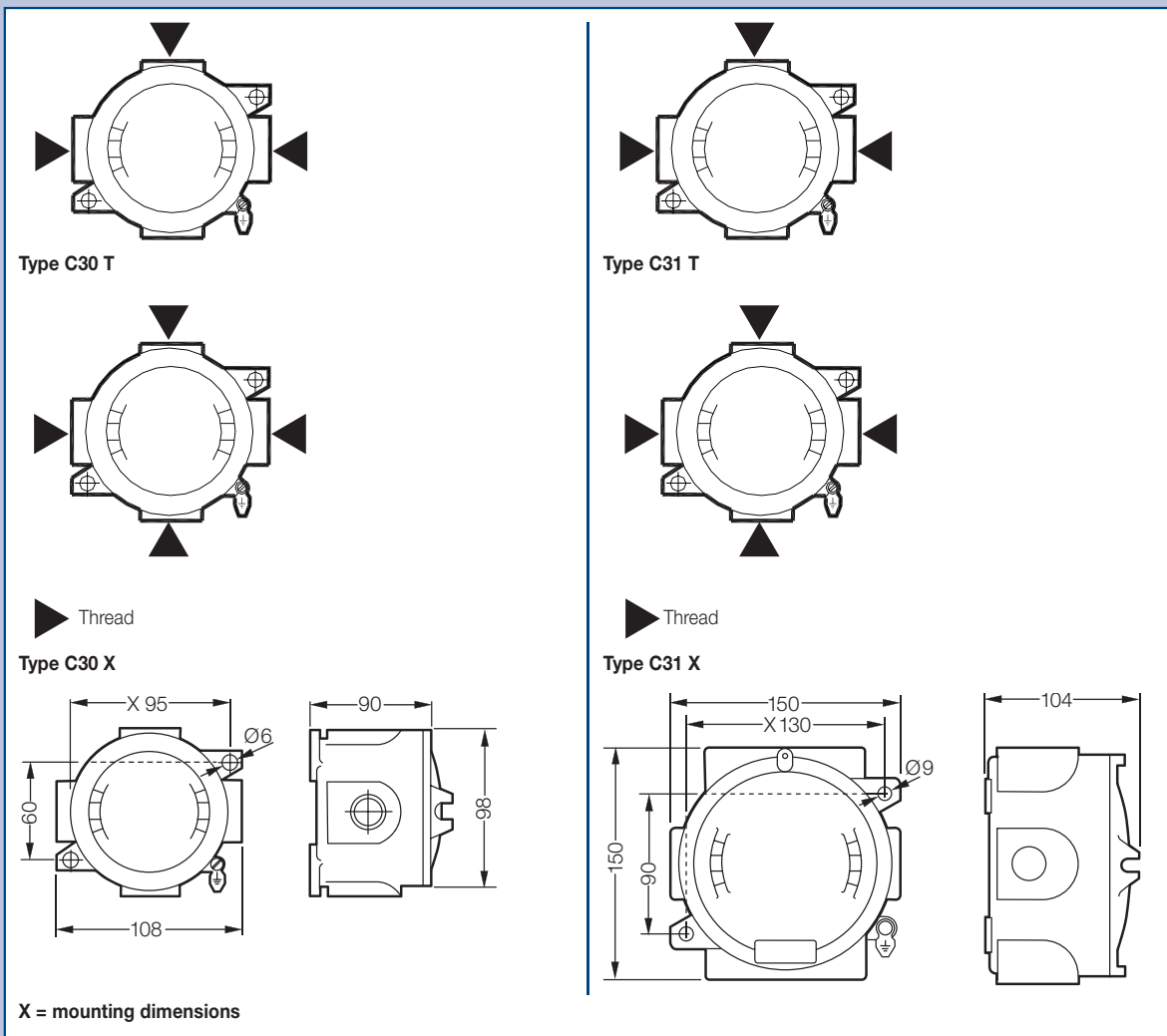
Terminal block C31

Type C31

Terminal block C30

Type C30

Dimension drawing



Cooper Crouse-Hinds © 2009 - all rights reserved

Dimensions in mm

1  
2  
3  
4  
5  
6  
7  
8  
9  
10  
11  
12