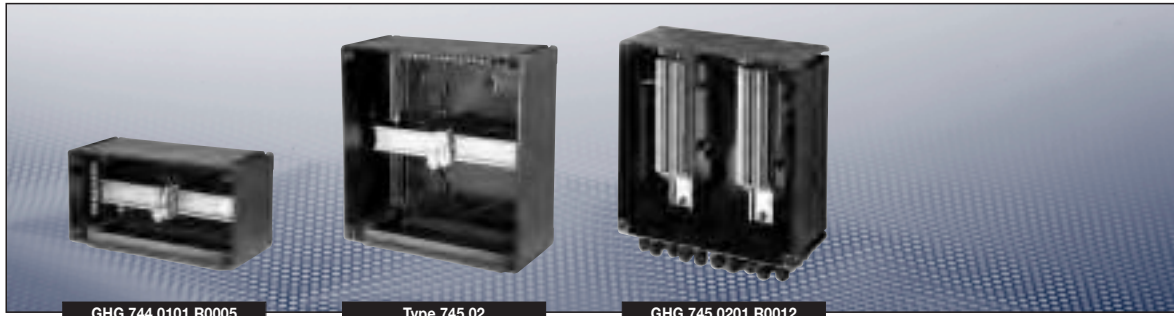


Ex-e/Ex-i terminal box



Technical data

GHG 744 01 up to 40 terminals | GHG 745 02 up to 82 terminals

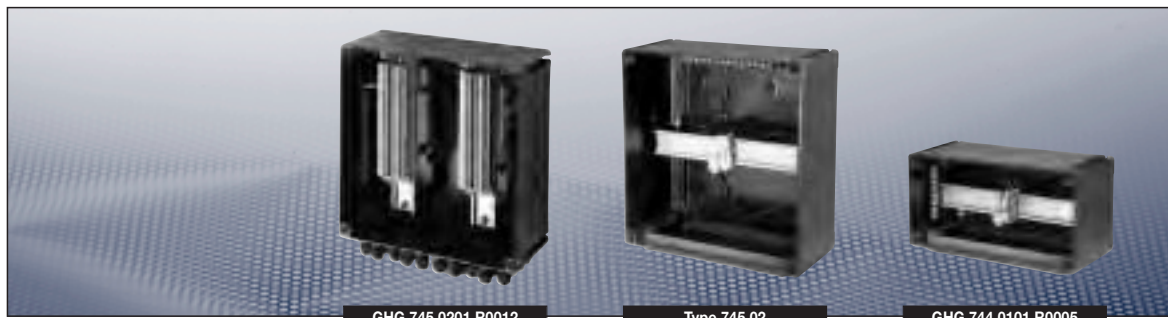
Marking to 94/9/EC	⊕ II 2 G Ex de ia/ib [ia/ib] m IIC T4 / ⊕ II 2 D Ex tD A21 IP66 T 80 °C
EC-Type Examination Certificate	PTB 99 ATEX 1044
IECEX certification of conformity	IECEX BKI 07.0023
Marking accd. to IECEX	Ex ed ia/ib m [ia/ib] IIC T4 – T6 Ex tD A21 IP66 T80 °C
Permissible ambient temperature	–20 °C to +40 °C –55 °C to +55 °C (option)
Rated voltage	690 V
Rated current	Depends on terminal mounting
Insulation class	I
Degree of protection accd. EN 60529	IP66
Enclosure material	Glass-fibre reinforced polyester
Enclosure colour	black

GHG 744 01 up to 31 terminals

Connecting terminals	up to 25 mm ²							
Dimensions (L x W x H)	271 x 134 x 136 mm							
Weight	approx. 1.5 kg							
Drillings/cable glands	M12	M16	M20	M25	M32	M40	M50	M63
Max. number down	60	36	26	18	10	7	4	3
Max. number flange plastic	46	25	20	11	8	4	3	2
Max. number flange metal	–	–	11	9	5	3	3	2
Terminal mounting space on the terminal rail	1 x 230 mm							
	2.5 mm ²	4 mm ²	6 mm ²	10 mm ²	16 mm ²	25 mm ²	35 mm ²	35 mm ²
Max. number of terminals acc. to certification	31	31	24	24	23	15	7	7

GHG 745 02 up to 82 terminals

Connecting terminals	up to 70 mm ²								
Dimensions (L x W x H)	271 x 270 x 36 mm								
Weight	approx. 2.5 kg								
Drillings/cable glands	M12	M16	M20	M25	M32	M40	M50	M63	M63
Max. number down	60	36	26	18	10	7	4	3	3
Max. number flange plastic	46	25	20	11	8	4	3	2	2
Max. number flange metal	–	–	11	9	5	3	3	2	2
Terminal mounting space on the terminal rail	2 x 230 mm								
	2.5 mm ²	4 mm ²	6 mm ²	10 mm ²	16 mm ²	25 mm ²	35 mm ²	50 mm ²	70 mm ²
Max. number of terminals acc. to certification	38	38	29	29	23	16	15	9	9



Ordering details

Design	Cable gland	No. of Terminals	Order No.
Type 744 01 up to 40 terminals assembled with screw terminals 2 x 4 mm ² + PE-rail 4 mm ²			
Ex-e	1 x plastic flange down without drilling	1 x Ex-e ¹⁾ 7 x PE	GHG 744 0101 R0005

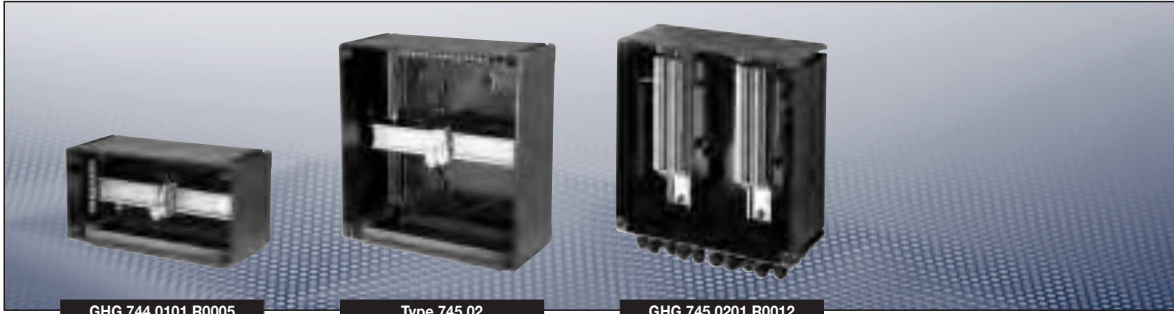
Type 745 02 up to 82 terminals assembled with screw terminals 2 x 2.5 mm ² + PE/PA-rail 4 mm ²			
Ex-e	1 x plastic flange down without drilling	1 x Ex-e ¹⁾ 14 x PE	GHG 745 0201 R0004

Type 745 02 up to 82 terminals assembled with screw terminals 2 x 2.5 mm ² + PE/PA-rail 4 mm ²			
Ex-i	1 x M40 for cable Ø 22-35 mm	60 x Ex-i	GHG 745 0201 R0012
	8 x M32 for 4 cable Ø 4.5-7 mm	27 x PE/PA	
Ex-e	1 x M40 for cable Ø 22-35 mm	60 x Ex-e	GHG 745 0201 R0013
	30 x M16 for cable Ø 5.5-10 mm	27 x PE/PA	
Ex-i	1 x M40 for cable Ø 22-35 mm	60 x Ex-i	GHG 745 0201 R0014
	30 x M16 for cable Ø 5.5-10 mm	27 x PE/PA	
Ex-e	1 x M40 for cable Ø 22-35 mm	60 x Ex-e	GHG 745 0201 R0015
	24 x M20 for cable Ø 5.5-13 mm	27 x PE/PA	
Ex-i	1 x M40 for cable Ø 22-35 mm	60 x Ex-i	GHG 745 0201 R0021
	24 x M20 for cable Ø 5.5-13 mm	27 x PE/PA	

Type 745 02 up to 82 terminals assembled with screwless terminals 2 x 2.5 mm ² + PE/PA-rail 4 mm ²			
Ex-i	1 x M40 for cable Ø 22-35 mm	60 x Ex-i	GHG 745 0201 R0016
	8 x M32 for 4 cable Ø 4.5-7 mm	27 x PE/PA	
Ex-e	1 x M40 for cable Ø 22-35 mm	60 x Ex-e	GHG 745 0201 R0017
	30 x M16 for cable Ø 5.5-10 mm	27 x PE/PA	
Ex-i	1 x M40 for cable Ø 22-35 mm	60 x Ex-i	GHG 745 0201 R0018
	30 x M16 for cable Ø 5.5-10 mm	27 x PE/PA	
Ex-e	1 x M40 for cable Ø 22-35 mm	60 x Ex-e	GHG 745 0201 R0020
	24 x M20 for cable Ø 5.5-13 mm	27 x PE/PA	
Ex-i	1 x M40 for cable Ø 22-35 mm	60 x Ex-i	GHG 745 0201 R0022
	24 x M20 for cable Ø 5.5-13 mm	27 x PE/PA	

¹⁾ according to type examination certificate individual extensible
Other types on request

Ex-e/Ex-i terminal box



GHG 744 0101 R0005

Type 745 02

GHG 745 0201 R0012

Accessories

Mounting plate for junction box 744 01

Type	Application	Fixing method	Order No.
Size 3	Wall mounting	screw mounting	GHG 610 1953 R0107
Size 3	Trellis mounting	screw mounting	GHG 610 1953 R0109
Size 3	Pipe mounting	screw mounting	GHG 610 1953 R0108
Protective canopy Size 3	for mounting plate size 3		GHG 610 1955 R0104

Mounting plate for junction box 745 02

Type	Application	Fixing method	Order No.
Size 3	Pipe mounting	screw mounting on 2 plates	GHG 610 1953 R0108
Protective canopy Size 3	for mounting plate size 3		GHG 610 1955 R0104

Details for accessories see page 7.78 pp.

Dimension drawing

