

**Technical data**

GHG 731 11 up to 16 terminals   GHG 731 12 up to 24 terminals	
Marking to 94/9/EC	Ⓔ II 2 G Ex de ia/ib [ia/ib] m IIC T4 / Ⓔ II 2 D Ex tD A21 IP66 T80 °C
EC-Type Examination Certificate	PTB 99 ATEX 1044
IECEX certification of conformity	IECEX BK1 07.0023
Marking accd. to IECEX	Ex ed ia/ib m [ia/ib] IIC T4 - T6 Ex tD A21 IP66 T80 °C
Permissible ambient temperature	-20 °C to +40 °C
	-55 °C to +55 °C (option)
Rated voltage	690 V
Rated current	Depends on terminal mounting
Insulation class	I
Degree of protection accd. EN 60529	IP66
Enclosure material	Glass-fibre reinforced polyester
Enclosure colour	black

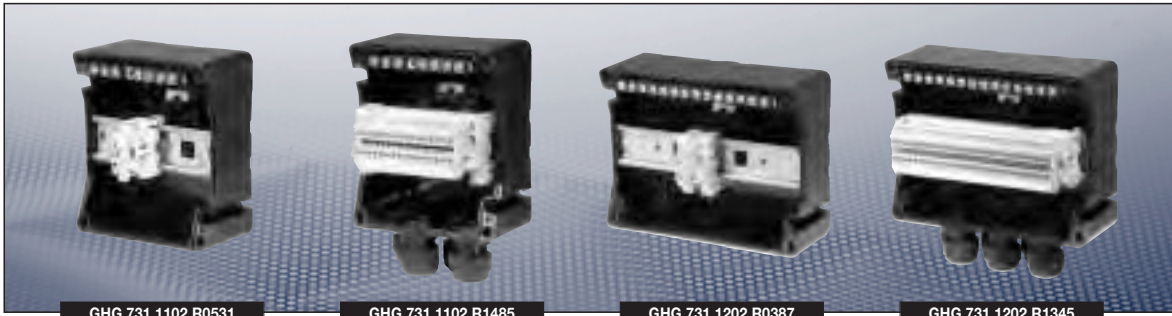
GHG 731 11 up to 16 terminals							
Connecting terminals	up to 16 mm <sup>2</sup>						
Dimensions (L x W x H)	140 x 120 x 95 mm						
Weight	approx. 0.8 kg						
Drillings/cable glands	M12	M16	M20	M25	M32	M40	M50
Max. number up/down	15	8	6	4	2	2	1
Terminal mounting space on the terminal rail	107 mm						
Max. number of terminals acc. to certification	2.5 mm <sup>2</sup>	4 mm <sup>2</sup>	6 mm <sup>2</sup>	10 mm <sup>2</sup>	16 mm <sup>2</sup>		
	16	14	10	8	8		

GHG 731 12 up to 24 terminals							
Connecting terminals	up to 16 mm <sup>2</sup>						
Dimensions (L x W x H)	140 x 182.5 x 95 mm						
Weight	approx. 1.1 kg						
Drillings/cable glands	M12	M16	M20	M25	M32	M40	M50
Max. number up/down	24	17	10	6	3	3	2
Length of assembling of the terminal rail	169 mm						
Max. number of terminals acc. to certification	2.5 mm <sup>2</sup>	4 mm <sup>2</sup>	6 mm <sup>2</sup>	10 mm <sup>2</sup>	16 mm <sup>2</sup>		
	24	24	18	18	14		

Cooper Crouse-Hinds © 2009 - all rights reserved

1  
2  
3  
4  
5  
6  
7  
8  
9  
10  
11  
12

## Ex-e/Ex-i terminal box



### Ordering details

Design	Cable gland	Terminals	Order No.
Type 731 11 up to 16 terminals assembled with screw terminals 2 x 2.5 mm <sup>2</sup> + PE/PA-rail 2.5 mm <sup>2</sup>			
Ex-e	without drilling	1 x Ex-e*/UT 3 N/7 x PE/PA	<b>GHG 731 1102 R0531</b>
Ex-e	without drilling	14 x Ex-e/UT 5 N/7 x PE/PA	<b>GHG 731 1102 R1088</b>
Ex-e	4 x M25	16 x Ex-e/UT 3 N/7 x PE/PA	<b>GHG 731 1102 R1485</b>
Type 731 12 up to 24 terminals assembled with screw terminals 2 x 2.5 mm <sup>2</sup> + PE/PA-rail 2.5 mm <sup>2</sup>			
Ex-e	without drilling	1 x Ex-e*/UT 3 N/14 x PE/PA	<b>GHG 731 1202 R0387</b>
Ex-e	without drilling	24 x Ex-e/UT 5 N/14 x PE/PA	<b>GHG 731 1202 R0976</b>
Ex-e	4 x M25	28 x Ex-e/UT 3 N/14 x PE/PA	<b>GHG 731 1202 R1345</b>

\* according to type examination certificate individual extensible

### Accessories

#### Mounting plate for junction box 731 11

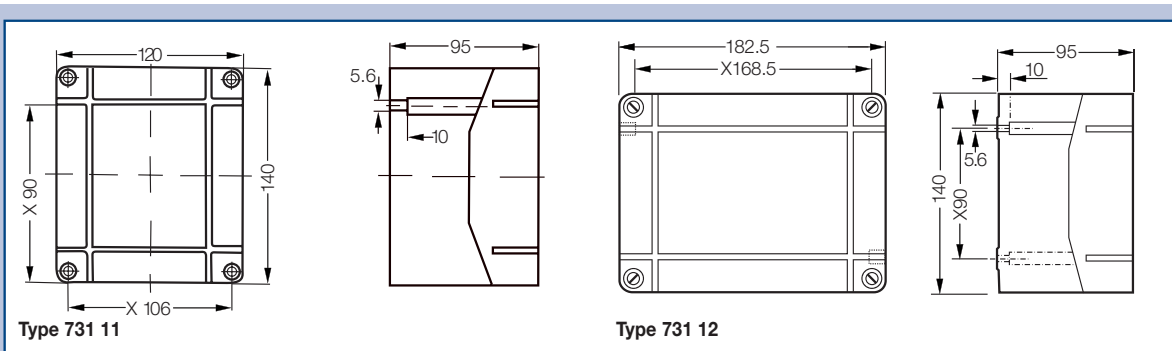
Type	Application	Fixing method	Order No.
Size 2	Wall mounting	screwless mounting	<b>GHG 610 1953 R0104</b>
Size 2	Trellis mounting	screwless mounting	<b>GHG 610 1953 R0106</b>
Size 2	Pipe mounting	screwless mounting	<b>GHG 610 1953 R0105</b>
Protective canopy Size 2	for mounting plate size 2		<b>GHG 610 1955 R0102</b>

#### Mounting plate for junction box 731 12

Type	Application	Fixing method	Order No.
Size 2A	Wall mounting	screwless mounting	<b>GHG 610 1953 R0107</b>
Size 2A	Trellis mounting	screwless mounting	<b>GHG 610 1953 R0109</b>
Size 2A	Pipe mounting	screwless mounting	<b>GHG 610 1953 R0108</b>
Protective canopy Size 2A	for mounting plate size 2A		<b>GHG 610 1955 R0103</b>

Details for accessories see page 7.78 pp.

### Dimension drawing



Dimensions in mm