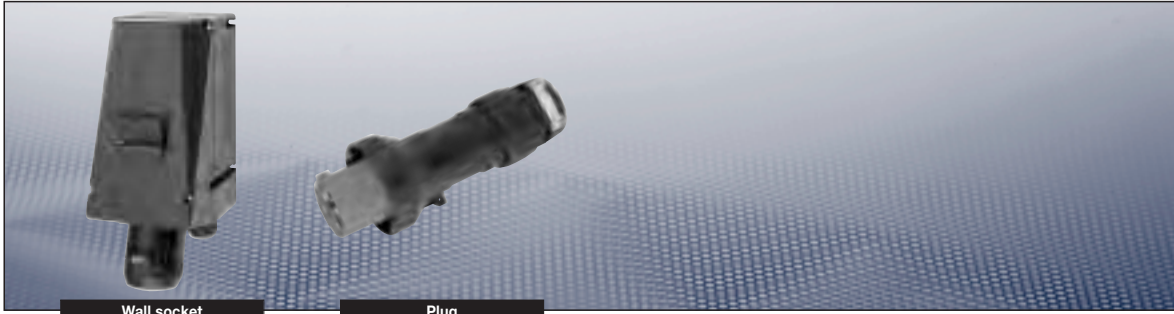


| Zone 2: 125A 4- and 5-pole up to 690 V |



Technical data

Ex-plugs and sockets accd. to IEC 60309-1/2 to 690 V

Marking to 94/9/EC	Ⓔ II 3 G EEX de IIC T6
EC-Type Examination Certificate	PTB 99 ATEX 1115
Permissible ambient temperature	-20 °C to + 40 °C ¹⁾
Rated voltage	up to 690 V
Rated current	up to 125 A
Frequency	up to 400 Hz
Switch rating AC3	690 V/125 A
Back up fuse	without therm. protection: 125 A with therm. protection: 160 A gL (rated current 125 A set to)
Insulation class	I
Degree of protection accd. EN 60529	IP66
Enclosure colour	Black

Wall socket

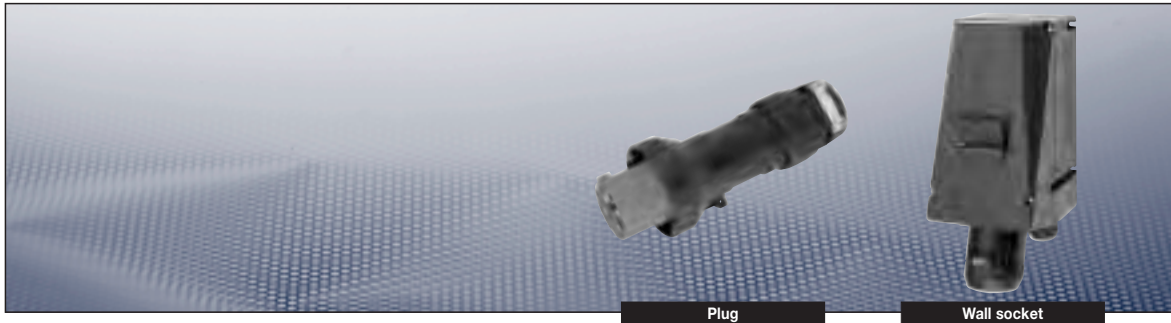
Cable glands/enclosure drilling	1 x M63 Ø 27 - 48 mm, 1 x M63 Ex-screw plug plastic or 1 x M50 Ø 21 - 35 mm, 1 x M50 Ex-screw plug plastic
Connecting terminals	2 x 4 - 50 mm ² / with cable lug ¹⁾ 1 x 120 mm ²
Enclosure material	Glass-fibre reinforced polyester

Plug

Cabel glands	Ø 31 - 58 mm
Connecting terminals	1 x 4 - 35 mm ² / with pin cable lug ¹⁾ 1 x 50 mm ²
Enclosure material	Polyamide

¹⁾ extended temperature range on request

²⁾ use only delivered cable lug



Plug

Wall socket

Ordering details

Voltage	h	Type	Cable entry	Weight approx.	Order No.
Type 125 A 4-pole					
200-250 V		Wall socket	KU	12.3 kg	GHG 519 4409 R0001
		Wall socket	ME	12.5 kg	GHG 519 4409 R3001
		Plug		0.9 kg	GHG 519 7409 R0001
380-415 V		Wall socket	KU	12.3 kg	GHG 519 4406 R0001
		Wall socket	ME	12.5 kg	GHG 519 4406 R3001
		Plug		0.9 kg	GHG 519 7406 R0001
480-500 V		Wall socket	KU	12.3 kg	GHG 519 4407 R0001
		Wall socket	ME	12.5 kg	GHG 519 4407 R3001
		Plug		0.9 kg	GHG 519 7407 R0001
600-690 V		Wall socket	KU	12.3 kg	GHG 519 4405 R0001
		Wall socket	ME	12.5 kg	GHG 519 4405 R3001
		Plug		0.9 kg	GHG 519 7405 R0001

Type 125 A 5-pole					
200-250 V		Wall socket	KU	13 kg	GHG 519 4506 R0001
380-415 V		Wall socket	ME	13.2 kg	GHG 519 4506 R3001
		Plug		1.2 kg	GHG 519 7506 R0001

Accessories

Plug cap for plugs

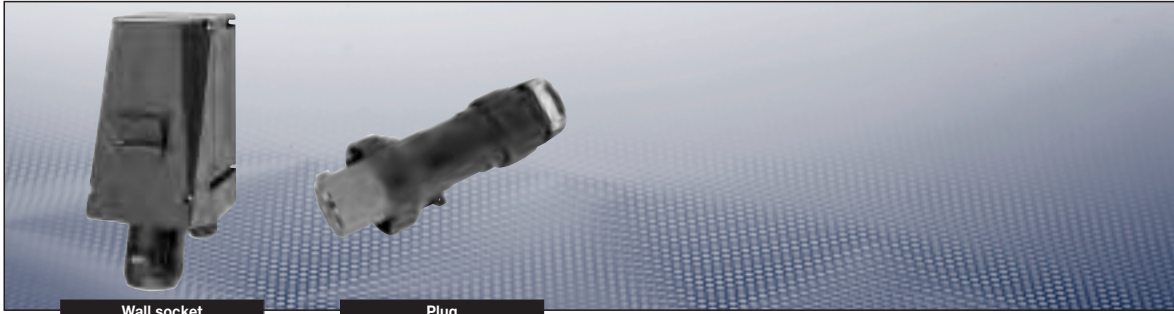
Type	Order No.
Plug cap 4-pole/5-pole	GHG 510 1901 R0007

Other voltage ranges and versions with auxiliary contact available on request

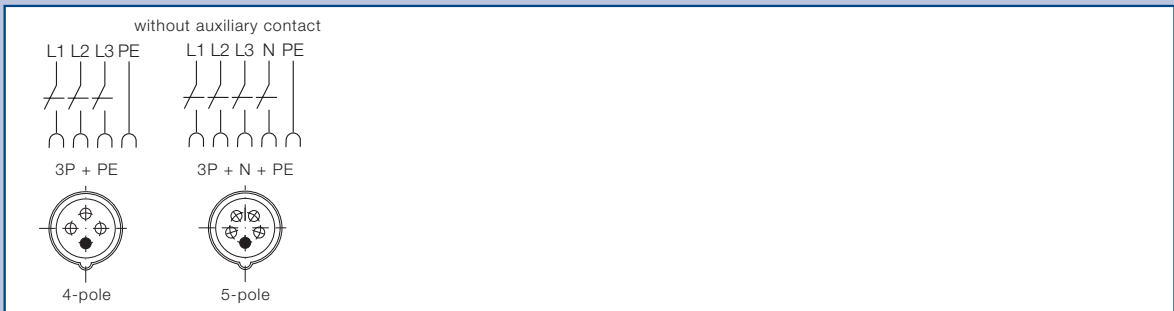
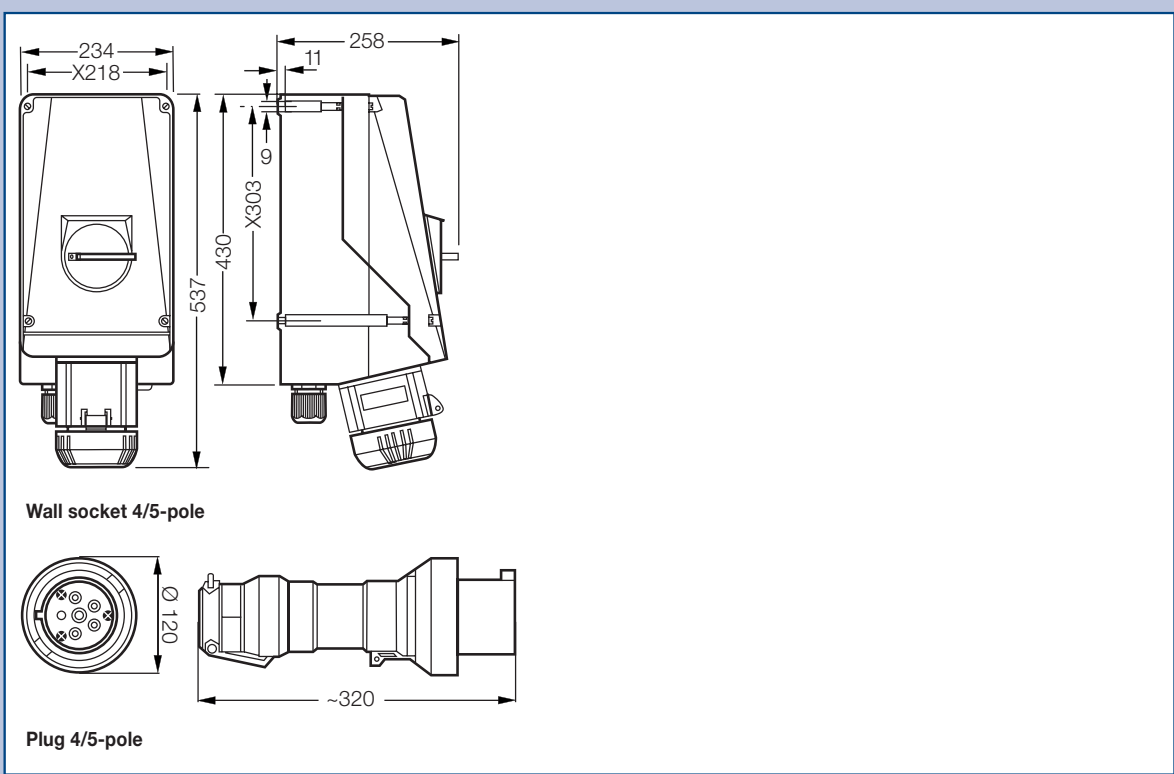
KU = 1 x plastic cable glands M40 Ø 17-28 mm, 1 x M40 Ex-screw plug plastic

ME = 2 x metal thread M32 with Ex-screw plug plastic

| Zone 2: 125A 4- and 5-pole up to 690 V |



Dimension drawing | Wiring diagram



Cooper Crouse-Hinds © 2009 - all rights reserved

Dimensions in mm