

Plug

Wall socket

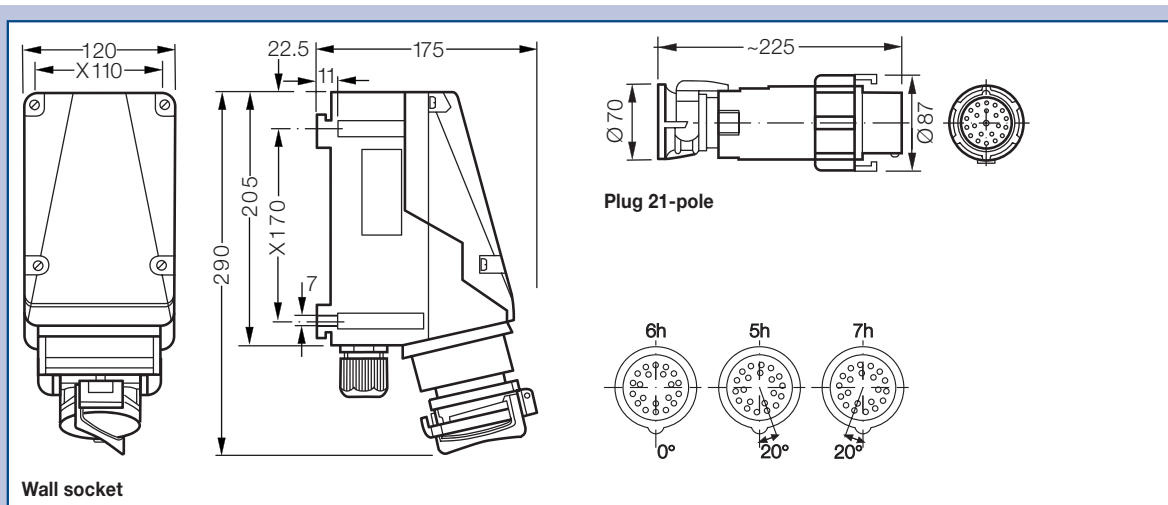
Ordering details

Type	h	Cable entry	Weight	Order No.
Type 10 A 21-pole				
Wall socket	5 h	KU	1.8 kg	GHG 511 4905 R0001
Wall socket	5 h	ME	1.9 kg	GHG 511 4905 R3001
Plug	5 h		0.7 kg	GHG 591 2201 R0001
Wall socket	6 h	KU	1.8 kg	GHG 511 4906 R0001
Wall socket	6 h	ME	1.9 kg	GHG 511 4906 R3001
Plug	6 h		0.7 kg	GHG 591 2201 R0002
Wall socket	7 h	KU	1.8 kg	GHG 511 4907 R0001
Wall socket	7 h	ME	1.9 kg	GHG 511 4907 R3001
Plug	7 h		0.7 kg	GHG 591 2201 R0003

Type	Application	Fixing method	Order No.
Accessories			
Plug cap 21-pole			GHG 530 1935 R0008
Mounting plate size 5	for wall mounting	snapp on	GHG 610 1953 R0128
Mounting plate size 5	for trellis mounting	snapp on	GHG 610 1953 R0128
Mounting plate size 5	for pipe mounting	snapp on	GHG 610 1953 R0132
Socket bushes 1 set = 7 pcs.			GHG 590 1301 R0102
Plug pins 1 set = 7 pcs.			GHG 590 1302 R0102
Crimping tool for sockets and pins			GHG 590 1902 R0001
Dismanteling tool for sockets and pins			GHG 590 1903 R0001

KU = 1 x plastic cable glands M40 for Ø 17-28 mm
 ME = 1 x metal thread M32 with Ex-screw plug plastic

Dimension drawing | Coding



Wall socket

Plug 21-pole

Dimensions in mm