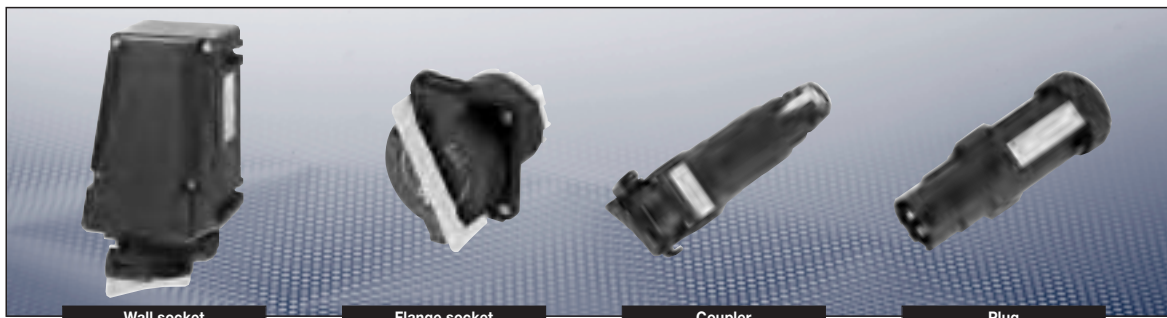


16A 2-pole up to 50 V
16A 3-pole up to 50 V



Technical data

Ex-plugs and sockets for low voltage, 2- and 3-pole acc. to IEC 60309-1/2

Marking to 94/9/EC	Ⓔ II 2 G Ex de [ia] IIC T6/T5
EC-Type Examination Certificate	Wall socket, plug and coupler: PTB 99 ATEX 1039 Flange socket: PTB 99 ATEX 1063 U
IECEx certification of conformity	IECEx BKI 04.0002
IECEx type of protection	Ex ed [ia] IIC T6/T5
Permissible ambient temperature	-55 °C to +55 °C
Rated voltage	up to 50 V
Rated current	up to 16 A
Frequency	up to 400 Hz
Switching capacity AC-3 / DC-1	16 A
Back-up fuse, max.	without therm. protection: 16 A / with therm. protection: 35 A
Degree of protection to EN 60529	IP54

Wall socket

Cable glands	1 x M25 Ø 8 - 17 mm, 1 x M25 Ex-screw plug plastic (bottom) or 2 x metal thread M20 with Ex-screw plug plastic
Connecting terminals	2 x 1.5 - 4 mm ²
Enclosure material	Glass-fibre reinforced polyester

Plug

Cabel glands	Ø 9 - 17 mm
Connecting terminals	1.0 - 4 mm ²
Enclosure material	Polyamide

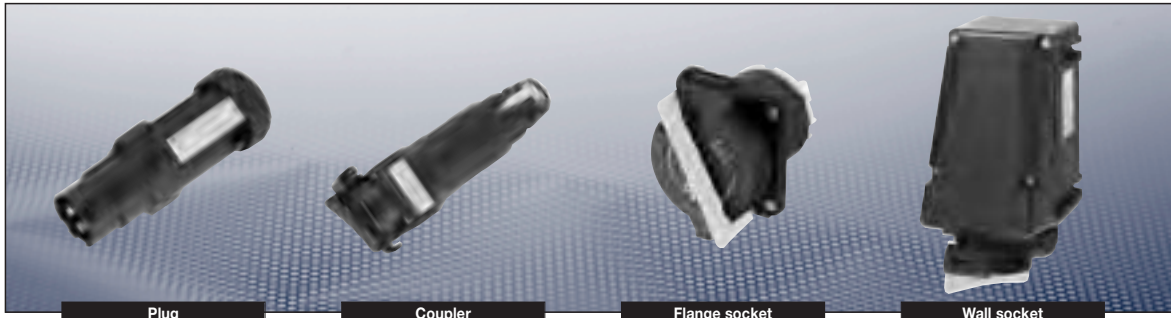
Coupler

Cabel glands	Ø 9 - 17 mm
Connecting terminals	1.5 - 4 mm ²
Enclosure material	Polyamide

Flange socket

Connecting terminals	1.5 - 4 mm ²
Enclosure material	Polyamide

16A 2-pole up to 50 V
16A 3-pole up to 50 V



Ordering details

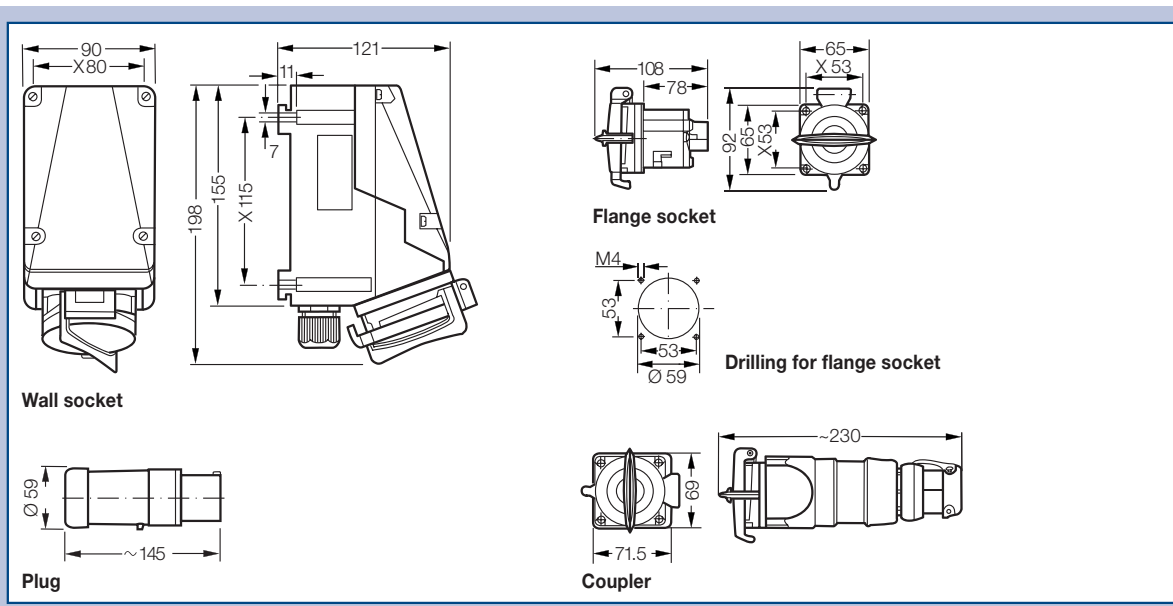
Voltage	h	Type	No. of poles	Weight approx.	Order No.
Type 2-pole low voltage					
≤ 24 V		Wall socket	2	1.2 kg	GHG 513 4200 R0001
		Flange socket	2	0.4 kg	GHG 542 5200 V0000
		Coupler	2	0.7 kg	GHG 513 3200 R0001
		Plug	2	0.35 kg	GHG 542 2200 V0000
42 V		Wall socket	2	1.2 kg	GHG 513 4212 R0001
		Flange socket	2	0.4 kg	GHG 542 5212 V0000
		Coupler	2	0.7 kg	GHG 513 3212 R0001
		Plug	2	0.35 kg	GHG 542 2212 V0000
Type 3-pole low voltage					
≤ 24 V		Wall socket	3	1.2 kg	GHG 513 4300 R0001
		Flange socket	3	0.4 kg	GHG 542 5300 V0000
		Coupler	3	0.7 kg	GHG 513 3300 R0001
		Plug	3	0.35 kg	GHG 542 2300 V0000
42 V		Wall socket	3	1.2 kg	GHG 513 4312 R0001
		Flange socket	3	0.4 kg	GHG 542 5312 V0000
		Coupler	3	0.7 kg	GHG 513 3312 R0001
		Plug	3	0.35 kg	GHG 542 2312 V0000

Other voltage ranges and versions available on request

Accessories

Type	Application	Fixing method	Order No.
Mounting plate size 4	wall mounting	snap on for GHG 531 4/5 pole	GHG 610 1953 R0151
Mounting plate size 4	wall mounting	snap on for GHG 531 3 pole	GHG 610 1953 R0152
Protective canopy size 4		puggable	GHG 610 1955 R0107

Dimension drawing



Dimensions in mm

Cooper Crouse-Hinds © 2009 - all rights reserved

1
2
3
4
5
6
7
8
9
10
11
12