

**| Ex-Portable outlet distribution: 16A 3-pole, 5-pole |**

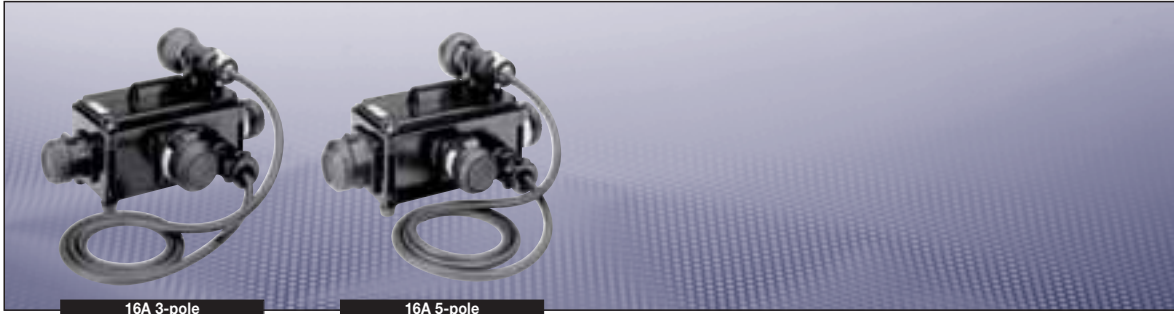


**Technical data**

16A 3-pole	16A 5-pole
Marking to 94/9/EC	Ⓔ II 2 G Ex ed IIC T6
EC-Type Examination Certificate	PTB 02 ATEX 1035
Permissible ambient temperature	-20 °C to +40 °C <sup>1)</sup>
Rated voltage	3-pole 16 A: to 500 V / 5-pole 16 A: to 400 V
Rated current	16 A
Frequency	50/60 Hz
Rated making-/breaking capacity AC-3 accd. to EN 60947-3	U <sub>e</sub> 690 V / I <sub>e</sub> 16 A
Back up fuse	without thermal protection: 16 A with thermal protection: 25 A gL (rated current 16 A set to)
Degree of protection accd. EN 60529	IP66
Cable glands/enclosure drilling	Trumpet shaped cable gland M32
Weight	with 2 m connecting cable: 4.2 kg / with 5 m connecting cable 5.2 kg
Enclosure material	Socket distribution: Glass-fibre reinforced polyester Plug and flange socket: polyamide
Enclosure colour	Black

<sup>1)</sup> extended temperature range on request

**Ex-Portable outlet distribution: 16A 3-pole, 5-pole**



16A 3-pole

16A 5-pole

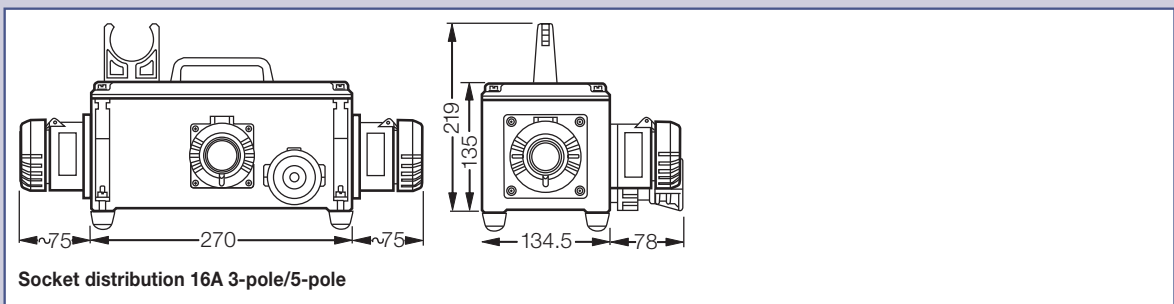
**Ordering details**

Design	Version	Order No.
Type design with 2 m connecting cable		
2 x socket 16 A	3-pole	GHG 931 0003 R0011
1 x socket 16 A	5-pole	
1 x socket 16 A	3-pole	GHG 931 0003 R0012
2 x socket 16 A	5-pole	
3 x socket 16 A	3-pole	GHG 931 0003 R0013

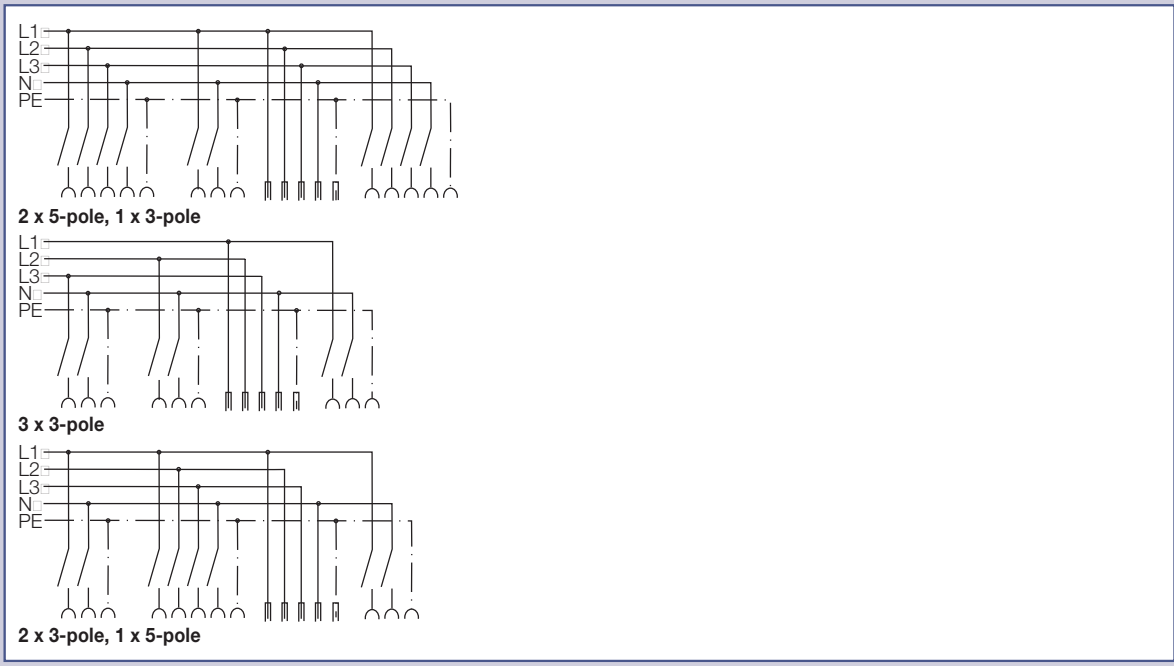
Type design with 5 m connecting cable		
2 x socket 16 A	3-pole	GHG 931 0003 R0021
1 x socket 16 A	5-pole	
1 x socket 16 A	3-pole	GHG 931 0003 R0022
2 x socket 16 A	5-pole	
3 x socket 16 A	3-pole	GHG 931 0003 R0023

Other configurations on request.

**Dimension drawing Wiring diagram**



Socket distribution 16A 3-pole/5-pole



Dimensions in mm