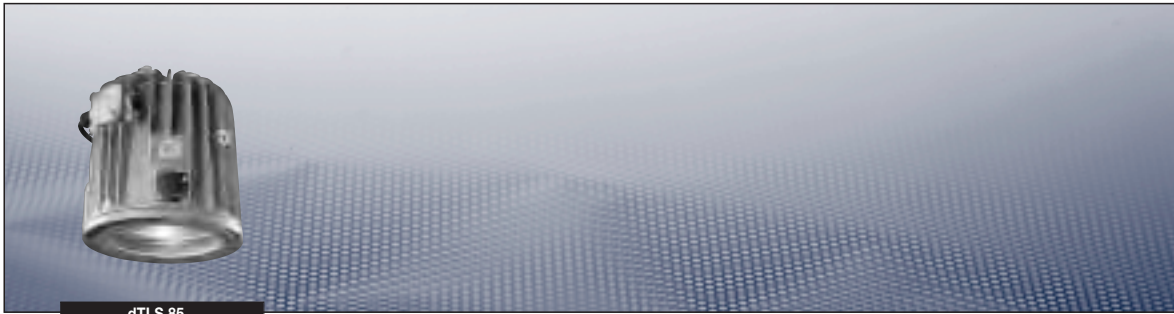


Ex-Floodlights



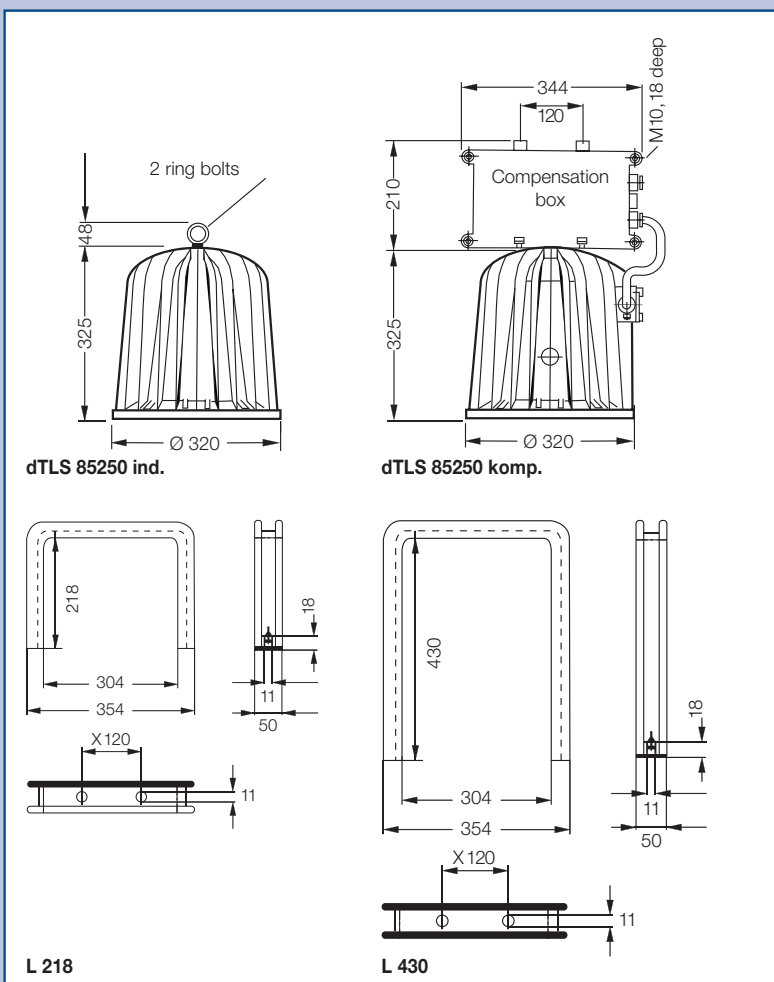
dTLS 85...

Accessories

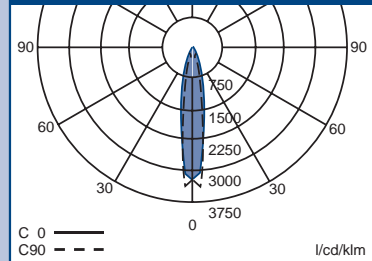
dTLS 85250

Type	Version	Order No.
Eye bolt (10 pcs.)	M10	GHG 690 1921 R0003
Mounting bracket L 218	for inductive version	GHG 690 1913 R0001
Mounting bracket L 430	for compensated version	GHG 690 1913 R0002

Dimensions drawing



Polar curve with parabolic reflector dTLS



Polar curve with diffuser lens dTLS

