

FZD EN

Technical data

FZD EN	
Marking to 94/9/EC	⊕ II 2 G EEx demq IIC T ¹⁾ ⊕ II 2 D IP66 T ¹⁾
EC-Type Examination Certificate	PTB 02 ATEX 1158
IECEX Certificate of Conformity	IECEX BKI 07.0002
Marking accd. to IECEx	Ex de IIC T3 or T4 Ex tD A21 IP66 T ¹⁾ °C
Permissible ambient temperature	-45 °C to +50 °C ¹⁾
Rated voltage	230 V AC ²⁾
Rated current	250 W: 1.3 A / 300 W: 2.1 A
Frequency	50 Hz
Power factor cos φ	> 0.9
Circuit	compensated circuit
Insulation class	I
Lamp/Illuminant	High pressure sodium lamp - tubular (HST) Metal halide lamp - tubular (HIT) 250 W or 400 W
Lamp cap	E 40 acc. EN 60061-1
Light efficiency in operation	66 %
Degree of protection accd. EN 60529	IP66
Cable glands/Gland plates/Enclosure drilling	2 x M25 x 1.5 with plastic cable gland Ex-e M25 for non-armoured cable Ø 8 - 17 mm, other plugged; option: with metal thread M20, without cable gland
Dimensions (L x W x H)	573 x 390 x 570 mm
Weight	28 kg (enclosure); 11 kg lamp module
Enclosure material	light alloy
Enclosure colour	grey
Protective cover/Protective bowl	die-cast light alloy
Options	tempered safety glass
Enclosure earth	2.5 mm ² PE

¹⁾ see table ²⁾ other voltages or frequencies on request ³⁾ depends on lamp

Additional lamp data

Lamp	Temperature class II 2 G		Max. surface temp. II 2 D	
	T _{ambient} -45 °C to +40 °C	T _{ambient} -45 °C to +50 °C	T _{ambient} -45 °C to +40 °C	T _{ambient} -45 °C to +50 °C
HST / HIT 250 W	T4 ⁵⁾ / T3	T3	T 130 °C ⁵⁾ / T 150 °C	T 160 °C
HST / HIT 400 W	T3	-	T 180 °C	-

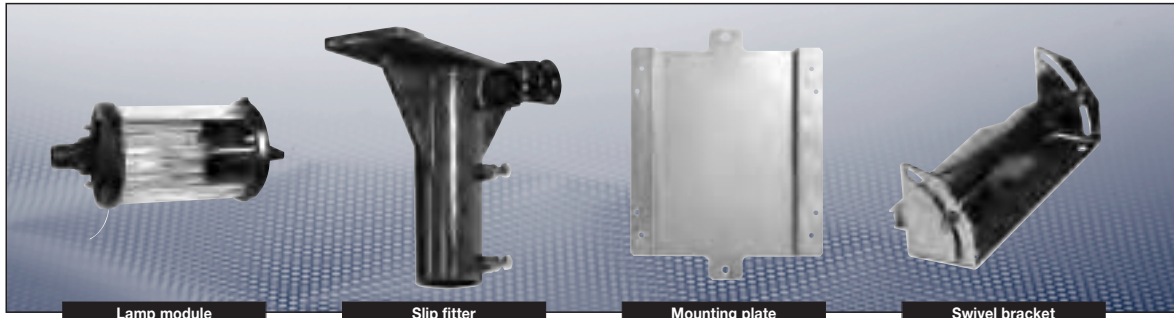
⁵⁾ mounting position ± 135 °C, see instruction

Ordering details

Lamp	Rated luminous flux ³⁾	Reflector	Order No.
FZD EN			
250 W HIT	19000 lm	wide-angle	1 3041 200 012
400 W HIT	35000 lm	wide-angle	1 3041 210 012
250 W HST	25000 lm	wide-angle	1 3041 200 012
400 W HST	48000 lm	wide-angle	1 3041 205 012
250 W HIT	19000 lm	narrow-angle	1 3041 200 011
400 W HIT	35000 lm	narrow-angle	1 3041 210 011
250 W HST	25000 lm	narrow-angle	1 3041 200 011
400 W HST	48000 lm	narrow-angle	1 3041 205 011

Delivery without lamp, incl. mounting frame

Ex-Floodlight



Lamp module

Slip fitter

Mounting plate

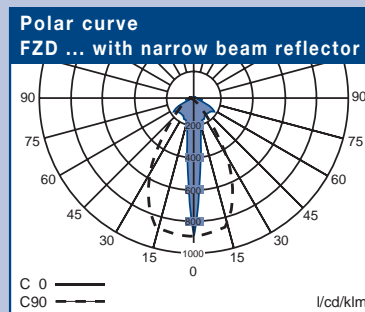
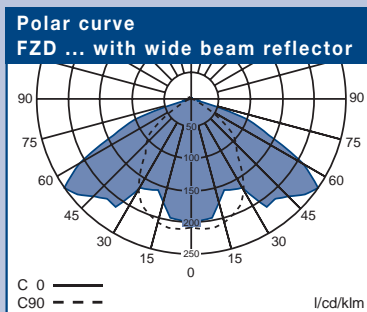
Swivel bracket

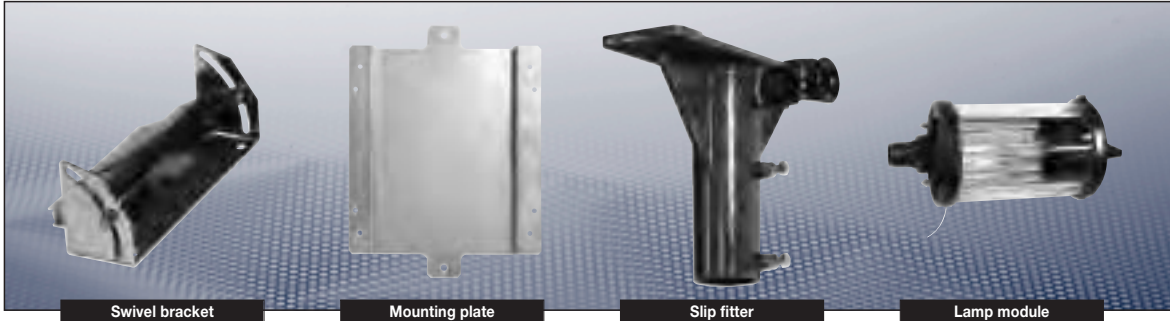
Accessories

FZD 04				
Type	Content	FZD 04	FZD EN	Order No.
Lamp module	Lamp module 250 W/400 W complete with internal reflector, narrow-angle reflector	X	X	1 3041 000 011
	wide-angle reflector	X	X	1 3041 000 012
Slip fitter	fitter for pole 1 1/4" mounting complete with fixing screws	X	-	NOR 000 005 190 021
Slip fitter	fitter for pole 2" mounting complete with fixing screws	X	-	NOR 000 005 190 022
Swivel bracket	Ajustable hinge for wall/pole mounting	X	-	NOR 000 005 190 023
Mounting plate	Stainless steel plate for wall or pole installation (using pipe clamps, not incl.)	X	-	NOR 000 005 190 026
		X	-	
Pipe clamp	1 1/4" pipe clamp (1 pcs) galvanized Ø 38 - 42 mm ²	X	-	2 2480 462 000
Pipe clamp	1 1/4" pipe clamp (1 pcs) stainless steel Ø 38 - 42 mm ²	X	-	2 2480 464 000
Pipe clamp	1 1/2" pipe clamp (1 pcs) galvanized Ø 47 - 51 mm ²	X	-	2 2480 472 000
Pipe clamp	2" pipe clamp (1 pcs) galvanized Ø 56 - 60 mm ²	X	-	2 2480 482 000

Lamps and fixing accessories are not included

Polar curve





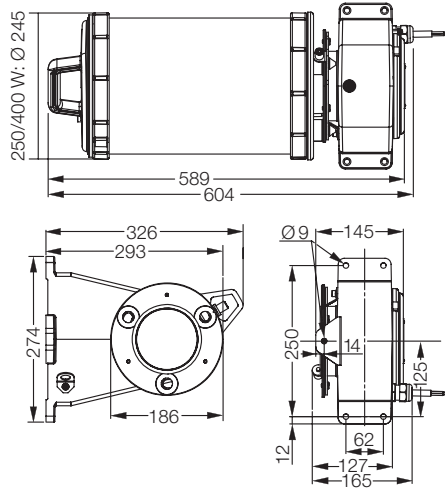
Swivel bracket

Mounting plate

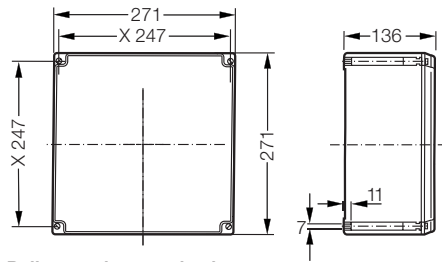
Slip fitter

Lamp module

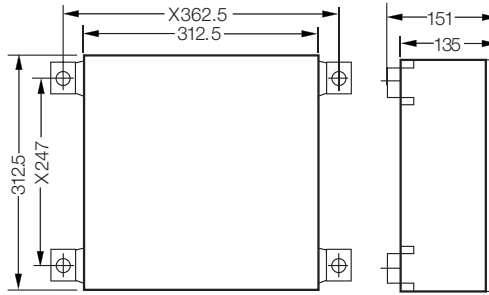
Dimensions drawing



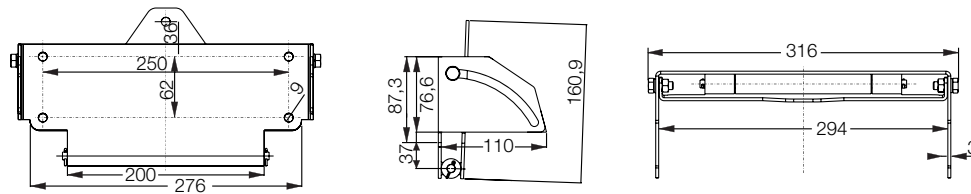
FZD 04 250/400 W



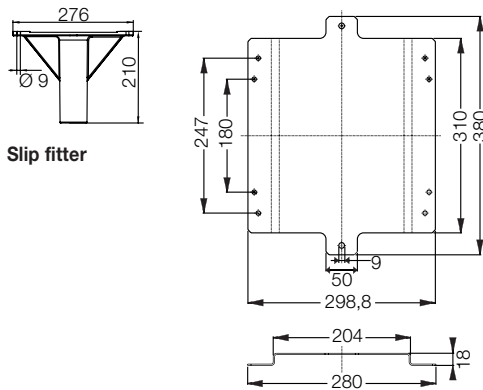
Ballast enclosure: plastic



Ballast enclosure: stainless steel

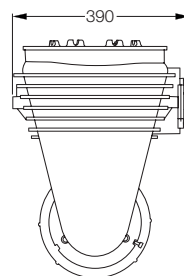
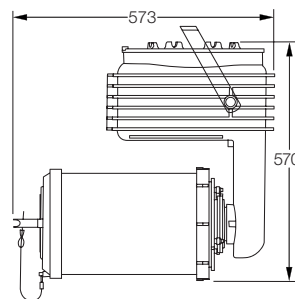


Swivel bracket



Slip fitter

Mounting plate



Dimensions in mm