

Ballast enclosure

Floodlight enclosure

Technical data

FZD 04	
Marking to 94/9/EC	Ⓔ II 2 G Ex demq IIC T ¹⁾ Ⓔ II 2 D Ex tD A21 IP66 T ¹⁾
EC-Type Examination Certificate	PTB 02 ATEX 1158
IECEX Certificate of Conformity	IECEX BKI 07.0002
Marking accd. to IECEx	Ex de IIC T3 or T4 Ex tD A21 IP66 T ¹⁾ °C
Permissible ambient temperature	-45 °C to +60 °C ¹⁾
Rated voltage	230 V AC ²⁾
Rated current	¹⁾
Frequency	50 Hz
Power factor cos φ	> 0.9
Circuit	compensated circuit
Insulation class	I
Degree of protection accd. EN 60529	IP66

Lamp module Floodlight enclosure		
Type of protection	Lamp module:	Ex d IIC
	Floodlight enclosure:	Ex em IIC
Connecting terminals	2 x (2 x 2.5 mm ²) + 2.5 mm ² PE	
Lamp/Illuminant	High pressure sodium lamp – tubular (HST) Metal halide lamp – tubular (HIT)	
Lamp cap	E 40 acc. EN 60061-1	
Light efficiency in operation	66 %	
Cable glands/Gland plates/Enclosure drilling	1 x M25 x 1.5 with plastic cable glands Ex-e M25 for non-armoured cable Ø 8 - 17 mm ³⁾ option with metal thread M20, without cable gland	
Weight	Lamp module lamp:	approx. 10.6 kg
	Floodlight enclosure:	approx. 4.3 kg
Enclosure earth	2.5 mm ² PE	

Ballast enclosure	
Type of protection	Ex emq IIC
Connecting terminals	3 x (2 x 4 mm ²) + 4 mm ² PE
Cable glands/Gland plates/Enclosure drilling	3 x M25 x 1.5 two M25 for cable Ø 8 - 17 mm with plastic cable grand Ex-e M25 for one plugged ⁴⁾
Weight	approx. 9 kg (polyester fiberglass) approx. 10 kg (stainless steel)
Enclosure material	Polyester reinforced fiber glass, or stainless steel ¹⁾

¹⁾ see table

²⁾ other voltages or frequencies on request

³⁾ Connection to the ballast enclosure

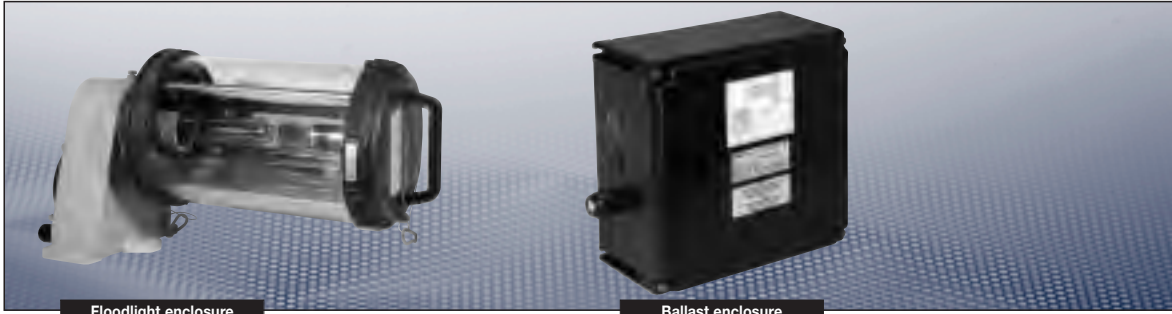
⁴⁾ One to connect to the floodlight enclosure, the others for the mains connection

⁵⁾ mounting position ± 135 °C, see instruction

Additional lamp data

Lamp	Rated current	Temperature class II 2 G			Max. surface temp. II 2 D		
		T _{amb.} -45 °C to +40 °C	T _{amb.} -45 °C to +50 °C	T _{amb.} -45 °C to +60 °C	T _{amb.} -45 °C to +40 °C	T _{amb.} -45 °C to +50 °C	T _{amb.} -45 °C to +60 °C
HST / HIT 150 W	0,8 A	T4	T4	T3	T 120 °C	T 130 °C	T 140 °C
HST / HIT 250 W	1,3 A	T4 ⁵⁾ / T3	T3	–	T 130 °C ⁵⁾ / T 150 °C	T 160 °C	–
HST / HIT 400 W	2,1 A	T3	–	–	T 180 °C	–	–

Ex-Floodlight



Floodlight enclosure

Ballast enclosure

Ordering details FZD 04

Lamp	Rated luminous flux ²⁾	Reflector	Order No.
Ballast enclosure made of polyester with cable gland for mains connection			
250 W HIT/HST	19000 lm / 25000 lm	narrow beam	NOR 000 005 192 505
250 W HST/HIT	19000 lm / 25000 lm	wide beam	NOR 000 005 192 506
400 W HIT	35000 lm	narrow beam	NOR 000 005 194 105
400 W HIT	35000 lm	wide beam	NOR 000 005 194 106
400 W HST	48000 lm	narrow beam	NOR 000 005 194 005
400 W HST	48000 lm	wide beam	NOR 000 005 194 006

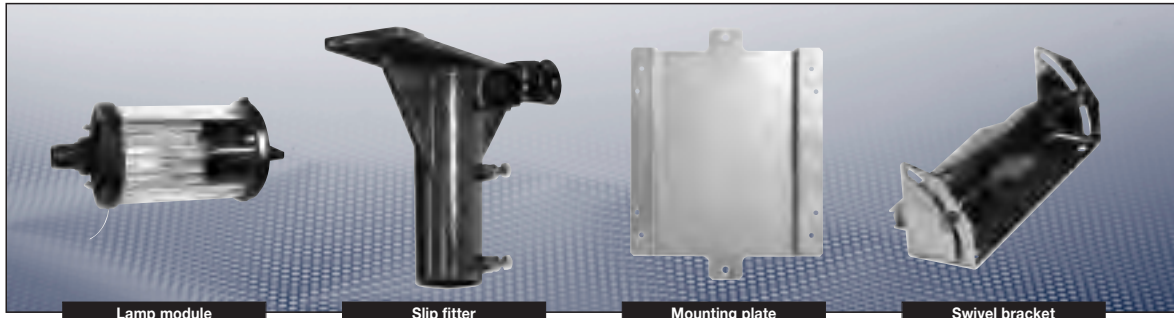
Ballast enclosure made of stainless steel with cable gland for mains connection			
250 W HIT/HST	19000 lm / 25000 lm	narrow beam	NOR 000 005 192 501
250 W HIT/HST	19000 lm / 25000 lm	wide beam	NOR 000 005 192 502
250 W HIT	35000 lm	narrow beam	NOR 000 005 194 101
400 W HIT	35000 lm	wide beam	NOR 000 005 194 102
400 W HST	48000 lm	narrow beam	NOR 000 005 194 001
400 W HST	48000 lm	wide beam	NOR 000 005 194 002

Ballast enclosure made of polyester without cable gland for mains connection			
250 W HIT/HST	19000 lm / 25000 lm	narrow beam	NOR 000 005 192 507
250 W HIT/HST	19000 lm / 25000 lm	wide beam	NOR 000 005 192 508
400 W HIT	35000 lm	narrow beam	NOR 000 005 194 107
400 W HIT	35000 lm	wide beam	NOR 000 005 194 108
400 W HST	48000 lm	narrow beam	NOR 000 005 194 007
400 W HST	48000 lm	wide beam	NOR 000 005 194 008

Ballast enclosure made of steel without cable gland for mains connection			
250 W HIT/HST	19000 lm / 25000 lm	narrow beam	NOR 000 005 192 503
250 W HIT/HST	19000 lm / 25000 lm	wide beam	NOR 000 005 192 504
400 W HIT	35000 lm	narrow beam	NOR 000 005 194 103
400 W HIT	35000 lm	wide beam	NOR 000 005 194 104
400 W HST	48000 lm	narrow beam	NOR 000 005 194 003
400 W HST	48000 lm	wide beam	NOR 000 005 194 004

²⁾ depends on used lamps

Ex-Floodlight



Lamp module

Slip fitter

Mounting plate

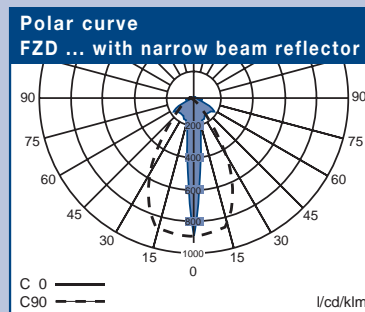
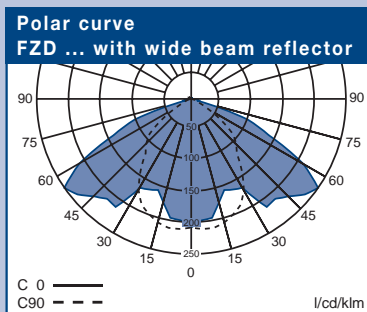
Swivel bracket

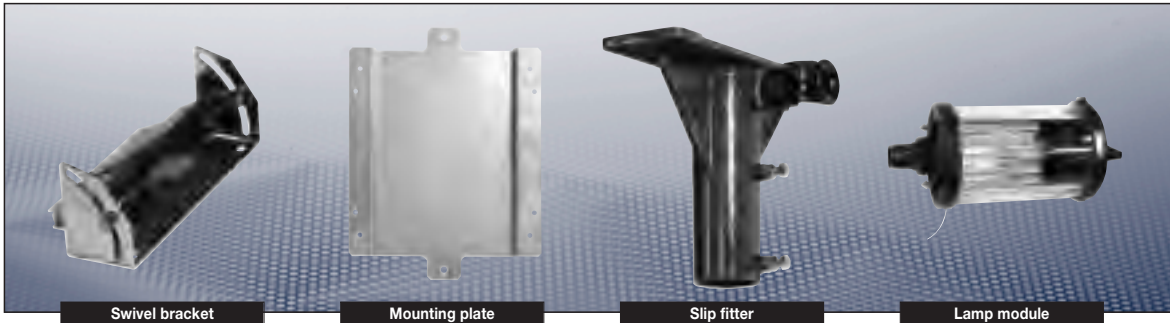
Accessories

FZD 04				
Type	Content	FZD 04	FZD EN	Order No.
Lamp module	Lamp module 250 W/400 W complete with internal reflector, narrow-angle reflector	X	X	1 3041 000 011
	wide-angle reflector	X	X	1 3041 000 012
Slip fitter	fitter for pole 1 1/4" mounting complete with fixing screws	X	-	NOR 000 005 190 021
Slip fitter	fitter for pole 2" mounting complete with fixing screws	X	-	NOR 000 005 190 022
Swivel bracket	Ajustable hinge for wall/pole mounting	X	-	NOR 000 005 190 023
Mounting plate	Stainless steel plate for wall or pole installation (using pipe clamps, not incl.)	X	-	NOR 000 005 190 026
		X	-	
Pipe clamp	1 1/4" pipe clamp (1 pcs) galvanized Ø 38 - 42 mm ²	X	-	2 2480 462 000
Pipe clamp	1 1/4" pipe clamp (1 pcs) stainless steel Ø 38 - 42 mm ²	X	-	2 2480 464 000
Pipe clamp	1 1/2" pipe clamp (1 pcs) galvanized Ø 47 - 51 mm ²	X	-	2 2480 472 000
Pipe clamp	2" pipe clamp (1 pcs) galvanized Ø 56 - 60 mm ²	X	-	2 2480 482 000

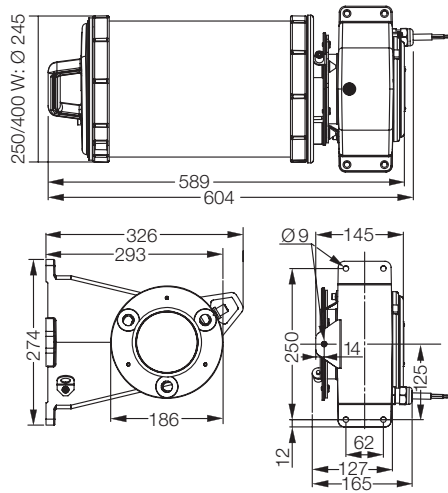
Lamps and fixing accessories are not included

Polar curve

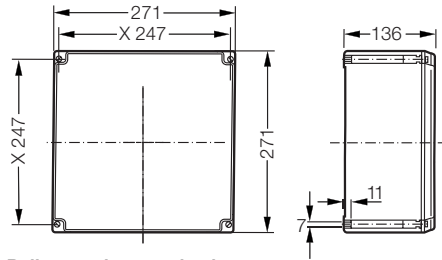




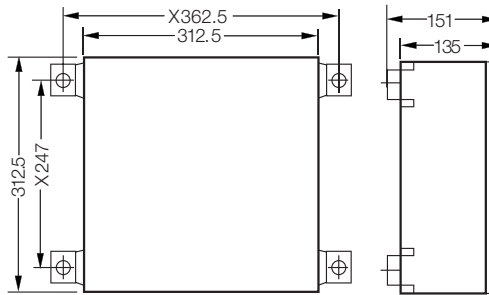
Dimensions drawing



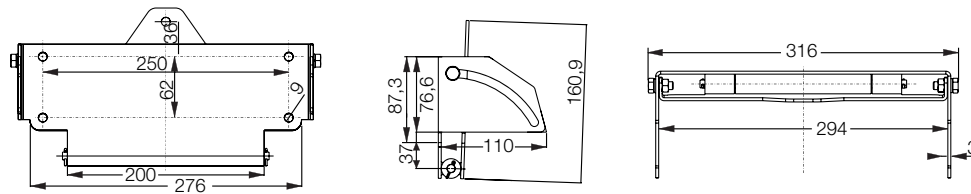
FZD 04 250/400 W



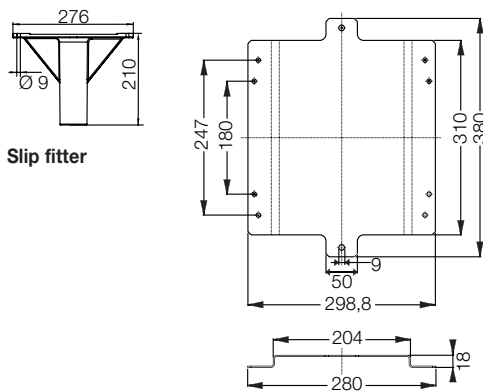
Ballast enclosure: plastic



Ballast enclosure: stainless steel

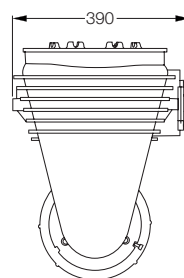
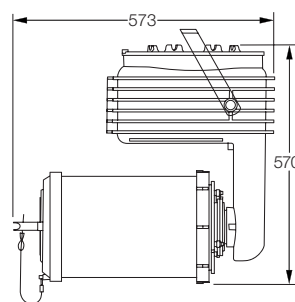


Swivel bracket



Slip fitter

Mounting plate



Dimensions in mm