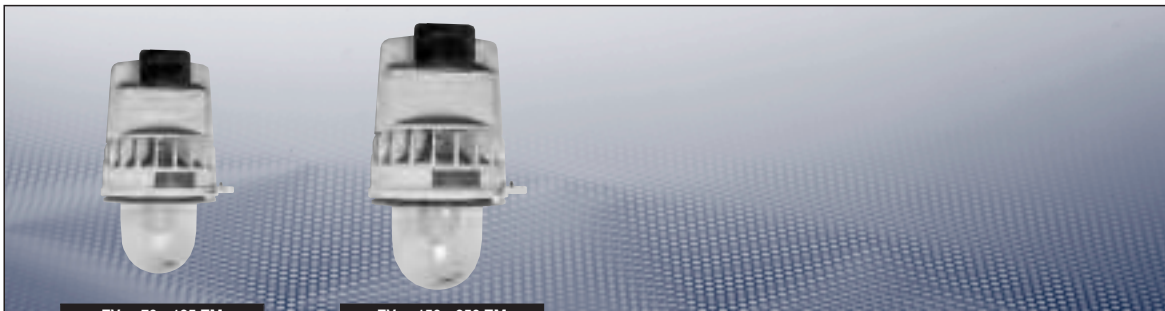


Ex-Pendant light fitting



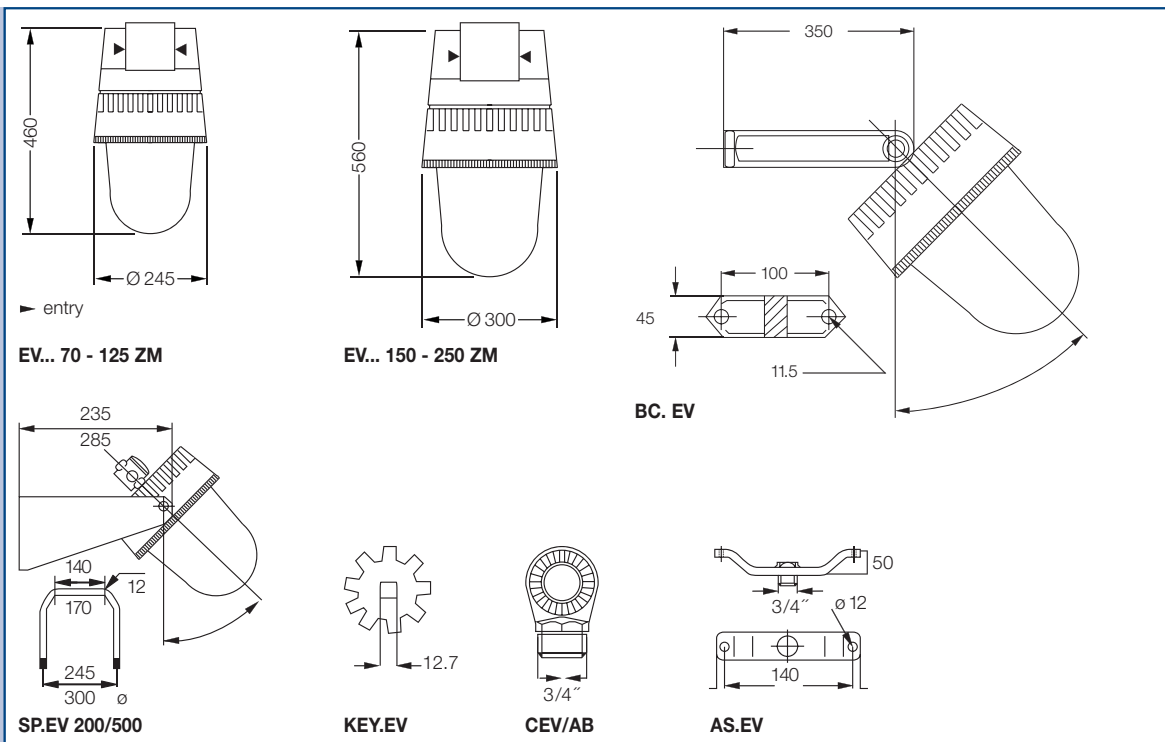
EV ... 70 - 125 ZM

EV ... 150 - 250 ZM

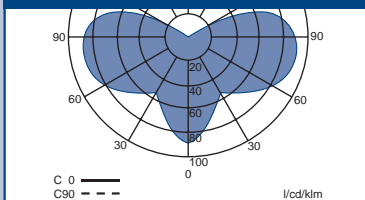
Accessories

EVM, EVS, EVH			
Type	Type	Application	Order No.
Space glass	REP 200	EV.. 70-125 ..	NOR 000 005 110 969
Spare glass	REP 500	EV.. 150-250 ..	NOR 000 005 110 977
Wire guard	G. EV 200	EV.. 70-125 ..	NOR 000 005 110 860
Wire guard	G. EV 500	EV.. 150-250 ..	NOR 000 005 110 878
External reflector	PC. EV 200	EV.. 70-125 ..	NOR 000 005 110 894
External reflector	PC. EV 500	EV.. 150-250 ..	NOR 000 005 110 901
Lamp key	KEY, EV		NOR 000 005 110 886
Eye bolt	CEV/AB		NOR 000 005 110 852
Ceiling bracket,adjustable	AS. EV		NOR 000 005 110 951
Wall mounting barcket	SPU. EV		NOR 000 005 110 828
Pole mounting bracket	BC. EV		NOR 000 005 110 836
Wall mounting bracket	SP. EV 200	EV 70..-125 ..	NOR 000 005 110 935
Wall mounting bracket	SP. EV 500	EV 150..-250 ..	NOR 000 005 110 943

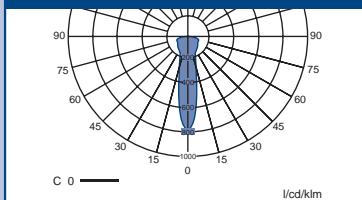
Dimensions drawing



Polar curve EV 200/500 without external reflector



Polar curve EV 200/500 with external reflector



Dimensions in mm