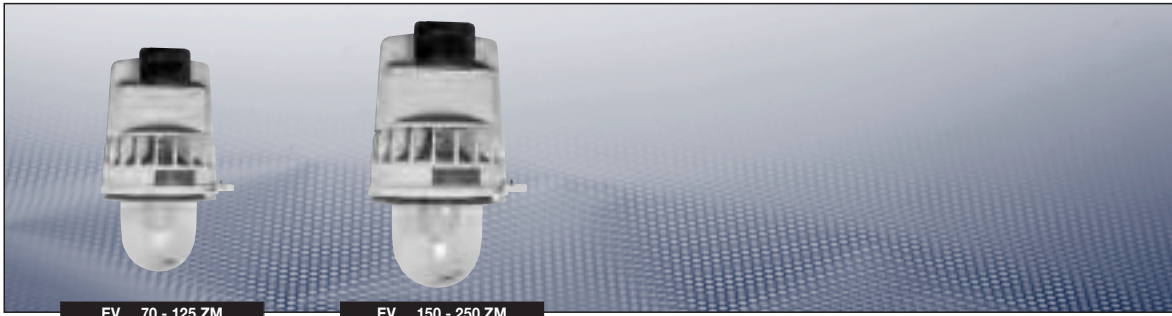


## Ex-Pendant light fitting



### Technical data

EVM   EVS   EVH	
Marking to 94/9/EC (new standard – applied for)	⊕ II 2 G Ex de IIC T <sup>1)</sup> ⊕ II 2 D Ex tD A21 IP66 T <sup>1)</sup> °C
EC-Type Examination Certificate	LOM 02 ATEX 2012 X
IECEX Certificate of Conformity	IECEX BK1 07.0031X
Marking acc. to IECEx	Ex de IIC T <sup>1)</sup> Ex tD A21 IP67 T <sup>1)</sup>
Permissible ambient temperature	-20 °C to +55 °C -45 °C to +55 °C (option)
Rated voltage	230 V AC <sup>2)</sup>
Rated current	<sup>1)</sup>
Frequency	50 Hz <sup>2)</sup>
Power factor cos φ	> 0.85
Circuit	electromagnetic circuit
Connecting terminals	3 x (2 x 2.5 mm <sup>2</sup> ); PE extern. 2 x 6 mm <sup>2</sup>
Insulation class	I
Lamp cap	E 27 (EV. 70 ... 125), E 40 (EV 150 ... 250)
Light efficiency in operation	76 %
Degree of protection accd. EN 60529	IP67
Cable glands/Gland plates/Enclosure drilling	2 x M25 threads (Ex-e), one plugged
Dimensions (L x W x H)	480 mm x Ø 245 mm (EV.. 70-125 ZM) 560 mm x Ø 300 mm (EV.. 150-250 ZM)
Weight	see ordering information
Type of mounting	ceiling mounting
Enclosure material	light alloy
Enclosure colour	grey
Protective cover/protective bowl	borosilicate glass

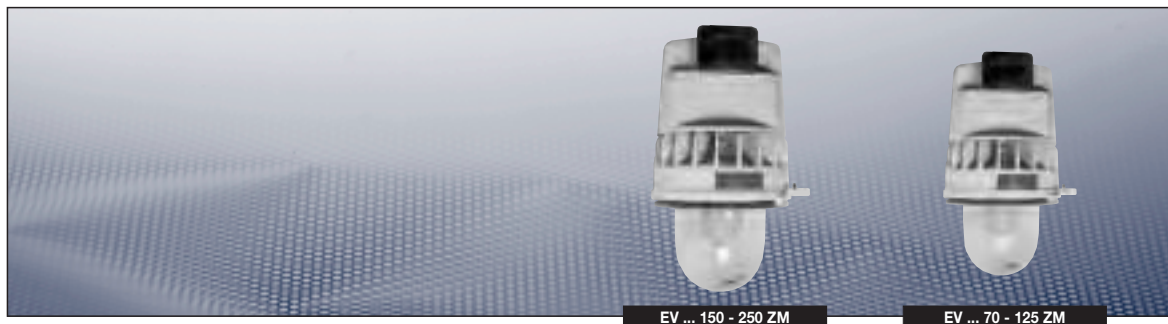
<sup>1)</sup> see ordering details

<sup>2)</sup> other voltages or frequencies on request

### Additional lamp data

Lamp	Luminous flux <sup>3)</sup>	Power	Type	Temperature class II 2 G		Max. surface temp. II 2 D	
				T <sub>ambient ≤ 40 °C</sub>	T <sub>ambient &gt; 40 °C &lt; 55 °C</sub>	T <sub>ambient ≤ 40 °C</sub>	T <sub>ambient &gt; 40 °C &lt; 55 °C</sub>
High pressure mercury vapor HME	6300 lm	125 W	EVM 125 ZM	T4	T4	T115°C	T130°C
High pressure mercury vapor HME	13000 lm	250 W	EVM 250 ZM	T4	T3	T125°C	T140°C
High pressure sodium lamp HSE	5600 lm	70 W	EVS 70 ZM	T5	T4	T95°C	T110°C
High pressure sodium lamp HSE	14000 lm	150 W	EVS 150 ZM	T5	T4	T90°C	T105°C
High pressure sodium lamp HSE	25000 lm	250 W	EVS 250 ZM	T4	T4	T115°C	T130°C
High pressure Metal Halide HIE	17000 lm	250 W	EVH 250 ZM	T4	T3	T125°C	T140°C

<sup>3)</sup> depends on used lamps



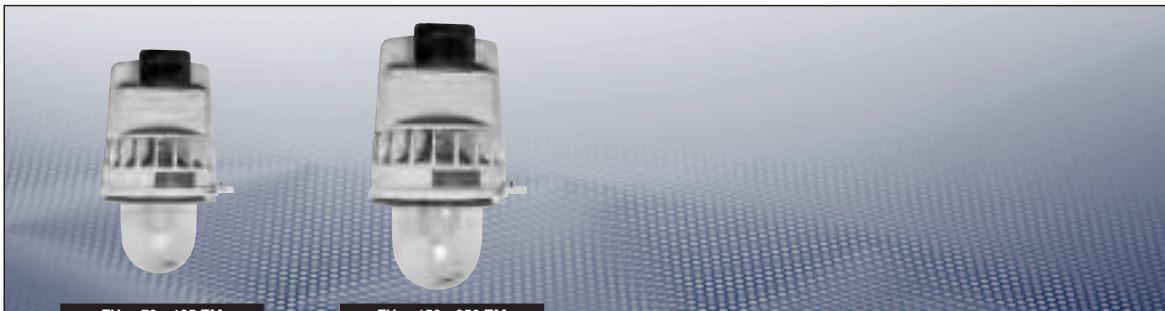
### Ordering details

Type	Lamp	Rated current	Cable entry Ex-e for cable Ø	Weight kg	Order No.
(T ambient -20 °C to +55 °C)					
EVM 125 ZM	HME 125W	1.10 A	9 -14 mm	14.1	NOR 000 115 110 079
EVM 125 ZM	HME 125W	1.10 A	-	14.0	NOR 000 115 110 879
EVM 250 ZM	HME 250W	0.35 A	9 -14 mm	14.0	NOR 000 115 110 080
EVM 250 ZM	HME 250W	2.10 A	-	22.4	NOR 000 115 110 881
EVS 70 ZM	HSE 70W	0.35 A	9 -14 mm	14.1	NOR 000 115 110 086
EVS 70 ZM	HSE 70W	0.35 A	-	14.0	NOR 000 115 110 880
EVS 150 ZM	HSE 150W	0.96 A	9 -14 mm	22.4	NOR 000 115 110 087
EVS 150 ZM	HSE 150W	0.96 A	-	22.4	NOR 000 115 110 883
EVS 250 ZM	HSE 250W	1.70 A	9 -14 mm	22.4	NOR 000 115 110 088
EVS 250 ZM	HSE 250W	1.70 A	-	22.4	NOR 000 115 110 882
EVH 250 ZM	HIT 250W	1.80 A	9 -14 mm	22.4	NOR 000 115 110 046
EVH 250 ZM	HIT 250W	1.80 A	-	22.4	NOR 000 115 110 945

(T ambient -45 °C to +55 °C)					
EVM 125 ZM	HME 125 W	0.96 A	-	14.0	NOR 000 115 110 884
EVM 250 ZM	HME 250 W	0.96 A	-	22.4	NOR 000 115 110 885
EVS 70 ZM	HSE 70 W	1.70 A	-	14.0	NOR 000 115 110 886
EVS 150 ZM	HSE 150 W	1.70 A	-	22.4	NOR 000 115 110 887
EVS 250 ZM	HSE 250 W	1.80 A	-	22.4	NOR 000 115 110 888
EVH 250 ZM	HIT 250 W	1.80 A	-	22.4	NOR 000 115 110 889

Lamps and fixing accessories are not included

## Ex-Pendant light fitting



EV ... 70 - 125 ZM

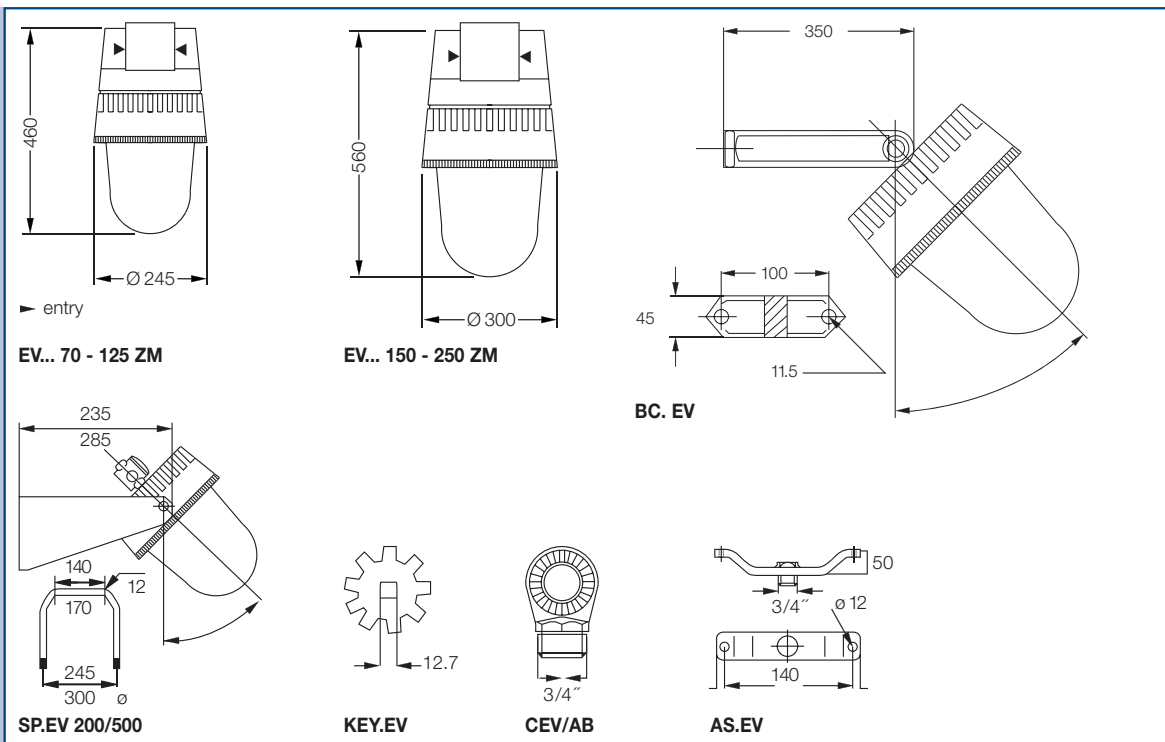
EV ... 150 - 250 ZM

## Accessories

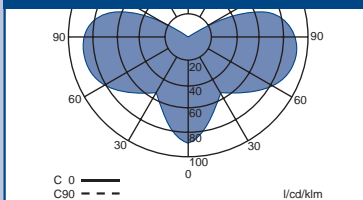
### EVM, EVS, EVH

Type	Type	Application	Order No.
Space glass	REP 200	EV.. 70-125 ..	NOR 000 005 110 969
Spare glass	REP 500	EV.. 150-250 ..	NOR 000 005 110 977
Wire guard	G. EV 200	EV.. 70-125 ..	NOR 000 005 110 860
Wire guard	G. EV 500	EV.. 150-250 ..	NOR 000 005 110 878
External reflector	PC. EV 200	EV.. 70-125 ..	NOR 000 005 110 894
External reflector	PC. EV 500	EV.. 150-250 ..	NOR 000 005 110 901
Lamp key	KEY, EV		NOR 000 005 110 886
Eye bolt	CEV/AB		NOR 000 005 110 852
Ceiling bracket,adjustable	AS. EV		NOR 000 005 110 951
Wall mounting barcket	SPU. EV		NOR 000 005 110 828
Pole mounting bracket	BC. EV		NOR 000 005 110 836
Wall mounting bracket	SP. EV 200	EV 70..-125 ..	NOR 000 005 110 935
Wall mounting bracket	SP. EV 500	EV 150..-250 ..	NOR 000 005 110 943

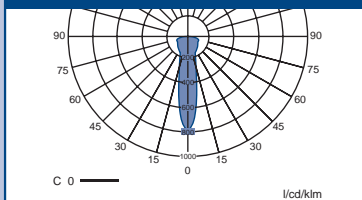
## Dimensions drawing



Polar curve EV 200/500 without external reflector



Polar curve EV 200/500 with external reflector



Dimensions in mm