

Technical data

EVI 200 EVI 500	
Marking to 94/9/EC (new standard – applied for)	Ⓔ II 2 G Ex d IIC T ¹) (direct entry UD) Ⓔ II 2 G Ex de IIC T ¹) (indirect entry XM) Ⓔ II 2 D Ex tD A21 IP67 T ¹) °C
EC-Type Examination Certificate	LOM 02 ATEX 2012 X
IECEX Certificate of Conformity	IECEX BKI 07.0031X
Marking acc. to IECEx	Ex d / de IIC T ¹) Ex tD A21 IP67 T ¹)
Permissible ambient temperature	-20 °C to +55 °C -50 °C to +55 °C
Rated voltage	max. 250 V
Connecting terminals	1 x 2.5 mm ² / 2 x 1.5 mm ² (UD), 2 x 2.5 mm ² (XM); PE ext. 2 x 6 mm ²
Insulation class	I
Lamp/Illuminant	¹⁾
Lamp cap	E 27 (EVI 200) / E 40 (EVI 500)
Rated luminous flux	¹⁾
Light efficiency in operation	75 %
Degree of protection accd. EN 60529	IP67
Cable glands/Gland plates/Enclosure drilling	2 x 3/4" ISO 7/1-thread (Ex-d), one plugged (UD) / 2 x M25 x 1.5, on plugged (XM)
Dimensions (L x W x H)	280 mm x Ø 245 mm (200 UD), 400 x Ø 225 mm (200 XM) 340 mm x Ø 300 mm (500 UD), 460 x Ø 300 mm (500 XM)
Weight	see ordering information
Type of mounting	ceiling mounting
Enclosure material	light alloy
Enclosure colour	grey
Protective cover/protective bowl	borosilicate glass

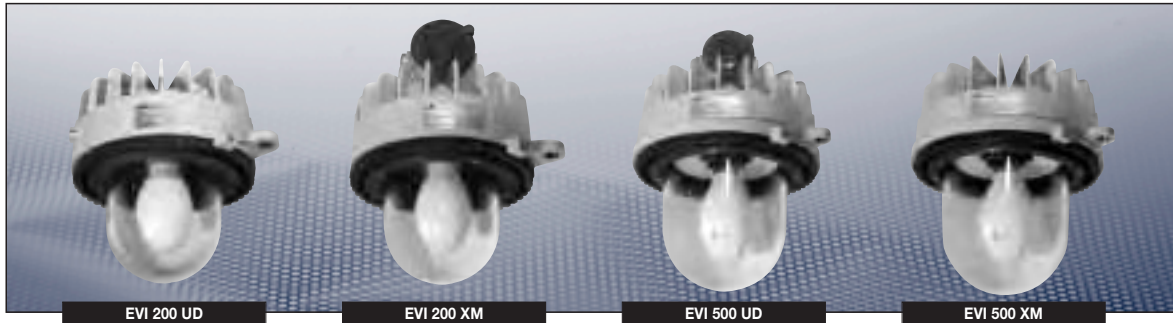
Additional lamp data

Lamp	Luminous flux ²⁾	Power	Type	Temperature class II 2 G		Max. surface temp. II 2 D	
				T _{ambient ≤ 40 °C}	T _{ambient > 40 °C > 55 °C}	T _{ambient ≤ 40 °C}	T _{ambient > 40 °C > 55 °C}
Incandescent IGA 65	2200 lm	150 W	EVI 200	T4	T4	T105 °C	T120 °C
Incandescent IGA 80	3100 lm	200 W	EVI 200	T4	T4	T115 °C	T130 °C
Incandescent IGA 90	5000 lm	300 W	EVI 500	T4	T4	T115 °C	T130 °C
Incandescent IGA 110	8400 lm	500 W	EVI 500	T3	T3	T155 °C	T170 °C
High pressure mercury vapor mixed light HME-SB	3100 lm	160 W	EVI 200	T4	T3	T125 °C	T140 °C
High pressure mercury vapor mixed light HME-SB	5600 lm	250 W	EVI 500	T4	T3	T125 °C	T140 °C
High pressure mercury vapor HME	3800 lm	80 W	EVI 200	T4	T4	T115 °C	T130 °C
High pressure mercury vapor HME	6300 lm	125 W	EVI 200	T4	T4	T115 °C	T130 °C
High pressure mercury vapor HME	13000 lm	250 W	EVI 500	T4	T3	T125 °C	T140 °C
High pressure sodium lamp HSE	5600 lm	70 W	EVI 200	T5	T4	T 95 °C	T110 °C
High pressure sodium lamp HSE	14000 lm	150 W	EVI 500	T5	T4	T 90 °C	T105 °C
High pressure sodium lamp HSE	25000 lm	250 W	EVI 500	T4	T4	T125 °C	T140 °C
High pressure Metal Halide HIE	17000 lm	250 W	EVI 500	T4	T3	T125 °C	T140 °C

¹⁾ see table

²⁾ depends on lamp

Ex-Pendant light fitting



Ordering details

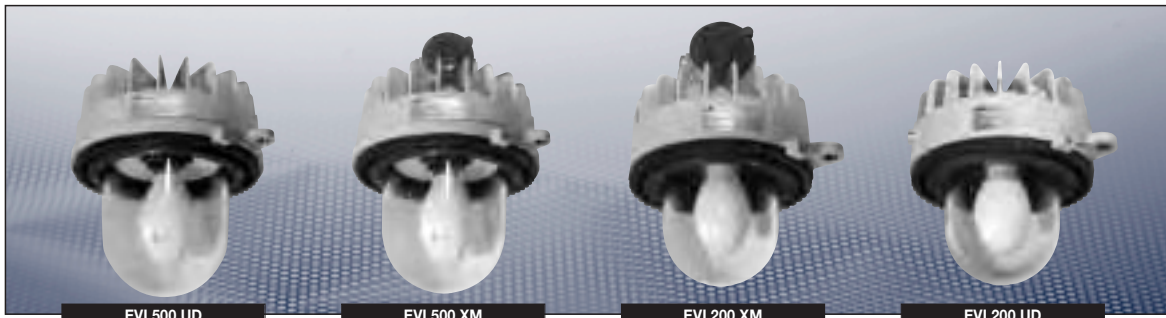
Type ¹⁾	Entry thread	Cable gland for cable Ø	Blanking plug	Weight kg	Order No.
(T ambient -20 °C to +55 °C)					
EVI 200 UD (direct entry)	2 x 3/4"	9 -14 mm Ex-d	1 x 3/4" Ex-d	8.30	NOR 000 005 110 754
EVI 200 UD (direct entry)	2 x 3/4"	–	1 x 3/4" Ex-d	8.20	NOR 000 005 110 753
EVI 500 UD (direct entry)	2 x 3/4"	9 -14 mm Ex-d	1 x 3/4" Ex-d	12.90	NOR 000 005 110 762
EVI 500 UD (direct entry)	2 x 3/4"	–	1 x 3/4" Ex-d	12.80	NOR 000 005 110 761
EVI 200 XM (indirect entry)	2 x M25 x 1.5	9 -14 mm Ex-e	1 x M25 Ex-e	9.10	NOR 000 005 110 941
EVI 200 XM (indirect entry)	2 x M25 x 1.5	–	1 x M25 Ex-e	9.00	NOR 000 115 110 941
EVI 500 XM (indirect entry)	2 x M25 x 1.5	9 -14 mm Ex-e	1 x M25 Ex-e	13.70	NOR 000 005 110 942
EVI 500 XM (indirect entry)	2 x M25 x 1.5	–	1 x M25 Ex-e	13.60	NOR 000 115 110 942

(T ambient -50 °C to +55 °C)					
EVI 200 UD (direct entry)	2 x 3/4"	–	1 x 3/4" Ex-d	8.20	NOR 000 115 110 753
EVI 500 UD (direct entry)	2 x 3/4"	–	1 x 3/4" Ex-d	12.80	NOR 000 005 110 763
EVI 200 XM (direct entry)	2 x 3/4"	–	1 x 3/4" Ex-d	9.00	NOR 000 115 110 943
EVI 500 XM (direct entry)	2 x 3/4"	–	1 x 3/4" Ex-d	13.60	NOR 000 115 110 944

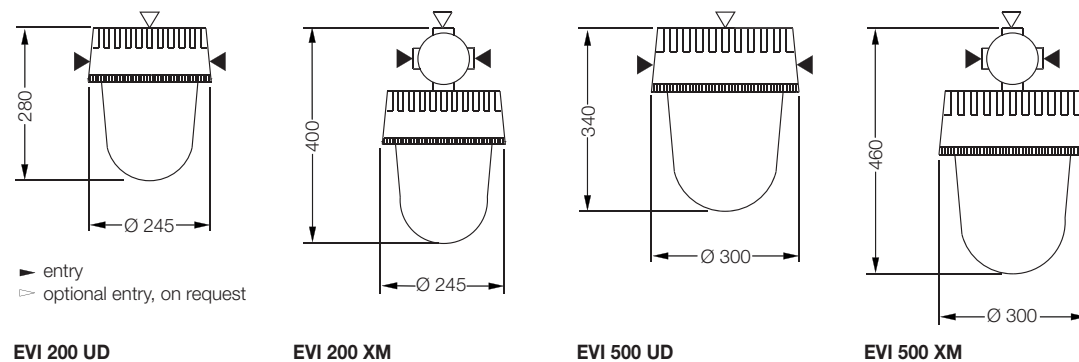
¹⁾ Versions for high pressure lamps (HME, HSE, HIE): flameproof ballast enclosure not included
Lamps and fixing accessories are not included

Accessories

EVI 200, EVI 500			
Content	Type	Application	Order No.
Spare Glass	REP200	EVI 200	NOR 000 005 110 969
Spare glass	REP 500	EVI 500	NOR 000 005 110 977
Wire Guard	G. EV 200	EVI 200	NOR 000 005 110 860
Wire Guard	G. EV 500	EVI 500	NOR 000 005 110 878
External reflector	PC. EV 200	EVI 200 / EVQ 55	NOR 000 005 110 894
External reflector	PC. EV 500	EVI 500 / EVQ 85	NOR 000 005 110 901
Lamp key	KEY, EV	EV ...	NOR 000 005 110 886
Eye bolt	CEV/AB	EV ...	NOR 000 005 110 852
Ceiling bracket,adjustable	AS. EV	EV ...	NOR 000 005 110 828
Wall mounting barcket	SPU. EV	EV ...	NOR 000 005 110 951
Pole mounting bracket	BC. EV	EV ...	NOR 000 005 110 836
Wall mounting bracket	SP. EV 200	EVI 200	NOR 000 005 110 935
Wall mounting bracket	SP. EV 500	EVI 500	NOR 000 005 110 943



Dimensions drawing | Polar curve

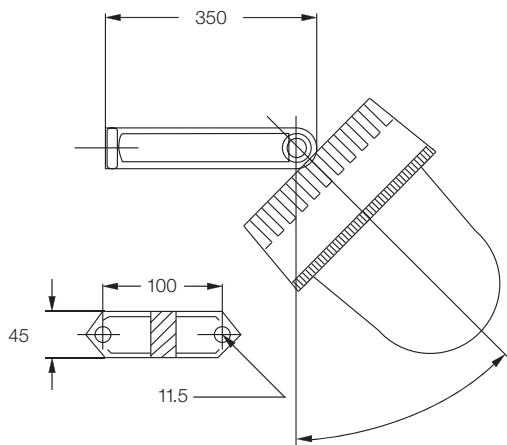


EVI 200 UD

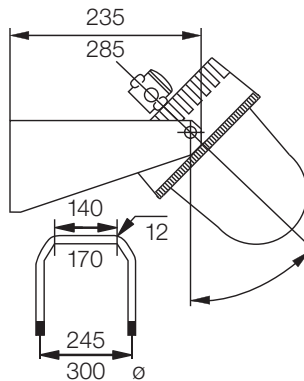
EVI 200 XM

EVI 500 UD

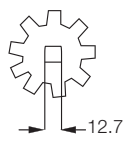
EVI 500 XM



BC.EV/AB



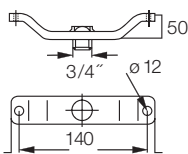
SP.EV 200/500



KEY.EV

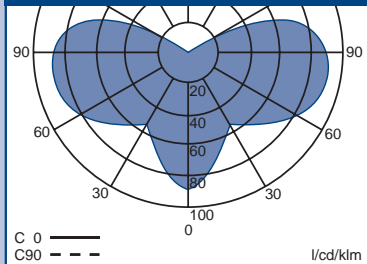


CEV/AB

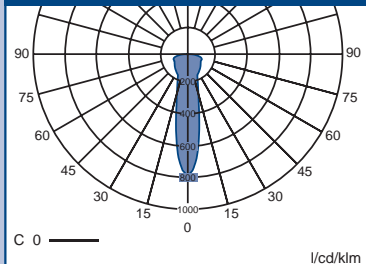


AS.EV/AB

Polar curve EVI 200/500 without external reflector



Polar curve EVI 200/500 with external reflector



Dimensions in mm

Cooper Crouse-Hinds © 2009 - all rights reserved

1
2
3
4
5
6
7
8
9
10
11
12