

Technical data

AB 51 IU AB 51 IX AB 51 M/S	
Marking to 94/9/EC (new standard – applied for)	⊕ II 2 G Ex de IIC T ¹⁾ (indirect entry IX) / Ex d II C T ¹⁾ (direct entry) ⊕ II 2 D Ex tD A21 IP67 T ¹⁾ °C
EC-Type Examination Certificate	LOM 02 ATEX 2020 X
IECEX Certificate of Conformity	IECEX BKI 07.0028X
Marking acc. to IECEx	Ex d/de IIC T ²⁾ Ex tD A21 IP67 T ²⁾
Permissible ambient temperature	-20 °C to +55 °C -45 °C to +55 °C (AB 51 M/S) -50 °C to +55 °C (option)
Rated voltage	max. 250 V (AB 51..) / 230 V AC AB 51 M/S ³⁾
Power factor cos φ	≥ 0.85 (AB 51 M/S)
Connecting terminals	1 x 2.5 mm ² / 2 x 1.5 mm ² (IU), 2 x 2.5 mm ² (IX and M/S), PE ext. 2 x 6 mm ²
Insulation class	I
Lamp/Illuminant	²⁾
Lamp cap	E 27
Rated luminous flux ¹⁾	⁴⁾
Light efficiency in operation	75 %
Degree of protection accd. EN 60529	IP67
Cable glands/Gland plates/Enclosure drilling	2 x 3/4" ISO 7/1-thread (Ex-d), one plugged (IU and M/S) / 2 x M25 x 1.5 one plugged (IX)
Dimensions (L x W x H)	260 mm x Ø 205 mm (IU), 400 x Ø 205 mm (IX), 425 x Ø 205 (M/S)
Weight	see ordering information
Type of mounting	ceiling mounting
Enclosure material	light alloy
Enclosure colour	grey
Protective cover/protective bowl	borosilicate glass

¹⁾ depends on lamp

²⁾ see table

³⁾ others on request

Additional lamp data

Lamp	Luminous flux ²⁾	Power	Temperature class II 2 G		Max. surface temp. II 2 D	
			T _{ambient ≤ 40 °C}	T _{ambient < 40 °C > 55 °C}	T _{ambient ≤ 40 °C}	T _{ambient > 40 °C < 55 °C}
Incandescent IGA 65	2200 lm	150 W	T3	T3	T 132 °C	T 147 °C
Incandescent IGA 80	3100 lm	200 W	T3	T3	T 137 °C	T 152 °C
Halogene lamp IQT	1100 lm	75 W	T5	T4	T 88 °C	T 103 °C
Halogene lamp IQT	2500 lm	150 W ⁴⁾	T4	T3	T 123 °C	T 138 °C
Compact Fluorescent Lamp TC-TSE	900/1200 lm	15 - 20 W ⁵⁾	T6	T6	T 60 °C	T 75 °C
High pressure mercury vapor mixed light HME-SB	1100 lm	100 W	T4	T4	T 110 °C	T 125 °C
High pressure mercury vapor mixed light HME-SB	3100 lm	160 W	T3	T3	T 127 °C	T 142 °C
High pressure mercury vapor HME	3800 lm	80 W	T4	T4	T 112 °C	T 127 °C
High pressure mercury vapor HME	6300 lm	125 W	T3	T3	T 127 °C	T 142 °C
High pressure sodium lamp HSE	3400 lm	50 W	T5	T4	T 86 °C	T 101 °C
High pressure sodium lamp HSE	5600 lm	70 W	T4	T4	T 97 °C	T 112 °C

⁴⁾ T_{amp} max. +40 °C

⁵⁾ T_{amp} max. +30 °C

Ex-Pendant light fittings



Ordering details

Type	Lamp	Entry thread	Cable gland for cable Ø	Blanking plug	Weight	Order No.
(T ambient -20 °C to +55 °C)						
AB 51 IU (direct entry)	all	2 x 3/4"	–	1 x 3/4" Ex-d	3.6 kg	NOR 000 115 110 396
AB 51 IX (indirect entry)	all	2 x M25 x 1.5	–	1 x M25 Ex-e	4.5 kg	NOR 000 115 110 437
AB 51 M 125 V (direct entry) ²⁾	125 W HME	2 x 3/4"	–	1 x 3/4" Ex-d	7.5 kg	NOR 000 115 110 890
AB 51 S 70 V (direct entry) ²⁾	70 W HSE	2 x 3/4"	–	1 x 3/4" Ex-d	7.5 kg	NOR 000 115 110 903

(T ambient -50 °C to +55 °C)						
AB 51 IU (direct entry)	all	2 x 3/4"	–	1 x 3/4" Ex-d	3.6 kg	NOR 000 115 110 397
AB 51 IX (indirect entry)	all	2 x M25 x 1.5	–	1 x M25 Ex-e	4.5 kg	NOR 000 115 110 438

(T ambient -45 °C to +55 °C)						
AB 51 M 125 V (direct entry) ²⁾	125 W HME	2 x 3/4"	–	1 x 3/4" Ex-d	7.5 kg	NOR 000 115 110 891
AB 51 S 70 V (direct entry) ²⁾	70 W HSE	2 x 3/4"	–	1 x 3/4" Ex-d	7.5 kg	NOR 000 115 110 870

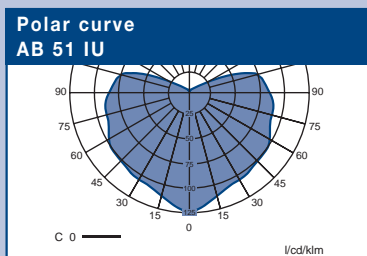
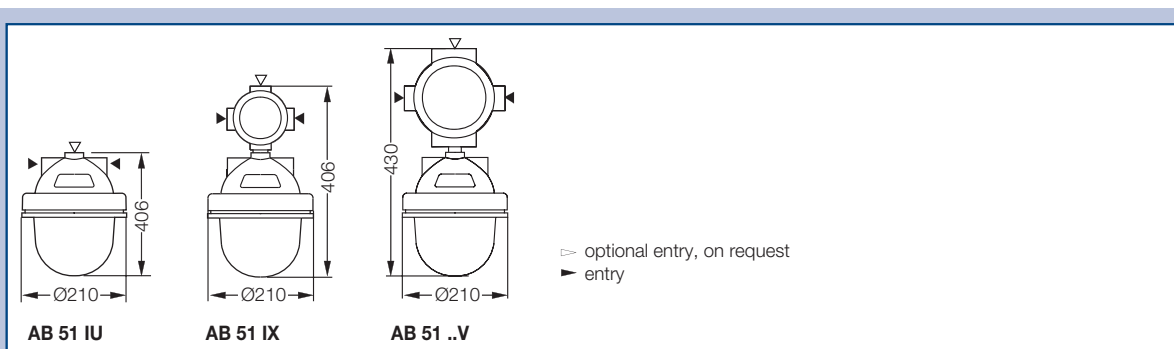
Lamps and fixing accessories are not included

²⁾ including flameproof enclosure with complete control gear

Accessories

AB 51		
Type	Version	Order No.
Spare glass with metal ring	for AB 51	NOR 000 115 110 873
Wire guard	for AB 51	NOR 000 005 110 860
External reflector	for AB 51	NOR 000 005 110 894
Ceiling bracket ANSI 316	for AB 51..	NOR 003 165 110 000
Eye bolt ANSI 316	for AB 51..	NOR 003 165 110 001

Dimensions drawing | Polar curve



Dimensions in mm