

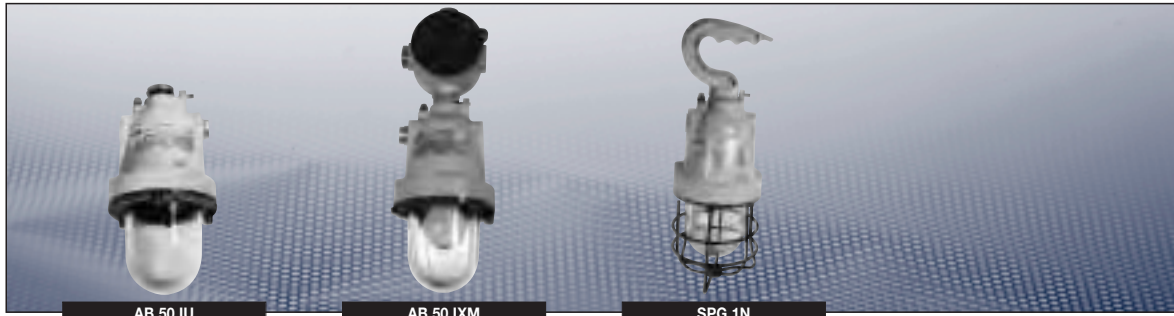
Technical data

AB 50 SPG 1N	
Marking to 94/9/EC (new standard – applied for)	Ⓔ II 2 G Ex d IIC T3 (direct entry IU); T4 with 60 W at $t_{amp} +40\text{ °C}$ ¹⁾ Ⓔ II 2 G Ex de IIC T3 (indirect entry IXM) Ⓔ II 2 D Ex tD IP67 T180 °C, T130 with 60 W at +40 °C
EC-Type Examination Certificate	LOM 02 ATEX 2018 X
Permissible ambient temperature	-20 °C to +55 °C -50 °C to +55 °C (option: AB 50)
Rated voltage	max. 250 V
Power consumption	max. 100 VA
Connecting terminals	1 x 2.5 mm ² / 2 x 1.5 mm ² (IU and SPG1N), 2 x 2.5 mm ² , PE 2 x 6 mm ² (IXM)
Insulation class	I
Incandescent lamp	60 W, 100 W, 75 W halogene ²⁾
Lamp cap	E 27
Rated luminous flux ¹⁾	710 lm / 1360 lm
Light efficiency in operation	68 %
Degree of protection accd. EN 60529	IP67
Cable glands/Gland plates/Enclosure drilling	2 x 3/4" ISO 7/1-thread (Ex-d), one plugged (UI) / 2 x M25 x 1,5 (IXM), SPG1N incl. cable gland
Dimensions (L x W x H)	see dimension drawing
Weight	see table
Type of mounting	ceiling mounting
Enclosure material	light alloy
Enclosure colour	grey
Protective cover/protective bowl	borosilicate glass

¹⁾ depends on lamp

²⁾ 75 W halogene lamp max $t_{amp} = +40\text{ °C}$

Ex-Pendant light fittings



Ordering details

Type	Entry thread	Cable gland for cable Ø	Blanking plug	Weight	Order No.
(T ambient -20 °C to +55 °C)					
AB 50 IU (direct entry)	2 x 3/4"	9 - 14 mm Ex-d	1 x 3/4" Ex-d	1.6 kg	NOR 000 115 110 292
AB 50 IU (direct entry)	2 x 3/4"	-	-	1.5 kg	NOR 000 115 110 289
AB 50 IXM (indirect entry)	2 x M25 x 1.5	9 - 14 mm Ex-e	1 x M25 x 1.5 Ex-e	2.3 kg	NOR 000 115 110 321
AB 50 IXM (indirect entry)	2 x M25 x 1.5	-	-	2.2 kg	NOR 000 115 110 320
SPG 1N (portable light fixture)	1 x 3/4"	9 - 14 mm Ex-d	-	2.2 kg	NOR 000 005 110 745

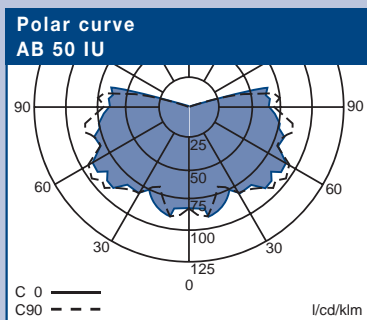
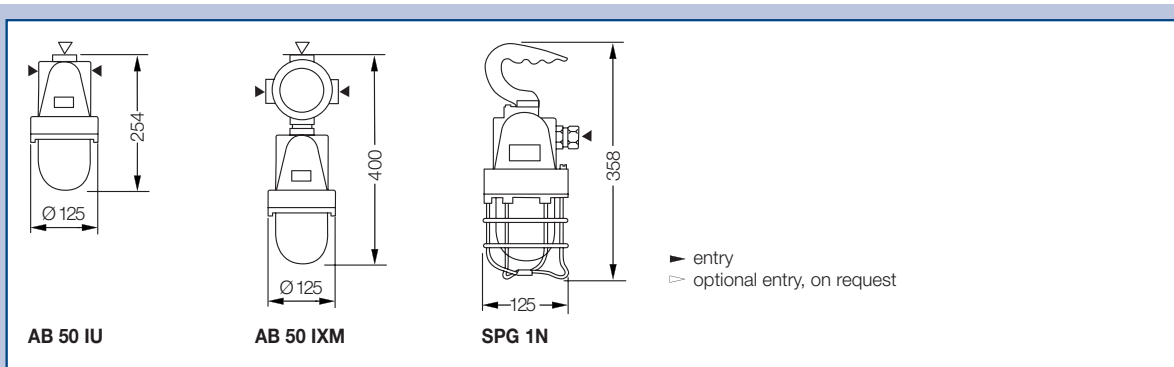
(T ambient -50 °C to +55 °C)					
AB 50 IU (direct entry)	2 x 3/4"	-	-	1.6 kg	NOR 000 115 110 389
AB 50 IXM (indirect entry)	2 x M25 x 1.5	-	-	2.2 kg	NOR 000 115 110 420

Lamps and fixing accessories are not included

Accessories

AB 50/SPG 1N		
Type	Version	Order No.
Spare glass REP AB 50	for AB 50	NOR 000 115 110 874
Wire guard	for AB 50	NOR 000 115 110 875
External reflector	for AB 50	NOR 000 115 110 718
Eye bolt	for AB 50	NOR 000 005 110 852
Ceiling bracket	for AB 50	NOR 000 005 110 828

Dimensions drawing | Polar curve



Dimensions in mm