

Technical data

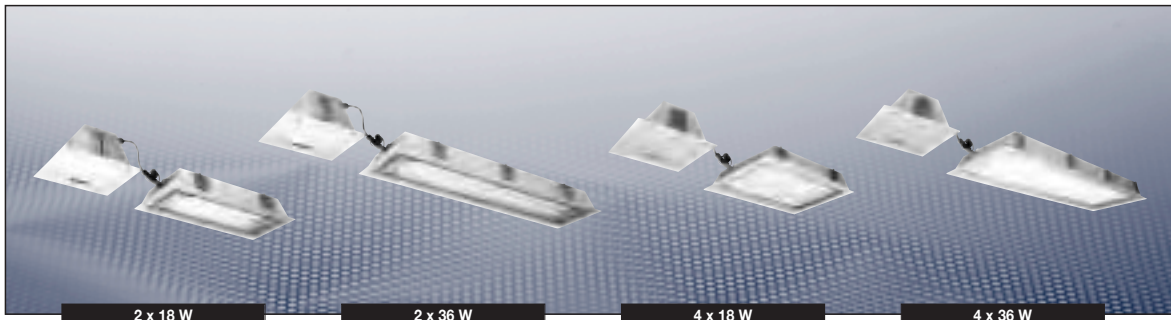
eLLB 20018/18 NIB	eLLB 20418 NIB	eLLB 20036/36 NIB	eLLB 20436 NIB
Marking to 94/9/EC (new standard – applies for)	Ex II 2 G EEx edm ib IIC T4 / Ex II 2 G IP66 T80 °C Ex II 2 G Ex dem ib IIC T4 / Ex II 2 D Ex tD A21 IP66 T80 °C		
EC-Type Examination Certificate	DMT 02 ATEX E 069		
Permissible ambient temperature	-20 °C to +50 °C (appecified data: -5 °C to +35 °C)		
Rated voltage	220 - 254 V AC		
Rated voltage (option)	110 - 127 V AC		
Frequency	50 - 60 Hz		
Power factor cos φ	≥ 0.95		
Circuit	EVG with emergency lighting supply		
Connecting terminals	L1, L2, L3, L, N, PE; max. 2 x 6 mm ² per terminal, through-wiring double-ended		
Insulation class	I		
Lamp cap	G 13 accd. to IEC 60081		
Degree of protection accd. EN 60529	IP66		
Cable glands/gland plates/enclosure drilling	Ex-e cable glands M25 x 1.5 (plastic) for cables Ø 8 - 17 mm Option: M20 x 1.5 metal thread		
Enclosure material	Painted steel sheet, white optional polished stainless steel		
Enclosure colour	white, optional stainless steel		
Protective cover/protective bowl	Single-safety glass pane of 6 mm thick		
Permissible ceiling thickness for fixing accessories	min. 25 mm to max. 90 mm		

	eLLB 20018/18 NIB	eLLB 20418 NIB
Rated current	0.23 A	0.41 A
Lamp/illuminant	2 x T26 / 18 W (T8)	4 x T26 / 18 W (T8)
Rated luminous flux	2700 lm	5400 lm
Luminous flux in emergency operation (1.5 h, one lamp) ¹⁾	1215 lm (90 %)	1215 lm (90 %)
Luminous flux in emergency operation (3 h, one lamp) ¹⁾	607 lm (45 %)	607 lm (45 %)
Light efficiency in operation	70 %	69 %
Dimensions (L x W x H)	862 x 340 x 120 mm	862 x 490 x 120 mm
Weight	approx. 18 kg	approx. 29 kg

	eLLB 20036/36 NIB	eLLB 20436 NIB
Rated current	0.40 A	0.74 A
Lamp/illuminant	2 x T26 / 36 W (T8)	4 x T26 / 36 W (T8)
Rated luminous flux	6700 lm	13400 lm
Luminous flux in emergency operation (1.5 h, one lamp) ¹⁾	1507 lm (45 %)	1507 lm (45 %)
Luminous flux in emergency operation (3 h, one lamp) ¹⁾	873 lm (25 %)	873 lm (25 %)
Light efficiency in operation	70 %	69 %
Dimensions (L x W x H)	1460 x 340 x 120 mm	1460 x 490 x 120 mm
Weight	approx. 25 kg	approx. 38 kg

Battery housing	
Battery	Battery set with 7 Ah-NC battery, with LED display and monitoring via microprocessor
Battery housing	Connection via 1.5 long connection lead with plugs
Rated emergency lighting operation	1-lamps can be set on site for an emergency lighting duration of 1.5 or 3 hours
Charging duration	> 14 h
Cable glands/gland plates/enclosure drilling ¹⁾	Connection via 1.5 long connection lead with plugs eXLink
Dimensions (L x W x H)	350 x 340 x 143 mm
Weight	approx. 5.7 kg

¹⁾ depends on used lamps



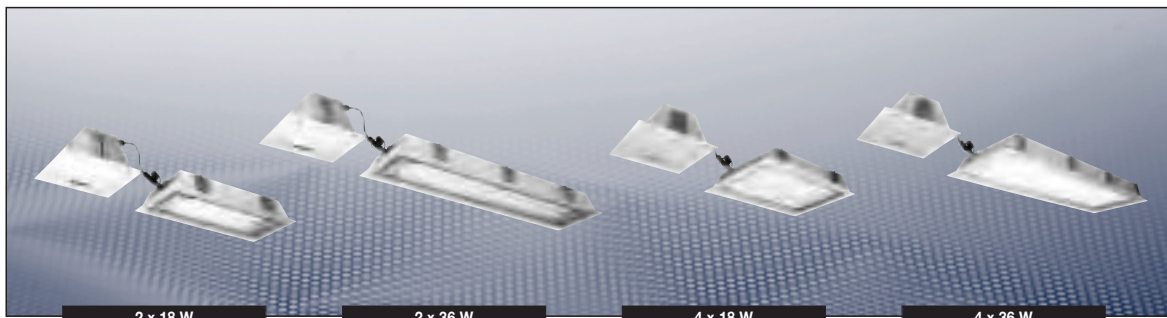
Ordering details

Type	Cable gland ²⁾	Enclosure	Order No.
Type eLLB 20018/18 NIB			
eLLB 20018/18 NIB	M25K	painted steel sheet	1 2190 218 002
eLLB 20018/18 NIB	M25K	stainless steel 316	1 2190 218 012
eLLB 20018/18 NIB	M20M ¹⁾	painted steel sheet	1 2190 218 102
eLLB 20018/18 NIB	M20M ¹⁾	stainless steel 316	1 2190 218 112
Type eLLB 20036/36 NIB			
eLLB 20036/36 NIB	M25K	painted steel sheet	1 2190 236 002
eLLB 20036/36 NIB	M25K	stainless steel 316	1 2190 236 012
eLLB 20036/36 NIB	M20M ¹⁾	painted steel sheet	1 2190 236 102
eLLB 20036/36 NIB	M20M ¹⁾	stainless steel 316	1 2190 236 112
Type eLLB 20418 NIB			
eLLB 20418 NIB	M25K	painted steel sheet	1 2190 418 002
eLLB 20418 NIB	M25K	stainless steel 316	1 2190 418 012
eLLB 20418 NIB	M20M ¹⁾	painted steel sheet	1 2190 418 102
eLLB 20418 NIB	M20M ¹⁾	stainless steel 316	1 2190 418 112
Type eLLB 20436 NIB			
eLLB 20436 NIB	M25K	painted steel sheet	1 2190 436 002
eLLB 20436 NIB	M25K	stainless steel 316	1 2190 436 012
eLLB 20436 NIB	M20M ¹⁾	painted steel sheet	1 2190 436 102
eLLB 20436 NIB	M20M ¹⁾	stainless steel 316	1 2190 436 112

¹⁾ M: with metal thread, without cable gland

²⁾ With dustcover if entry/thread is not closed

Scope of delivery without lamp and fixing accessories.



Accessories

Lamp for luminaire eLLB 20... NIB

Type of lamp socket/ Diameter	Power	Luminous flux Light colour	Order No.
Bi-pin socket G13 T26/Ø 26 mm (T8) G13-60081-IEC-2220-1	18 W	1200 lm universal white	3 2475 900 081
		1350 lm universal white	3 2475 900 001
Bi-pin socket G13 T26/Ø 26 mm (T8) G13-60081-IEC-2420-1	36 W	2850 lm universal white	3 2475 900 082
		3350 lm universal white	3 2475 900 002
Aura-Ultimate T26/Ø 26 mm (T8) Longlife G13-socket	18 W	1300 lm universal white	3 2475 900 087
	36 W	3350 lm universal white	3 2475 900 088

Fixing materials eLLB 20... NIB

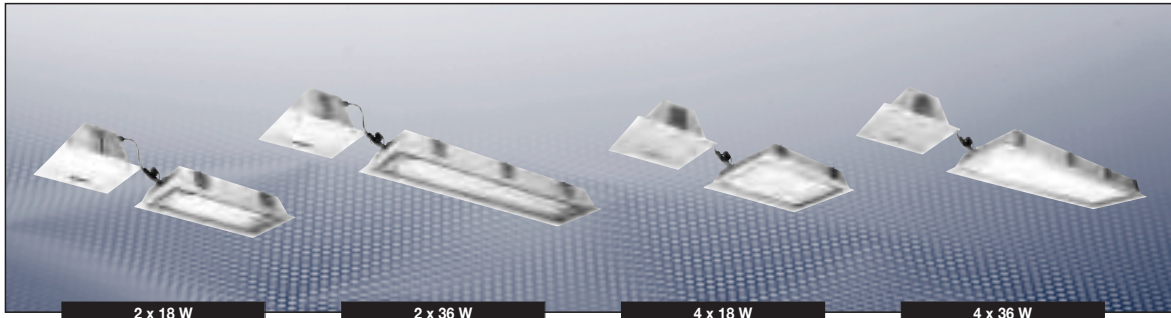
Type/code	Corrosion protection	Qty. per light fitting	Order No.
Eye bolt A2	galvanized	2	2 2480 002 000
Hexagon screw S4	stainless steel	2	2 2480 054 000
Ceiling mounting bracket D92 incl. screws and washer	stainless steel	2	2 2480 092 000

Fixing materials eLLB 20... NIB

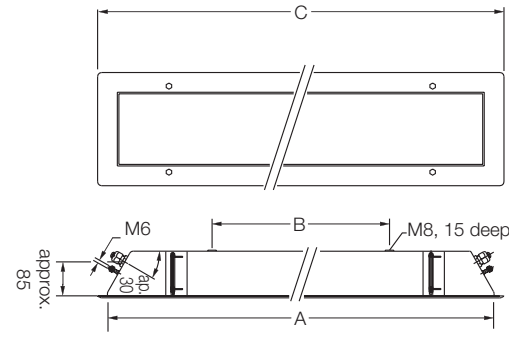
Type/code	Corrosion protection	for pipes DIN	Outer Ø D (mm)	Qty. per light fitting	Order No.
Pipe clamp					
R12	hot galvanized	1 1/4"	38 - 42	2	2 2480 462 000
R14	CrNi	1 1/4"	38 - 42	2	2 2480 464 000
R22	hot galvanized	1 1/2"	47 - 51	2	2 2480 472 000
R24	CrNi	1 1/2"	47 - 51	2	2 2480 474 000
R32	hot galvanized	2"	56 - 60	2	2 2480 482 000
R34	CrNi	2"	56 - 60	2	2 2480 484 000
Luminaire wall suspension 30° incl. screws and washer	hot galvanized			2	2 2480 000 122

Spare part battery eLLB 20... NIB

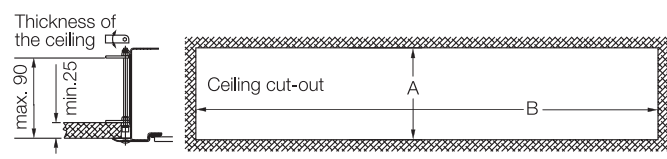
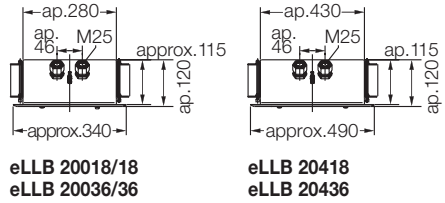
Type	Order No.
Battery set Type 2710-3 with LED display and micro-processor monitoring, complete	2 2710 904 000



Dimension drawing | Polar curve

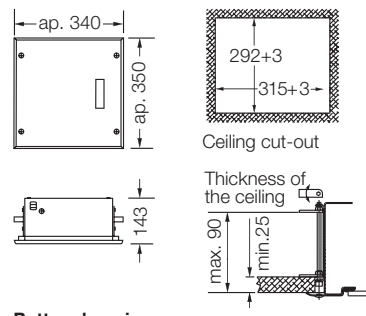


	A	B	C
eLLB 20018/18	802	400	862
eLLB 20036/36	1400	700	1460
eLLB 20418	802	400	862
eLLB 20436	1400	700	1460

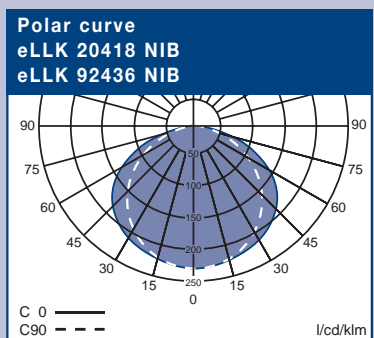
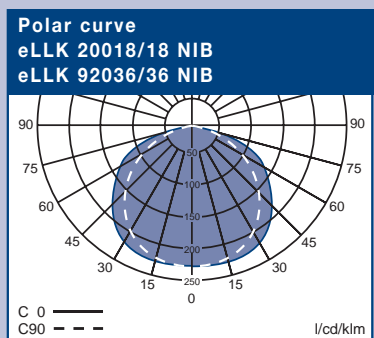


	A	B
eLLB 20018/18	315+3	832+5
eLLB 20036/36	315+3	1432+5
eLLB 20418	465+3	832+5
eLLB 20436	465+3	1432+5

eLLB 20018/18 / eLLB 20036/36 / eLLB 20418 / eLLB 20436



Battery housing



Dimensions in mm

Cooper Crouse-Hinds © 2009 - all rights reserved