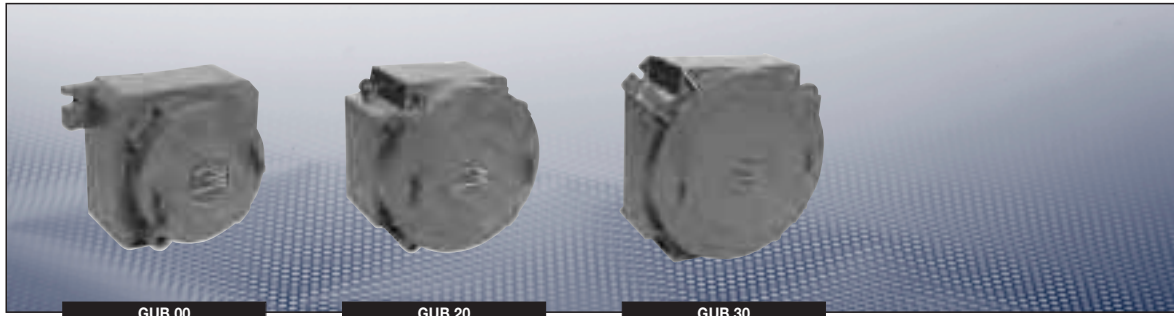


Ex-Panels and Racks



Technical data

Ex d Light Alloy Enclosure

Marking 94/9/EC	II 2 G Ex d IIC T6 - T4 II 2 D IP67 T ¹⁾
EC-Type Examination Certificate	LOM 03 ATEX 3107U
Permissible ambient temperature	-20 °C to +40 °C
Rated voltage	690 V
Rated current	max. 250 A
Insulation class	I
Degree of protection accd. EN 60529	IP67
Cable glands/enclosure drilling	¹⁾
Dimensions (L x W x H)	¹⁾
Weight	¹⁾
Enclosure material	light alloy
Enclosure colour	grey coating

¹⁾ see table

Ordering details

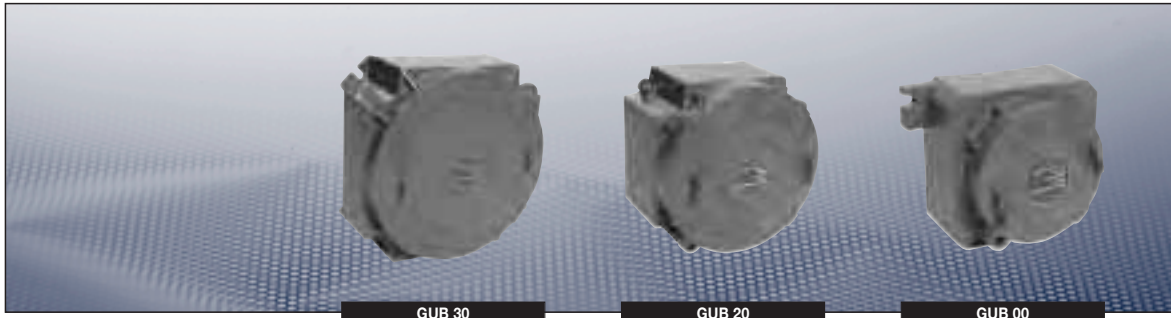
Type	Dissipated power			Rated current max.	Weight approx.	Order No.
	T6	T5	T4			
Ex d Light Alloy Enclosure GUB						
GUB 00	60	85	150	60 A	3.20 kg	NOR 000 001 160 116
GUB 20	100	145	255	150 A	6.20 kg	NOR 000 001 160 124
GUB 30	140	200	360	250 A	10.20 kg	NOR 000 001 160 132

Max. entries per side

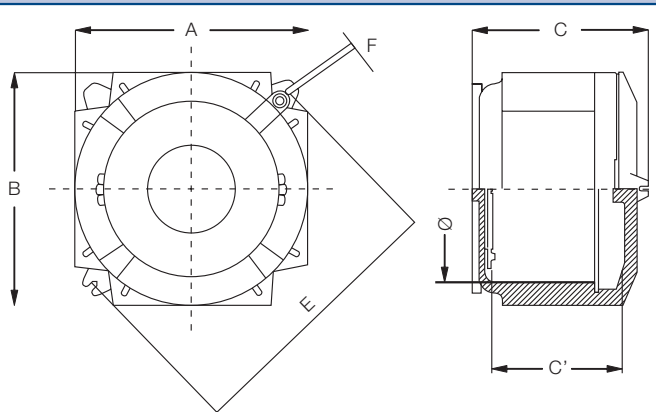
Type	1/2"	3/4"	1"	1 1/4"	1 1/2"	2"	2 1/2"
GUB 00	4	3	2	2	2	-	-
GUB 20	6	5	3	2	2	1	1
GUB 30	10	8	5	3	3	2	2

These enclosures can provide according to LOM 04 ATEX 2018 certification with the following electrical apparatus:

Bus-bars, Terminals, Low voltage transformers, Air circuit breakers, Automatic circuit breakers, Control and operations circuits, Servomotors without ventilation, Starters and ballasts for discharge lamps, Electronic apparatus, Associated SI apparatus, etc., According customer needs.



Dimension drawing



Ex d Light Alloy Enclosure GUB

Type	External		Internal			Mounting		
	A	B	C	A'	B'	C'	E	F
GUB 00	170	170	135	125	125	74	210	9
GUB 20	215	215	195	175	175	139	250	11
GUB 30	333	333	180	295	295	120	370	11

Dimensions in mm