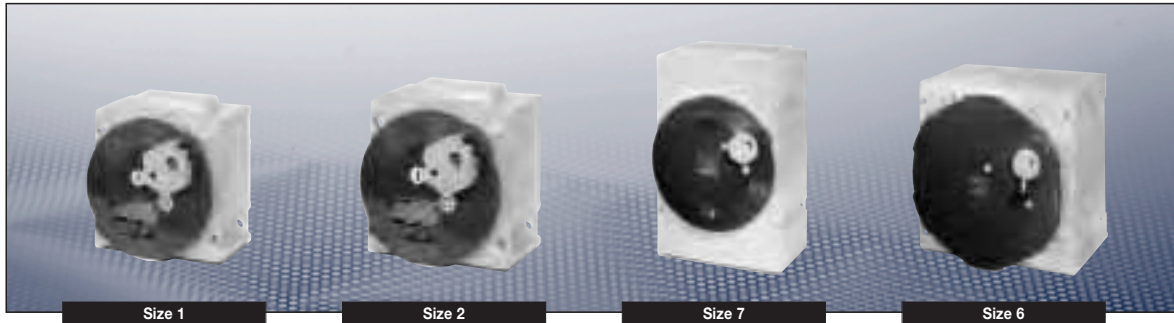


Ex-Control and distributions systems



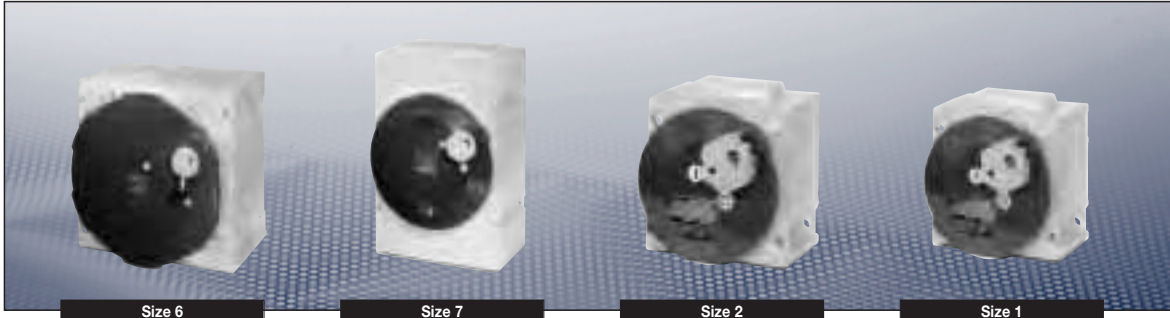
Technical data

Ex d Light alloy empty enclosures

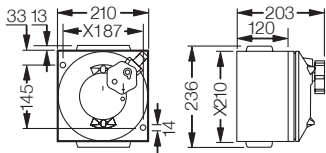
Marking to 94/9/EC	Ex II 2 G Ex de ia/ib [ja/ib] II Ex II 2 D Ex tD A21 IP66
EC Type Examination Certificate	PTB 98 ATEX 1054 U
Permissible ambient temperature	-20 °C to +40 °C -55 °C to +55 °C (option)
Rated voltage	690 V
Rated current	630 A
Terminal cross-section	up to 240 mm ²
Degree of protection acc. to EN 60529	IP54 (IP66 on request)
Weight	see ordering details
Enclosure material	aluminium die-cast housing
Enclosure colour	coating suited for tropical and marine climates finish polyester coating in RAL 7032/7022

Ordering details

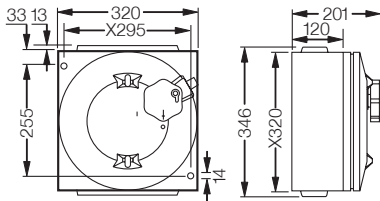
Version	Power dissipation		Rated current	Weight	Order No.
	T6	T5			
Ex d light alloy empty enclosures					
Size 1	80 W	120 W	125 A	8 kg	on request
Size 2	150 W	210 W	260 A	16 kg	on request
Size 4	210 W	280 W	400 A	23 kg	on request
Size 5	300 W	420 W	400 A	40 kg	on request
Size 7	300 W	420 W	400 A	55 kg	on request
Size 6	700 W	975 W	630 A	195 kg	on request



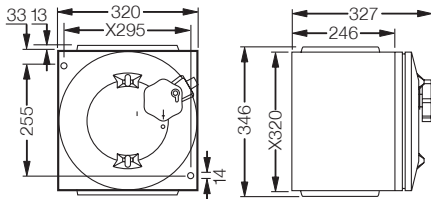
Dimension drawing



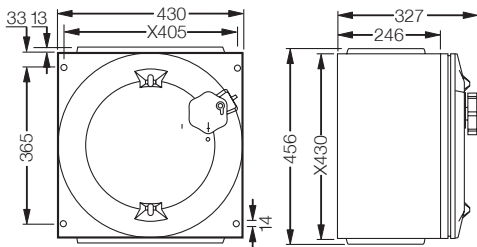
Size 1



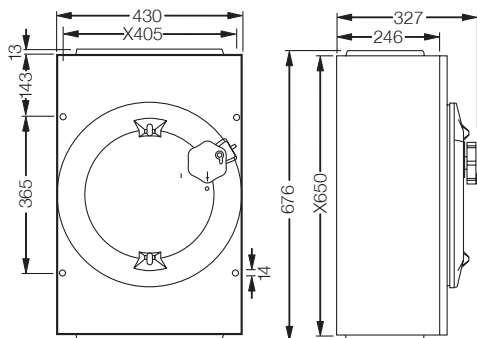
Size 2



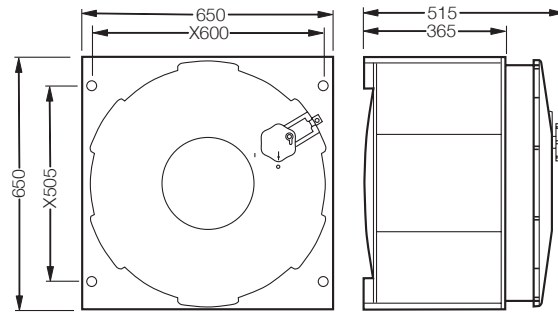
Size 4



Size 5



Size 7



Size 6

X = fixing dimensions

Dimensions in mm

1
2
3
4
5
6
7
8
9
10
11
12