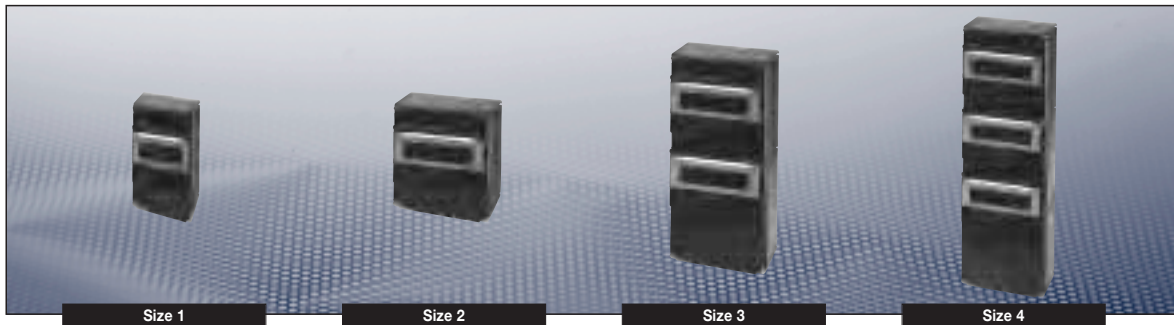


Ex-e-Empty enclosures in plastic design



Technical data

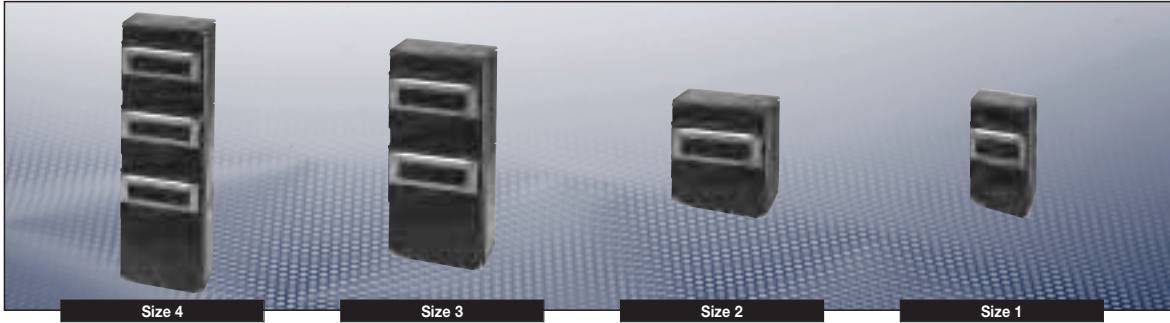
Empty enclosures made of moulded plastic

Marking to 94/9/EC	Ⓔ II 2 G Ex de IIC T6, T5, T4 / Ⓔ II 2 D Ex tD A21 IP66 T80 °C / T95 °C ¹⁾
EC Type Examination Certificate	PTB 99 ATEX 1044
IECEX Certificate of Conformity	IECEX BK1 06.0007
Marking accord. to IECEx	Ex de ia/ib m [ia/ib] T4 ... T6 Ex tD A21 IP66 T80 °C
Permissible ambient temperature	-20 °C to +40 °C -55 °C to +55 °C (option)
Rated voltage	690 V
Rated current	180 A
Insulation class	I
Terminal cross-section	up to 240 mm ²
Cable gland	acc. to customer specification
Degree of protection acc. to EN 60529	IP66
Weight	see ordering details
Enclosure material	Glass-fibre reinforced polyester
Enclosure colour	black

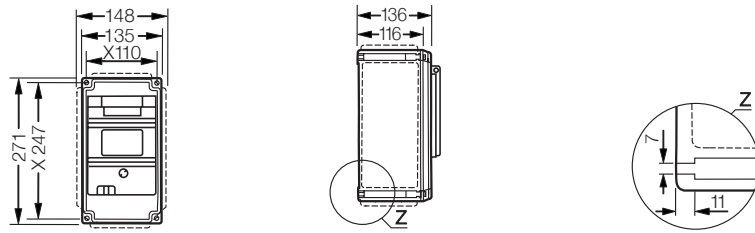
¹⁾ depends on installed components

Ordering details

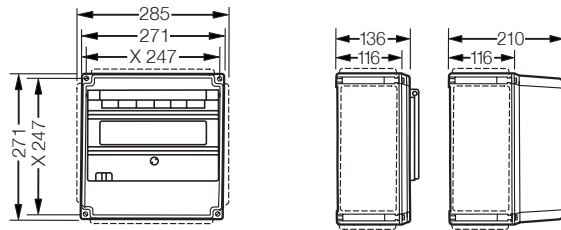
Version	Mounting width	Weight approx.	Order No.
Size 1: 1 Mounting space 106 mm			
Cover closed	106 mm	1.5 kg	GEH 001 00
Cover cut-out with small actuating flap	106 mm	1.9 kg	GEH 001 01
Size 2: 1 Mounting space 213 mm			
Cover closed	213 mm	2.5 kg	GEH 002 00
Cover cut-out with 1 actuating flap	213 mm	3.2 kg	GEH 002 01
Cover raised for insertion of main switch = 80 A		3.3 kg	GEH 002 02
Size 3: 2 Mounting space 213 mm			
Cover closed	2 x 213 mm	4.5 kg	GEH 003 00
Cover cut-out with 1 actuating flap	2 x 213 mm	5.2 kg	GEH 003 01
Cover cut-out with 2 actuating flaps	2 x 213 mm	5.9 kg	GEH 003 02
Cover with 1 actuating flap and main switch ≤ 40 A	1 x 213 mm	6.2 kg	GEH 003 03
Cover raise for insertion of main switch ≥ 80 A to 180 A		5.5 kg	GEH 003 04
Size 4: 3 Mounting space 213 mm			
Cover closed	3 x 213 mm	5.5 kg	GEH 004 00
Cover cut-out with 1 actuating flap	3 x 213 mm	6.2 kg	GEH 004 01
Cover cut-out with 2 actuating flaps	3 x 213 mm	6.9 kg	GEH 004 02
Cover cut-out with 3 actuating flaps	3 x 213 mm	7.6 kg	GEH 004 03
Cover with 2 actuating flaps and main switch ≤ 40 A	1 x 213 mm	8.1 kg	GEH 004 04



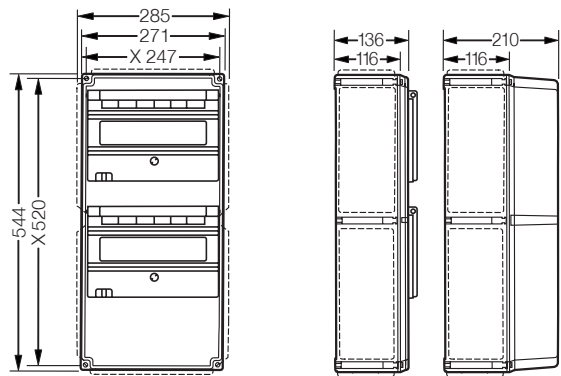
Dimension drawing



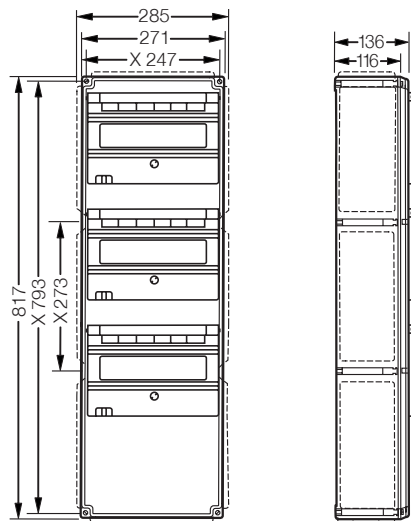
Size 1



Size 2



Size 3



Size 4

X = fixing dimensions

Dimensions in mm