

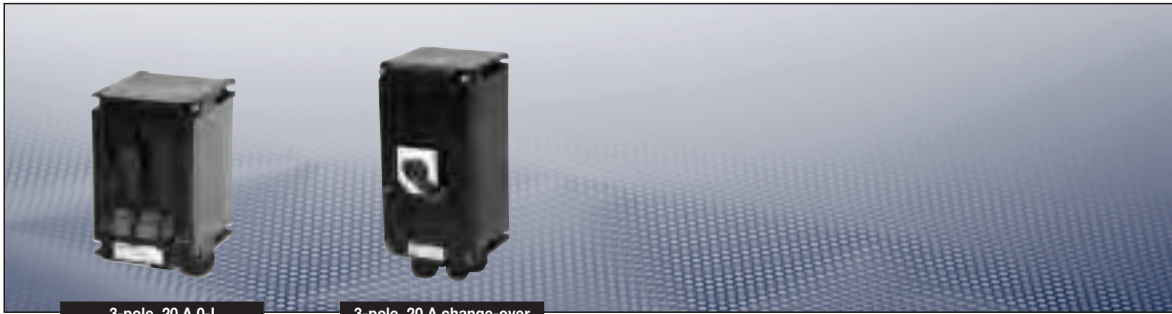


Technical data

Ex-Main current switch 20 A		
Marking to 94/9/EC	Ⓔ II 2 G Ex ed ia IIC T6 / Ⓔ II 2 D Ex tD A21 IP66 T80 °C	
EC-Type Examination Certificate	PTB 99 ATEX 1161	
IECEX Certificate of Conformity	BKI 07.0012	
Marking accd. to IECEx	Ee ed ia IIC T6 Ex tD A21 IP66 T55 °C	
Permissible ambient temperature	-20 °C to +40 °C ¹⁾	
Rated voltage	up to max. 690 V	
Rated current	max. 20 A	
Frequency	50/60 Hz	
Switch rating AC3	230 V AC	20 A
	400 V AC	20 A
	500 V AC	16 A
	690 V AC	10 A
Back up fuse	up to 400 V AC	max. 35 A gL
	up to 500 V AC	max. 35 A gL
	up to 690 V AC	max. 25 A gL
Main contact	2 x 4 mm ²	
Aux./Signal contact	2 x 0.5 - 2.5 mm ²	
Insulation class	I	
Degree of protection accd. EN 60529	IP66	
Cable glands/enclosure drilling	M25 (d = 8 - 17 mm) see ordering details M32 (d = 12 - 21 mm) see ordering details Option: metal flange with thread	
Weight	approx. 1.40 kg	
Enclosure material	glass-fibre reinforced polyester	
Enclosure colour	black	

¹⁾ Other ambient temperatures on request

Ex-Main current switches



Ordering details

Version	Cable entry	Order No.
Main current switch 20 A 3-pole		
3-pole	0 - I	2 x M32 ON-OFF switch GHG 262 1301 R0001
	0 - Y - D	3 x M32 star-delta GHG 262 0016 R0004
	0 - I - II	3 x M32 Dahlander GHG 262 0016 R0005
Safety switch 20 A 3-pole		
Version with 2 auxiliary contact (1 x NO; 1 x NC)		
3-pole	I - II	3 x M32/1 x M25 change-over switch GHG 262 0016 R0001
	I - 0 - D	3 x M32/1 x M25 change-over switch GHG 262 0016 R0002
	I - 0 - II	3 x M32/1 x M25 reversing switch GHG 262 0016 R0003

Customized version on request, auxiliary contacts in EEx ia available

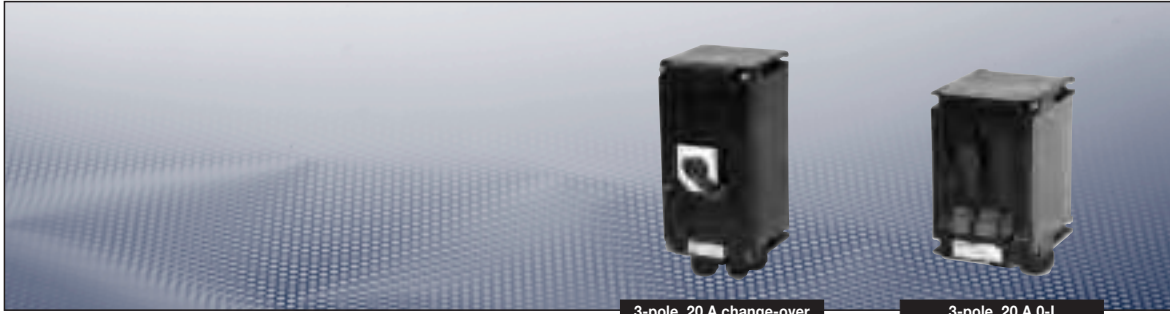
Accessories

Mounting plate for Ex-main current switch 20 A 3-pole			
Type	Application	Fixing technique	Order No.
Size 2	Wall mounting	snap-on	GHG 610 1953 R0104
Size 2	Pipe mounting	snap-on	GHG 610 1953 R0105
Size 2	Trellis mounting	snap-on	GHG 610 1953 R0106

Accessories for mounting plates		
Type	OU	Order No.
Label holder with label (unlabelled) for mounting plates size 1, 2, 2A and 3	10	GHG 610 1953 R0057
Snap-on for CEAG apparatus with 5.5 mm and 11 mm mounting feet 1 set = 4 each	10	GHG 610 1953 R0041
Installation kit for pipes 1" (of 27 - 30 mm) for mounting plates for pipe mounting	10	GHG 610 1953 R0020

Accessories for canopies plates			
Type	Application	OU	Order No.
Size 2	for mounting plate size 2	1	GHG 610 1955 R0102
Size 2A	for mounting plate size 2A	1	GHG 610 1955 R0103

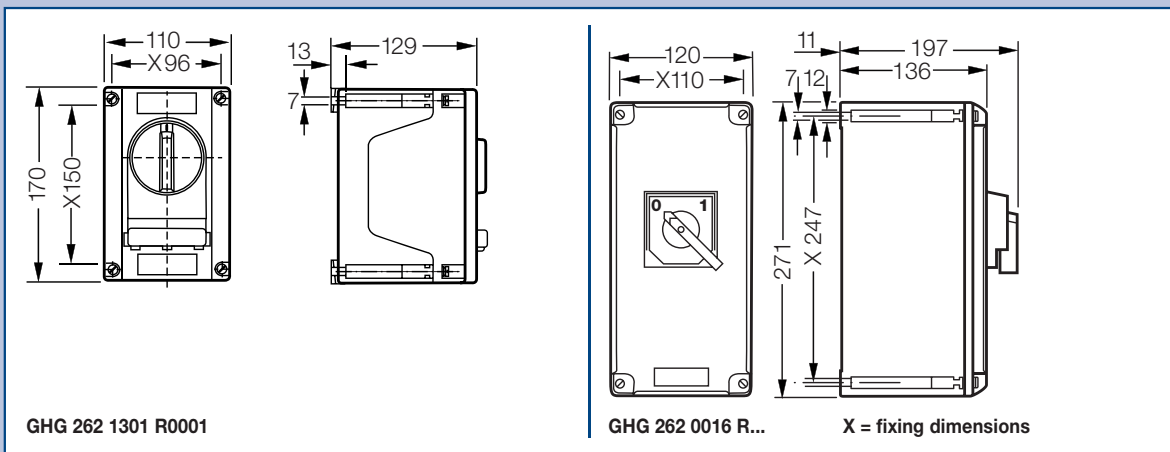
Please note that we can only deliver in the ordering units (OU) stated in the tables above



3-pole, 20 A change-over

3-pole, 20 A 0-1

Dimension drawing



Cooper Crouse-Hinds © 2009 - all rights reserved

Dimensions in mm