



**Technical data**

Industrial-Safety switch 80 A		
Permissible ambient temperature	-20 °C to +40 °C	
Rated voltage	up to max. 690 V	
Rated current	max. 80 A	
Frequency	50/60 Hz	
Switch rating AC3	230 V AC	80 A
	400 V AC	80 A
	500 V AC	80 A
	690 V AC	80 A
Back up fuse	up to 400 V AC	max. 160 A gL
	up to 500 V AC	max. 160 A gL
	up to 690 V AC	max. 125 A gL
Main contact	2 x 25 mm <sup>2</sup>	
Aux./Signal contact	2 x 4 mm <sup>2</sup>	
Insulation class	I	
Degree of protection accd. EN 60529	IP66	
Cable glands/enclosure drilling	M25 (d = 8 - 17 mm) see ordering details M50 (d = 21 - 35 mm) see ordering details Option: metal flange with 2 x thread	
Weight	3-pole	approx. 6.50 kg
	6-pole	approx. 9.00 kg
Enclosure material	glass-fibre reinforced polyester	
Enclosure colour	black	
Auxiliary contact	1 x NO making - lagging; breaking - leading 1 x NC making - leading; breaking - lagging	
Padlocking	can be locked in OFF position with 3 commercially available padlocks	

Cooper Crouse-Hinds © 2009 - all rights reserved

1

2

3

4

5

6

7

8

9

10

11

12

## Industrial safety switches



3-pole

3-pole EMERGENCY STOP

6-pole

6-pole EMERGENCY STOP

### Ordering details

Version	Cable entry	Order No.
Industrial-Safety switch 80 A 3-pole		
Version with 2 auxiliary contacts (1 x NO; 1 x NC)		
3-pole	2 x M50 / 1 x M25	GHG 981 0025 R0001
3-pole EMERGENCY STOP	2 x M50 / 1 x M25	GHG 981 0025 R0002
Industrial-Safety switch 80 A 6-pole		
Version with 2 auxiliary contacts (1 x NO; 1 x NC)		
6-pole	4 x M50 / 1 x M25	GHG 981 0026 R0001
6-pole EMERGENCY STOP	4 x M50 / 1 x M25	GHG 981 0026 R0002

Customized version on request

### Accessories

#### Mounting plate for industrial-safety switch

Type	Application	Fixing technique	Order No.
Size 3	2 x Pipe mounting	screw-on <sup>1)</sup>	GHG 610 1953 R0110

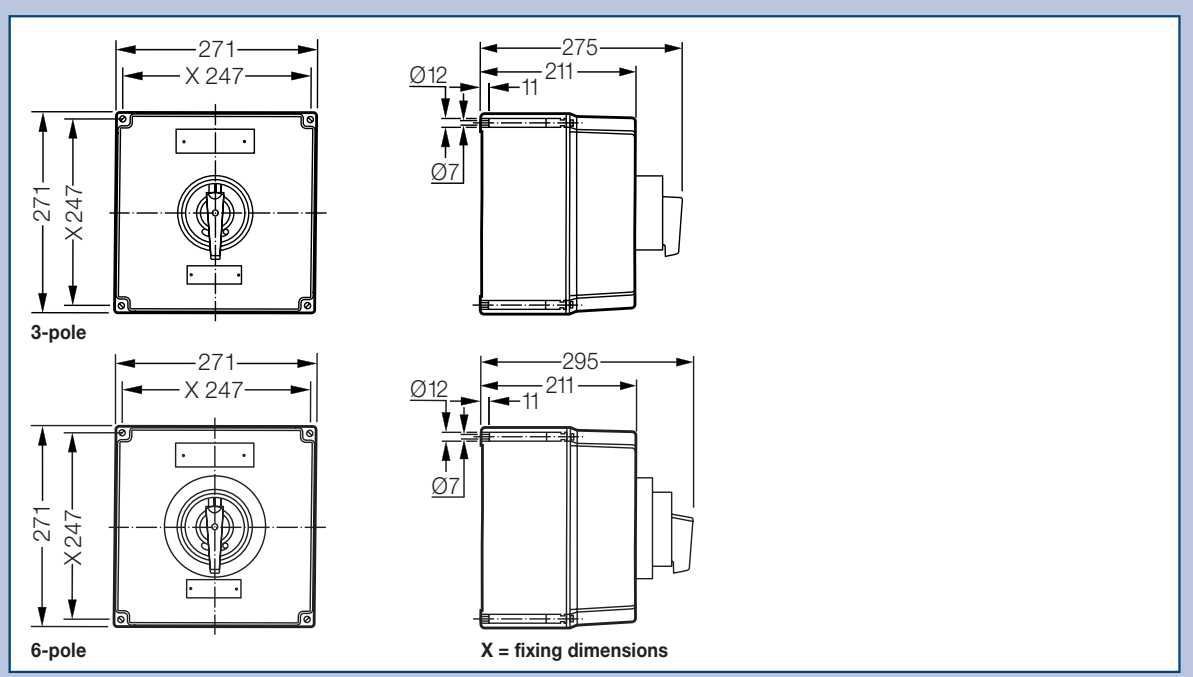
<sup>1)</sup> observe mounting distance

#### Accessories for mounting plates

Type	OU	Order No.
Label holder with label (unlabelled) for mounting plates size 1, 2, 2A and 3	10	GHG 610 1953 R0057
Installation kit for pipes 1" (of 27 - 30 mm) for mounting plates for pipe mounting	10	GHG 610 1953 R0020

Please note that we can only deliver in the ordering units (OU) stated in the tables above

### Dimension drawing



Dimensions in mm