

Technical data

Industrial-Safety switch 25 A		
Permissible ambient temperature	-20 °C to +40 °C	
Rated voltage	up to max. 690 V	
Rated current	max. 25 A	
Frequency	50/60 Hz	
Switch rating AC3	230 V AC	20 A
	400 V AC	20 A
	500 V AC	16 A
	690 V AC	10 A
Back up fuse	up to 400 V AC	max. 35 A gL
	up to 500 V AC	max. 35 A gL
	up to 690 V AC	max. 25 A gL
Main contact	2 x 4 mm ²	
Aux./Signal contact	2 x 0.5 - 2.5 mm ²	
Insulation class	I	
Degree of protection accd. EN 60529	IP66	
Cable glands/enclosure drilling	M25 (d = 8 - 17 mm) see ordering details M32 (d = 12 - 21 mm) see ordering details Option: metal flange with 2 x thread	
Weight	3-pole	approx. 1.48 kg
	6-pole	approx. 2.43 kg
Enclosure material	glass-fibre reinforced polyester	
Enclosure colour	black	
Auxiliary contact	1 x NO making - lagging; breaking - leading 1 x NC (only 6-pole version) making - leading; breaking - lagging	
Padlocking	can be locked in OFF position with 3 commercially available padlocks	

Industrial safety switches



3-pole

3-pole EMERGENCY STOP

6-pole

6-pole EMERGENCY STOP

Ordering details

Version	Cable entry	Order No.
Industrial-Safety switch 25 A 3-pole		
Version with 1 auxiliary contact (NO)		
3-pole	2 x M32 / 1 x M25	GHG 981 0037 R0001
3-pole EMERGENCY STOP	2 x M32 / 1 x M25	GHG 981 0037 R0002
Industrial-Safety switch 25 A 6-pole		
Version with 2 auxiliary contacts (1 x NO; 1 x NC)		
6-pole	4 x M32 / 1 x M25	GHG 981 0038 R0001
6-pole EMERGENCY STOP	4 x M32 / 1 x M25	GHG 981 0038 R0002

Customized version on request

Accessories

Mounting plate for industrial-safety switch 25 A 3-pole

Type	Application	Fixing technique	Order No.
Size 2	Wall mounting	snap-on	GHG 610 1953 R0104
Size 2	Pipe mounting	snap-on	GHG 610 1953 R0105
Size 2	Trellis mounting	snap-on	GHG 610 1953 R0106

Mounting plate for industrial-safety switch 25 A 6-pole

Type	Application	Fixing technique	Order No.
Size 3	Wall mounting	snap-on	GHG 610 1953 R0118
Size 3	Pipe mounting	snap-on	GHG 610 1953 R0110
Size 3	Trellis mounting	snap-on	GHG 610 1953 R0118

Accessories for mounting plates

Type	OU	Order No.
Label holder with label (unlabelled) for mounting plates size 1, 2, 2A and 3	10	GHG 610 1953 R0057
Snap-on for CEAG apparatus with 5.5 mm and 11 mm mounting feet 1 set = 4 each	10	GHG 610 1953 R0041
Installation kit for pipes 1" (of 27 - 30 mm) for mounting plates for pipe mounting	10	GHG 610 1953 R0020

Accessories for canopies plates

Type	Application	OU	Order No.
Size 2	for mounting plates size 2	1	GHG 610 1955 R0102
Size 2A	for mounting plates size 2A	1	GHG 610 1955 R0103
Size 3	for pipe mounting plate size 3 vertical	1	GHG 610 1955 R0104
Size 3A	for wall/trellis mounting plate size 3 vertical	1	GHG 610 1955 R0105
Size 3B	for pipe mounting plate size 3 horizontal	1	GHG 610 1955 R0106

Please note that we can only deliver in the ordering units (OU) stated in the tables above



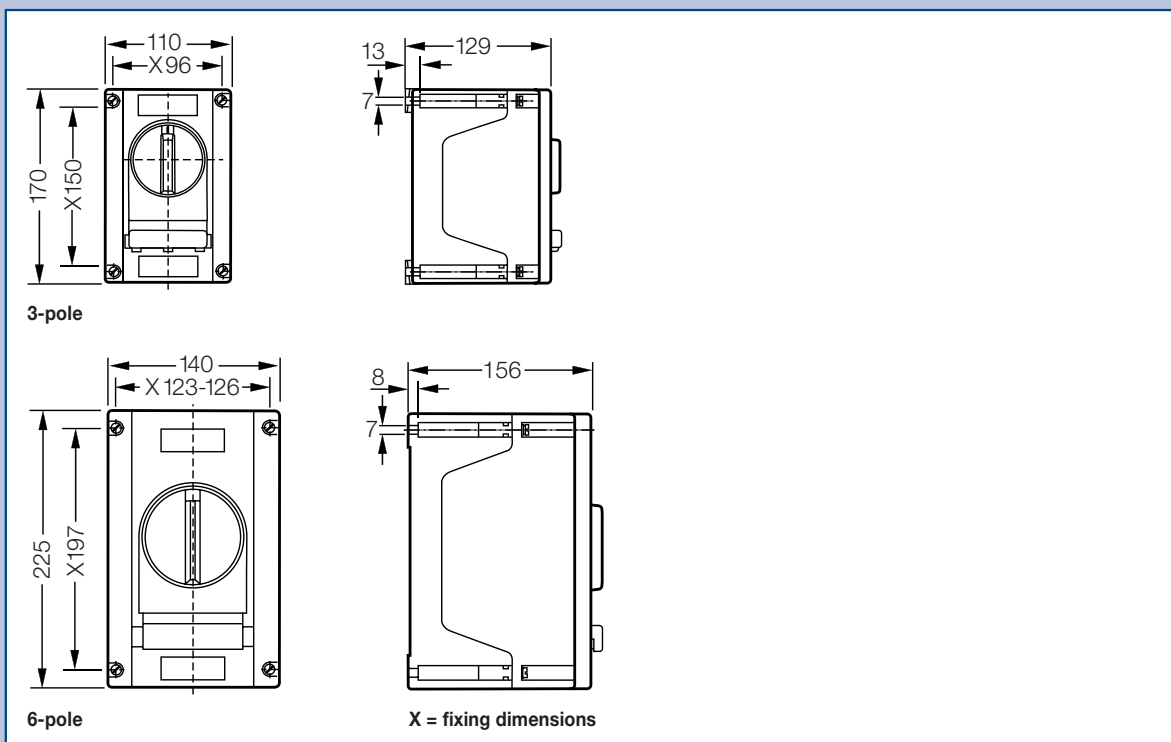
6-pole EMERGENCY STOP

6-pole

3-pole EMERGENCY STOP

3-pole

Dimension drawing



3-pole

6-pole

X = fixing dimensions

Cooper Crouse-Hinds © 2009 - all rights reserved

Dimensions in mm