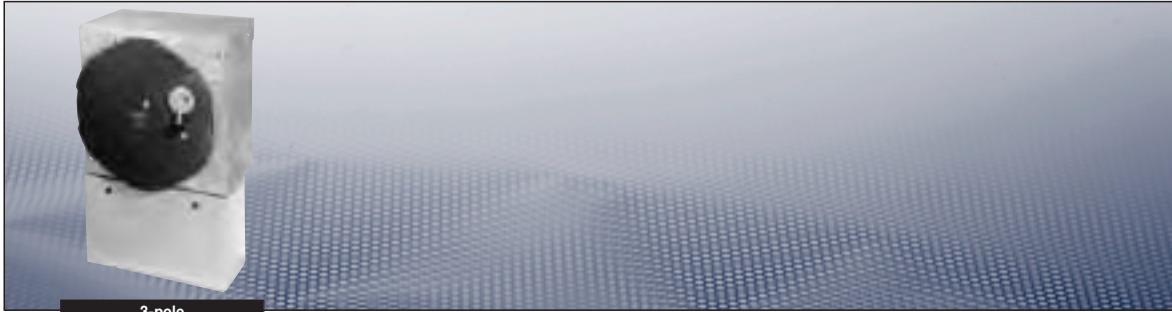


Ex-Safety switches



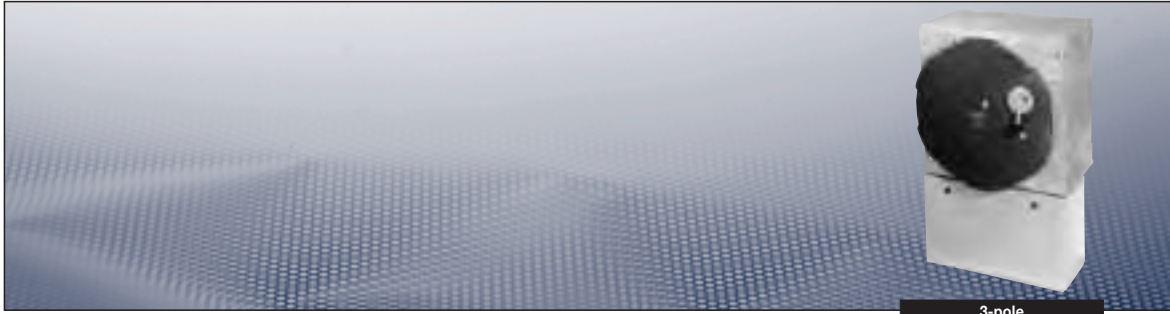
3-pole

Technical data

Ex-Safety switch 630 A		
Marking to 94/9/EC	Ⓔ II 2 G Ex de IIC T5 or T6 ¹⁾ / Ⓔ II 2 D IP66 T80 °C/T95 °C	
EC-Type Examination Certificate	PTB 99 ATEX 1057	
IECEX Certificate of Conformity	BKI 06.0006	
Marking accd. to IECEx	Ex de ia/ib [ja/ib] IIC T6, T5 or T4 Ex tD A21 IP66 T80 °C, T95 °C or T130 °C	
Permissible ambient temperature	-20 °C to +40 °C ²⁾	
Rated voltage	up to max. 690 V	
Rated current	max. 630 A	
Frequency	50/60 Hz	
Switch rating AC3	230 V AC	630 A
	400 V AC	630 A
	500 V AC	630 A
	690 V AC	630 A
Back up fuse	up to 400 V AC	max. 800 A gL
	up to 500 V AC	max. 800 A gL
	up to 690 V AC	max. 800 A gL
Main contact	6 x 240 mm ² /2 x 120 mm ²	
Aux./Signal contact	2 x 4 mm ²	
Insulation class	I	
Degree of protection accd. EN 60529	IP54 (IP65 optional)	
Cable glands/enclosure drilling	M25 (d = 8 - 17 mm) see ordering details M80 (d = 62 - 68 mm) see ordering details	
Weight	approx. 245 kg	
Enclosure material	steel, powder-coated polyester connection box steel, polyester powder-coated	
Colour	Enclosure	grey (RAL 7032)
	Cover	umbra grey (RAL 7022)
Auxiliary contact	1 x NO making - lagging; breaking - leading 1 x NC making - leading; breaking - lagging	
Padlocking	can be locked in OFF position with 3 commercially available padlocks	

¹⁾ Also available with Explosion Group IIB

²⁾ Other ambient temperatures on request

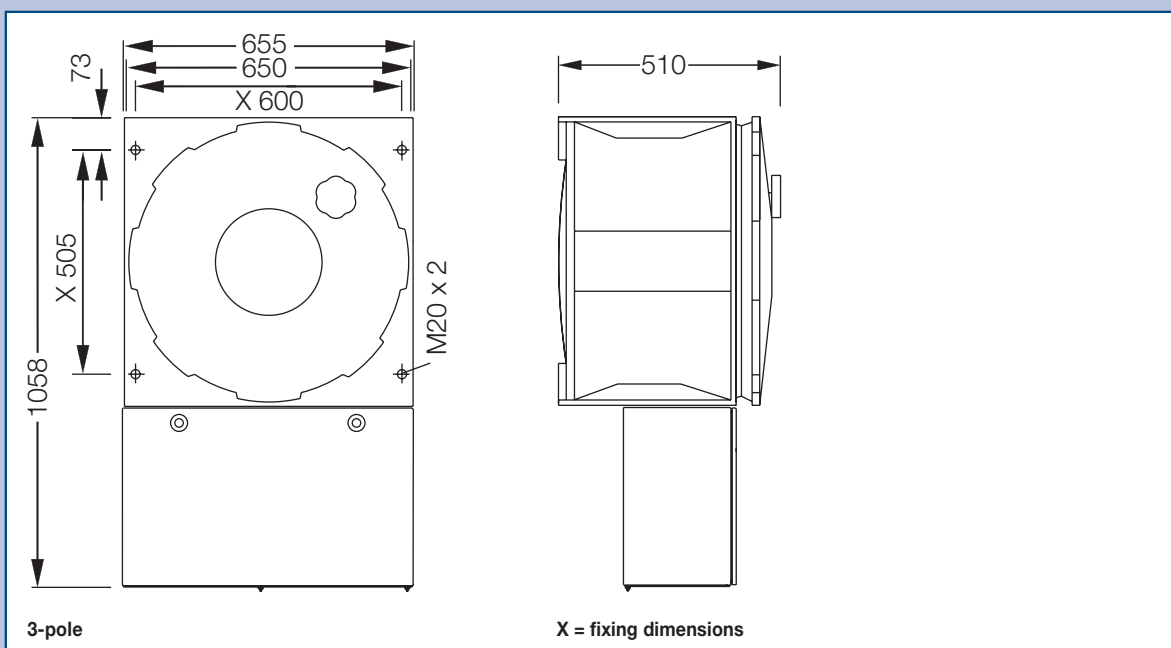


Ordering details

Version	Cable entry	Order No.
Safety switch 630 A 3-pole		
Version with 2 auxiliary contact (1 x NO; 1 x NC)		
3-pole	4 x M80 / 1 x M25	EXKO 731713 V0001
3-pole EMERGENCY STOP	4 x M80 / 1 x M25	EXKO 731723 V0001

Customized version on request, auxiliary contacts in Ex ia available

Dimension drawing



Cooper Crouse-Hinds © 2009 - all rights reserved

Dimensions in mm

1
2
3
4
5
6
7
8
9
10
11
12