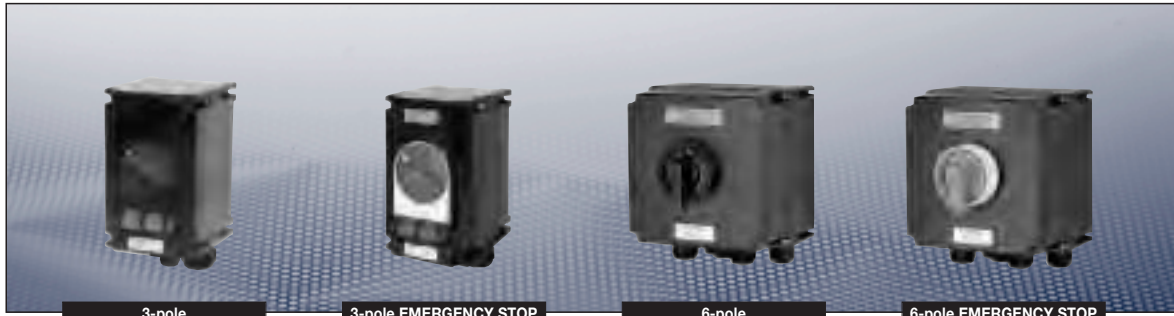


Ex-Safety switches



Technical data

Ex-Safety switch 40 A		
Marking to 94/9/EC	Ⓔ II 2 G Ex ed ia IIC T6 / Ⓔ II 2 D Ex tD A21 IP66 T80 °C	
EC-Type Examination Certificate	PTB 99 ATEX 1161	
IECEX Certificate of Conformity	BKI 07.0012	
Marking accd. to IECEx	Ex ed ia IIC T6 Ex tD A21 IP66 T53 °C	
Permissible ambient temperature	-20 °C to +40 °C	
Rated voltage	up to max. 690 V	
Rated current	max. 40 A	
Frequency	50/60 Hz	
Switch rating AC3	230 V AC	40 A
	400 V AC	40 A
	500 V AC	40 A
	690 V AC	32 A
Back up fuse	up to 400 V AC	max. 80 A gL
	up to 500 V AC	max. 80 A gL
	up to 690 V AC	max. 63 A gL
Main contact	2 x 16 mm ²	
Aux./Signal contact	2 x 4 mm ²	
Insulation class	I	
Degree of protection accd. EN 60529	IP66	
Cable glands/enclosure drilling	M25 (d = 8 - 17 mm) see ordering details M40 (d = 16 - 28 mm) see ordering details option: metal flange with thread	
Weight	3-pole	approx. 2.30 kg
	4-pole	approx. 2.75 kg
	6-pole	approx. 6.50 kg
Enclosure material	glass-fibre reinforced polyester	
Enclosure colour	black	
Auxiliary contact	1 x NO making - lagging; breaking - leading 1 x NC (only 6-pole version) making - leading; breaking - lagging	
Padlocking	can be locked in OFF position with 3 commercially available padlocks	

¹⁾ Other ambient temperatures on request



Ordering details

Version	Cable entry	Order No.
Safety switch 40 A 3-pole		
Version with 1 auxiliary contact (NO)		
3-pole	2 x M40 / 1 x M25	GHG 263 2301 R0001
3-pole EMERGENCY STOP	2 x M40 / 1 x M25	GHG 263 2301 R0002
Safety switch 40 A 4-pole		
Version with 2 auxiliary contact (1 x NO; 1 x NC)		
4-pole	2 x M25	GHG 263 2301 R0007
Safety switch 40 A 6-pole		
Version with 2 auxiliary contact (NO)		
6-pole	4 x M40 / 1 x M25	GHG 263 0050 R0001
6-pole	4 x M25	GHG 263 0050 R0006
6-pole EMERGENCY STOP	4 x M40 / 1 x M25	GHG 263 0050 R0002

Customized version on request, auxiliary contacts in Ex ia available

Accessories

Mounting plate for Ex-safety switch 40 A 3-pole

Type	Application	Fixing technique	Order No.
Size 3	Wall mounting	snap-on	GHG 610 1953 R0118
Size 3	Pipe mounting	snap-on	GHG 610 1953 R0110
Size 3	Trellis mounting	snap-on	GHG 610 1953 R0118

Mounting plate for Ex-safety switch 40 A 6-pole

Type	Application	Fixing technique	Order No.
Size 3	2 x Pipe mounting	screw-on ¹⁾	GHG 610 1953 R0110

¹⁾ observe mounting distance

Accessories for mounting plates

Type	OU	Order No.
label for label holder and mounting plates size 4 and size 5	10	GHG 610 1953 R0011
Blanking plug for label holder size 4 and size 5 1 set = 1 each	10	GHG 610 1953 R0134
Snap-on for CEAG apparatus with 5.5 mm and 11 mm mounting feet 1 set = 4 each	10	GHG 610 1953 R0041
Installation kit for pipes 1" (of 27 - 30 mm) for pipe mounting	10	GHG 610 1953 R0020

Accessories for canopies plates

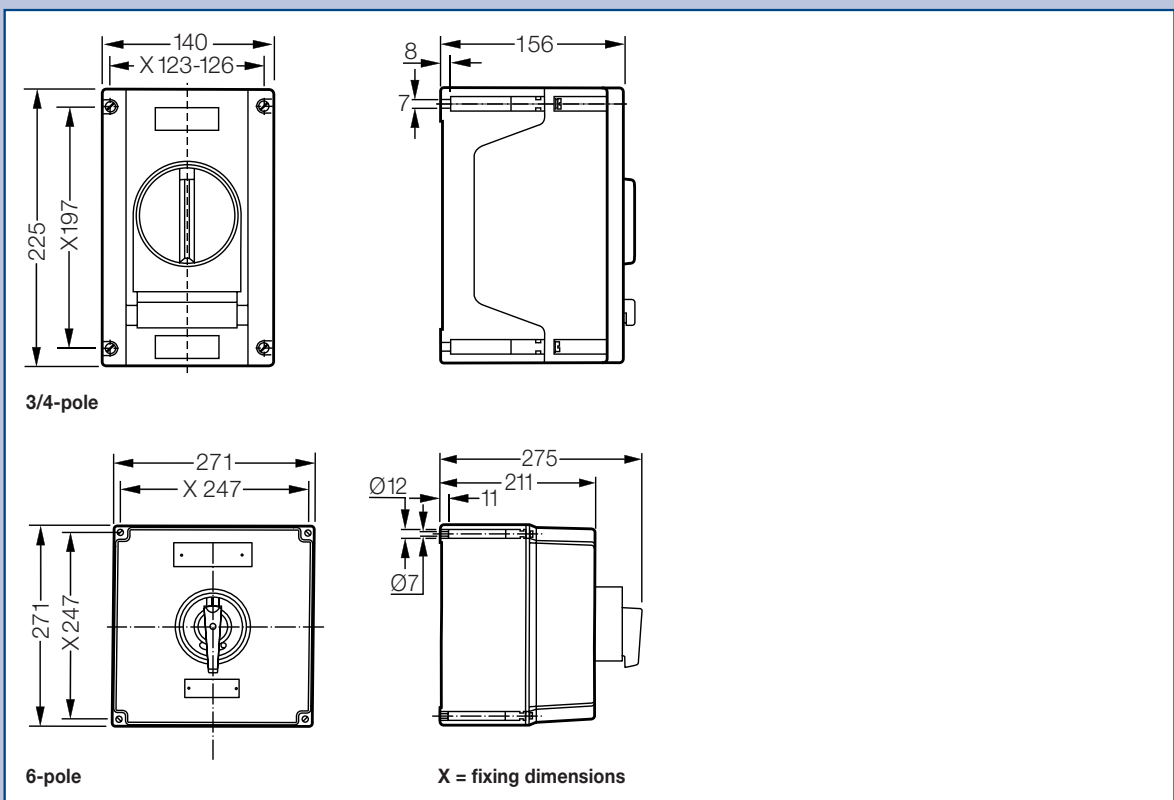
Type	Application	OU	Order No.
Size 4	for mounting plates size 4	1	GHG 610 1955 R0107

Please note that we can only deliver in the ordering units (OU) stated in the tables above

| Ex-Safety switches |



Dimension drawing



Cooper Crouse-Hinds © 2009 - all rights reserved

Dimensions in mm