

HLE 7 L EN

**Technical data**

HLE 7 L EN	
Marking to 94/9/EC	Ⓔ II 2 G Ex e ib IIC T4
EC-Type Examination Certificate	PTB 99 ATEX 2194
Permissible ambient temperature	-20 °C to +40 °C, specified data: 0 °C to +30 °C (battery)
Permissible ambient temperature during charging	0 °C to +35 °C
Rated voltage	230 V ± 10 %, 50/60 Hz
Input power	4 VA
Insulation class	II
Incandescent lamp	3.75 V / 0.8 / 0.4 A
Battery	rechargeable NC battery 3.6 V/7 Ah
Operating time	approx. 8 h
Charging duration	max. 18 h
Light aperture	Ø 65 mm, mineral glass
Rotary switch	4 positions: „OFF - pilot light - OFF - main light“
Degree of protection accd. EN 60529	IP54
Weight	approx. 2.0 kg (with battery)
Enclosure material	Polyamide/black
Function	– Integrated charger – Charge state indication – Two-flament lamp

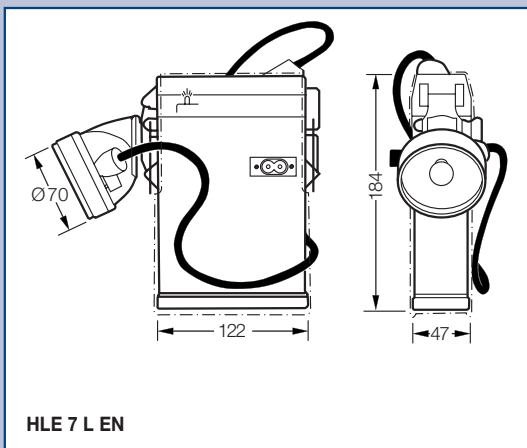
**Ordering details**

Type	Scope of delivery	Order No.
HLE 7 L EN	with incandescent lamp, battery and mains connection lead	1 1229 000 416

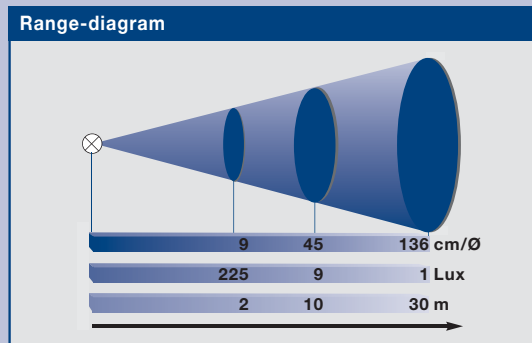
**Accessories for Ex-cap light HLE 7 L EN**

Type	OU	Order No.
Power supply complete	1	2 1229 456 000
1 Incandescent lamp 3.75 V/0.8 A/0.4 A	5	1 2035 520 000
Belt	1	3 0231 001 011
Head ribbon for helmets	1	2 1261 191 000

**Dimension drawing | Range-diagram**



HLE 7 L EN



Dimensions in mm