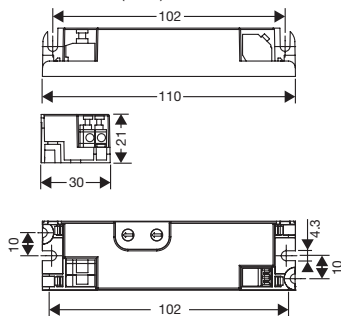


V-CG-SLS 350

LED Supply- and Monitoring module



Dimensions (mm)



- Low operating costs due to decreased standby losses < 0.5 W.
- Minimized dimensions on the basis of conventional T5 LCG cross section (H x W: 21 x 30 mm) for an eased mounting in narrow luminaires.
- Without protective conductor connection. For the use in luminaires with insulation class I or II.
- Variable mounting possibilities for different mounting positions (horizontal or sidewise upright).
- Avoidance of installation failures due to a mains connection being protected against polarity reversal.
- Shortened inspection effort due to the CEWA GUARD Technology. Automatic function monitoring of up to 20 luminaires per circuit.
- Reduced installation costs due to STAR-Technology. Freely programmable mixed operation of the switching modes per luminaire in one circuit.
- Reduced installation expenditures as no additional data line to the luminaires is needed.

Primary side

Voltage	220 - 240 V, 50/60 Hz / 176 - 275 V DC
Standby power losses	< 0.5 W (230 V / 50 Hz)
Current input	41 mA (230 V AC) / 26 mA (220 V DC)
Power input	9.4 VA (230 V AC)
Power factor λ	0.60...0.70
Inrush current	≤ 1.5 A
Operating frequency	132 kHz
EEL	A2
Connecting terminals	Plug-in terminals 2.5 mm ² / reverse-polarity protected

Secondary side

Output current	350 mA (constant current)
Output voltage	14.5 V DC (open-circuit operation)
Lamp load	1-4 LEDs (rated current 350 mA, $U_F=3.3$ V _{max}), series connection
Output power (max.)	4.62 W
Connecting terminals	Plug-in terminals 1.5 mm ² / <u>not</u> reverse-polarity protected
Maximum line length	1 m (Module – LED)
Type of mounting	to be mounted in luminaires with protection category I or II
Degree of protection	IP 20
Ambient temperature range	$t_a = -20$ °C up to $+50$ °C
Maximal permissible test point temperature	$t_c = 60$ °C
Dimensions in mm (H x L x W)	21 x 110 x 30
Enclosure material / colour	Flame retardant polycarbonate / grey
Weight	0.042 kg
Rated luminous flux Φ_e	100 % (at LED rated current)

Ordering details

Scope of supply	Order-No.
V-CG-SLS 350	400 71 352 447