

Portable Emergency Lights W 276.3/4 with Emergency Lighting Function



W 276.3/4

Technical data

W 276.3/4 with Emergency lighting function (non-maintained mode) and integrated charging unit

Slip-on filters (incl.)	red, orange, white
Enclosure material	impact resistant, non-adhesive plastic
Enclosure colour	grey
Duration of emergency lighting	3,5 h with incandescent lamp 5 V/5 W (main) 12,0 h with incandescent lamp 4.8 V/1.5 W (pilot)
Battery	rechargeable, maintenance free and gas tight NC-Akku 4.8 V / 4 Ah
Lamp	Main beam 5 V / 5 W Pilot beam 4,8 V / 1,5 W
Rated voltage	230 V 50/60 Hz
Power consumption	10 VA
Insulation class	II
Degree of protection	IP 54
Monitoring function	Charging indication by green LED
Switch function	Flashlight, maintained light and pilot light

Ordering details

Type	Order No.
W 276.3/4	1 1145 000 276

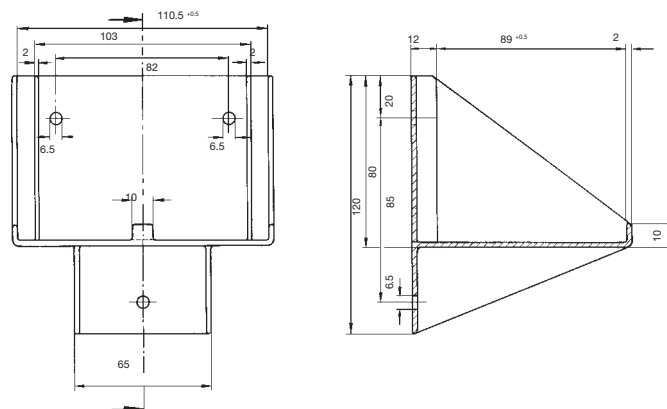
Accessories

Accessories/spare parts	Order No.
Incandescent lamp	
5 V / 5 W (5 pcs.)	4 0071 345 265
4.8 V / 1.4 W (10 pcs.)	4 0071 345 264
Rechargeable NiCd-accu. 4.8 V/4 Ah	4 0071 345 248
Shock-power wall mounted holder	4 0071 344 274
Wall bracket	1 1145 000 492
Mains connecting lead	4 0018 031 358
Slip-on filter set red, orange and radial difuser cap	2 1145 995 000

Lighting engineering

Distance	illumination
5 m	256 lux
20 m	16 lux
80 m	1 lux

Dimensions (mm)



wall bracket