

Self-Contained Luminaire Brillant 1886 CGLine, 1888 CGLine, 1988 CGLine

Technical data

1886 CGLine, 1888 CGLine, 1988 CGLine

| | | |
|--|--|---------------------------|
| Viewing distance | 1886 = 20 m / 1888 = 28 m / 1988 = 28 m | |
| Luminous flux Φ_E/Φ_N at the end of rated operating time | 40 % | |
| Enclosure material | sheet steel | |
| Type of mounting | 1886/1888 | recessed ceiling mounting |
| | 1988 | ceiling mounting |
| Dimensions (mm) (L x H x D) | see dimensional drawings | |
| Weight incl. cover | 1886-1/D | 3.1 kg |
| | 1886-3/D | 3.3 kg |
| | 1888-1/D | 3.2 kg |
| | 1888-3/D | 3.5 kg |
| | 1988-1/D | 2.5 kg |
| | 1988-3/D | 2.7 kg |
| Battery | rechargeable, maintenance free, gas tight | |
| Duration of emergency lighting 1 h | NC-Akku 3.6 V / 1.5 Ah | |
| Duration of emergency lighting 3 h | NC-Akku 3.6 V / 4.0 Ah | |
| Connection terminals | for 2.5 mm ² | |
| Rated voltage | 230 V 50 Hz | |
| Power consumption | 12 VA (6 W) / 16 VA (8 W) | |
| Lamp | 6 W/T16, 300 lm / 8 W/T16, 450 lm | |
| Insulation class | I | |
| Degree of protection | IP 20 | |
| Permissible temperature range | Maintained mode | -5 °C to +30 °C |
| | Non-maintained mode | 0 °C to +35 °C |



1886



1888

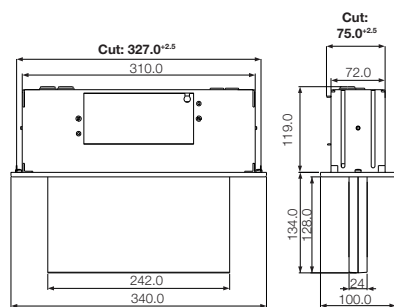


1988

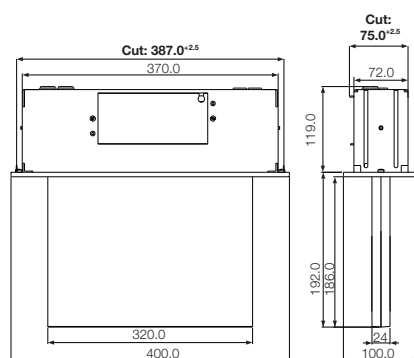
Ordering details

| Type | Scope of supply | Order No. |
|-----------------|--|----------------|
| 1886-1/D CGLine | Edge luminaire for recessed ceiling mounting, without panel; Scope of supply: plastic bezel white, RAL 9010 | 4 0071 350 293 |
| 1886-3/D CGLine | Edge luminaire for recessed ceiling mounting, without panel; Scope of supply: plastic bezel white, RAL 9010 | 4 0071 350 294 |
| 1888-1/D CGLine | Edge luminaire for recessed ceiling mounting, without panel; Scope of supply: plastic bezel white, RAL 9010 | 4 0071 350 122 |
| 1888-3/D CGLine | Edge luminaire for recessed ceiling mounting, without panel; Scope of supply: plastic bezel white, RAL 9010 | 4 0071 350 123 |
| 1988-1/D CGLine | Edge luminaire for ceiling mounting, without panel; Scope of supply: RAL 9010 | 4 0071 350 126 |
| 1988-3/D CGLine | Edge luminaire for ceiling mounting, without panel; Scope of supply: RAL 9010 | 4 0071 350 127 |

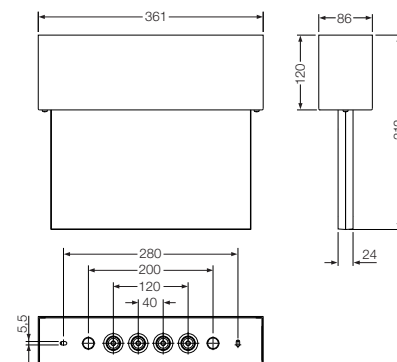
Dimensions (mm)



1886-.../D



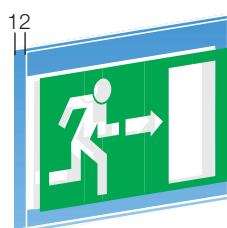
1888-.../D



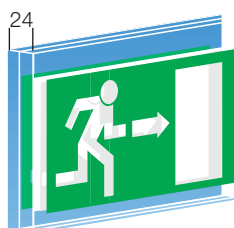
1988-.../D

Self-Contained Luminaire Brilliant 1886 CGLine, 1888 CGLine, 1988 CGLine

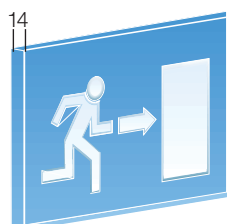
Ordering details for panels 1886



Panel A



Panel B



Panel C



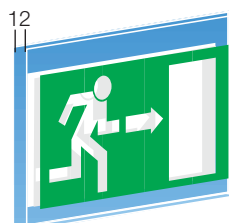
Concrete ceiling box

| Type | Scope of supply | Order No. |
|--------------------------------|--|----------------|
| Panel A PL acc. DIN 4844 | Single-sided silk screened legend | 4 0071 348 996 |
| Panel A PR acc. DIN 4844 | Single-sided silk screened legend | 4 0071 348 997 |
| Panel A PU acc. DIN 4844 | Single-sided silk screened legend | 4 0071 348 995 |
| Panel B PL/PR acc. DIN 4844 | Double-sided silk screened legend | 4 0071 348 937 |
| Panel B PU/PU acc. DIN 4844 | Double-sided silk screened legend | 4 0071 348 938 |
| Panel B PU/BL acc. DIN 4844 | Double-sided silk screened legend | 4 0071 349 887 |
| Glass panel C PL/PR | Crystal glass panel; special application, not acc. to DIN/EN | 4 0071 348 839 |
| Glass panel C PU | Crystal glass panel; special application, not acc. to DIN/EN | 4 0071 348 940 |
| Panel A PL | Single-sided silk screened legend | 4 0071 348 993 |
| Panel A PR | Single-sided silk screened legend | 4 0071 348 994 |
| Panel A PU | Single-sided silk screened legend | 4 0071 348 992 |
| Panel B PL/PR | Double-sided silk screened legend | 4 0071 348 963 |
| Panel B PU/PU | Double-sided silk screened legend | 4 0071 348 964 |
| Panel B PU/BL | Double-sided silk screened legend | 4 0071 349 181 |
| Glass panel C PL/PR | Crystal glass panel; special application, not acc. to DIN/EN | 4 0071 348 965 |
| Glass panel C PU | Crystal glass panel; special application, not acc. to DIN/EN | 4 0071 348 966 |

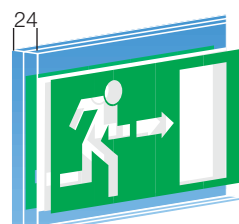
Accessories

| Type | Scope of supply | Order No. |
|-------------------------------|--|----------------|
| Concrete ceiling box for 1886 | for installation in concrete ceilings | 4 0071 348 725 |
| Mounting set for 1886/1888 | for installation in concrete ceiling box | 4 0071 341 721 |

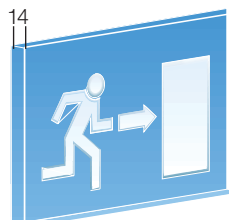
Self-Contained Luminaire Brillant 1886 CGLine, 1888 CGLine, 1988 CGLine



Panel A



Panel B



Panel C

Ordering details for panels 1888, 1988

| Type | Scope of supply | Order No. |
|--------------------------------|--|----------------|
| Panel A PL acc. DIN 4844 | Single-sided silk screened legend | 4 0071 348 923 |
| Panel A PR acc. DIN 4844 | Single-sided silk screened legend | 4 0071 348 924 |
| Panel A PU acc. DIN 4844 | Single-sided silk screened legend | 4 0071 348 922 |
| Panel B PL/PR acc. DIN 4844 | Double-sided silk screened legend | 4 0071 348 925 |
| Panel B PU/PU acc. DIN 4844 | Double-sided silk screened legend | 4 0071 348 926 |
| Panel B PU/BL acc. DIN 4844 | Double-sided silk screened legend | 4 0071 349 896 |
| Glass panel C PL/PR | Crystal glass panel; special application, not acc. to DIN/EN | 4 0071 348 927 |
| Glass panel C PU | Crystal glass panel; special application, not acc. to DIN/EN | 4 0071 348 928 |
| Panel A PL | Single-sided silk screened legend | 4 0071 341 532 |
| Panel A PR | Single-sided silk screened legend | 4 0071 341 533 |
| Panel A PU | Single-sided silk screened legend | 4 0071 341 531 |
| Panel B PL/PR | Double-sided silk screened legend | 4 0071 341 527 |
| Panel B PU/PU | Double-sided silk screened legend | 4 0071 341 526 |
| Panel B PU/BL | Double-sided silk screened legend | 4 0071 349 180 |
| Glass panel C PL/PR | Crystal glass panel; special application, not acc. to DIN/EN | 4 0071 341 535 |
| Glass panel C PU | Crystal glass panel; special application, not acc. to DIN/EN | 4 0071 341 534 |

Accessories



Concrete ceiling box

| Type | Scope of supply | Order No. |
|--|--|----------------|
| Concrete ceiling box for 1888 | for installation in concrete ceilings | 4 0071 341 710 |
| Mounting set for 1886/1888 | for installation in concrete ceiling box | 4 0071 341 721 |
| Pendulum set 0.5 m for 1988 | with wall bracket | 4 0071 350 517 |
| Wall bracket for 1988 RAL 9010 | | 4 0071 349 910 |
| Wall bracket for 1988 simple construction RAL 9010 | | 4 0071 349 952 |
| Wall mounting parallel for 1988 RAL 9010 | | 4 0071 349 852 |
| Chain suspension for 1988 | | 4 0071 348 723 |