

Self-Contained Luminaire ALU-Klick 71811 CGLine



71811
with cover PU

Technical data

71811 CGLine

Viewing distance	32 m	
Luminous flux Φ_E/Φ_N at the end of rated operating time	40 %	
Material Enclosure	Aluminium, anodized	
Type of mounting	Wall or ceiling mounting	
Dimensions (mm) (L x H x D)	349 x 188 x 80	
Weight	71811-1/D	2.0 kg
	71811-3/D	2.2 kg
Battery	rechargeable, maintenance free, gas tight	
Duration of emergency lighting 1 h	NC-Akku 3.6 V / 1.5 Ah	
Duration of emergency lighting 3 h	NC-Akku 3.6 V / 4.0 Ah	
Connection terminals	for 2.5 mm ²	
Rated voltage	230 V 50 Hz	
Power consumption	16 VA	
Lamp	8 W/T16, 450 lm	
Insulation class	I	
Degree of protection	IP 41	
Permissible temperature range		
	Maintained mode	-5 °C to +30 °C
	Non-maintained mode	0 °C to +35 °C

Ordering details

Type	Duration of emergency lighting (h)/Battery	Scope of supply	Order No.
71811-1/D CGLine	1h / 3.6 V/1.5 Ah	Luminaire enclosure without cover	4 0071 351 242
71811-3/D CGLine	3h / 3.6 V/4.0 Ah	Luminaire enclosure without cover	4 0071 351 243
Cover SL		Clear cover	4 0071 351 187
Cover PL DIN 4844		Cover with silk screened legend	4 0071 351 600
Cover PR DIN 4844		Cover with silk screened legend	4 0071 351 601
Cover PU DIN 4844		Cover with silk screened legend	4 0071 351 602
Cover PL		Cover with silk screened legend	4 0071 351 608
Cover PR		Cover with silk screened legend	4 0071 351 609
Cover PU		Cover with silk screened legend	4 0071 351 610

Accessories

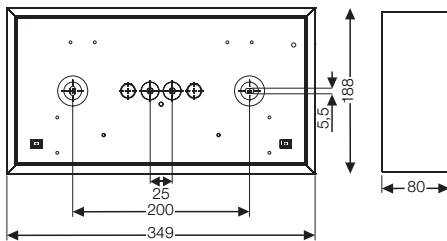
Type	Order No.
Wire guard	4 0071 348 370

Lighting engineering

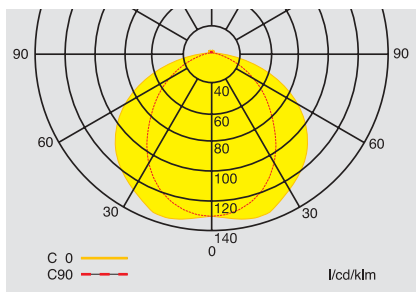
Project engineering for 71811 for E = 1.25 lx (0.625 lx) with clear cover

Mounting height (m)	Types of mounting	Mounting distances (m)			
		L1	L2	L3	L4
2.5	Ceiling mounting	2.2 (2.8)	5.6 (7.0)	2.7 (3.5)	7.0 (8.8)
3.0	Escape route centre	2.2 (3.0)	6.0 (7.6)	2.7 (3.7)	7.4 (9.6)
4.0		1.9 (3.1)	6.2 (8.2)	2.4 (3.8)	7.6 (10.4)
5.0		1.1 (2.9)	5.8 (8.6)	1.6 (3.6)	7.0 (10.6)
6.0		- (2.5)	4.8 (8.6)	- (3.1)	5.8 (10.6)
7.0		- (1.5)	2.0 (8.2)	- (2.2)	3.0 (10.0)
2.0	Wall mounting	1.6 (2.1)	4.2 (5.2)	1.5 (2.2)	4.4 (5.8)
2.5		1.3 (2.0)	3.8 (5.2)	- (-)	3.4 (5.4)
3.0		0.3 (1.6)	3.2 (4.8)	- (-)	2.0 (4.4)
3.0	Ceiling mounting	2.4 (2.8)	6.0 (7.4)	2.5 (3.1)	6.6 (8.4)
4.0	Area illumination	2.0 (2.4)	6.2 (8.4)	2.0 (4.5)	7.6 (9.2)
5.0		0.7 (2.4)	6.2 (8.8)	0.7 (3.5)	7.8 (10.2)
6.0		0.7 (2.4)	5.8 (8.8)	0.7 (2.5)	7.6 (11.0)
7.0		0.7 (0.7)	4.8 (8.8)	0.7 (0.7)	6.0 (11.2)

Dimensions (mm)



71011 / 71011 CG-S



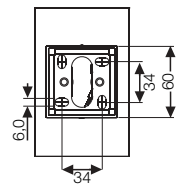
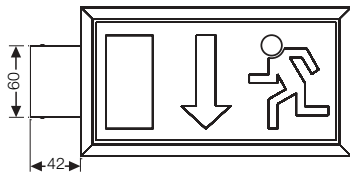
Polar curve 71811

Self-Contained Luminaire ALU-Klick 71821 CGLine

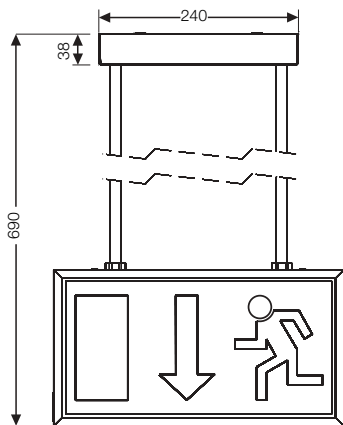


71821
with cover PU

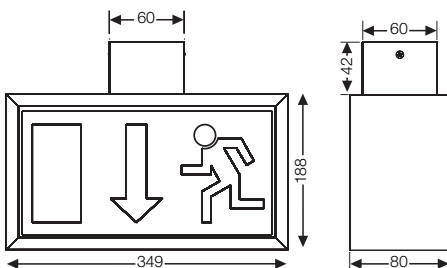
Dimensions (mm)



71021 WM / 71021 CG-S WM



71021 PM / 71021 CG-S PM



71021 DM / 71021 CG-S DM

Technical data

71821 CGLine

Viewing distance	32 m	
Luminous flux Φ_E/Φ_N at the end of rated operating time	40 %	
Material Enclosure	Aluminium, anodized	
Type of mounting	Ceiling, pendulum, chain or wall bracket mounting	
Dimensions (mm) (L x H x D)	349 x 188 x 80	
Weight	71821-1/D	1.7 kg
	71821-3/D	1.9 kg
Battery	rechargeable, maintenance free, gas tight	
Duration of emergency lighting 1 h	NC-Akku 3.6 V / 1.5 Ah	
Duration of emergency lighting 3 h	NC-Akku 3.6 V / 4.0 Ah	
Connection terminals	for 2.5 mm ²	
Rated voltage	230 V 50 Hz	
Power consumption	16 VA	
Lamp	8 W/T16, 450 lm	
Insulation class	I	
Degree of protection	IP 40	
Permissible temperature range		
	Maintained mode	-5 °C to +30 °C
	Non-maintained mode	0 °C to +35 °C

Ordering details

Type	Duration of emergency lighting (h)/Battery	Scope of supply	Order No.
71821-1/D CGLine WM	1h / 3.6 V/1.5 Ah	Luminaire enclosure without cover	4 0071 351 255
71821-1/D CGLine DM	1h / 3.6 V/1.5 Ah	Luminaire enclosure without cover	4 0071 351 256
71821-1/D CGLine PM	1h / 3.6 V/1.5 Ah	Luminaire enclosure without cover	4 0071 351 257
71821-3/D CGLine WM	3h / 3.6 V/4.0 Ah	Luminaire enclosure without cover	4 0071 351 260
71821-3/D CGLine DM	3h / 3.6 V/4.0 Ah	Luminaire enclosure without cover	4 0071 351 261
71821-3/D CGLine PM	3h / 3.6 V/4.0 Ah	Luminaire enclosure without cover	4 0071 351 262
Cover PL DIN 4844		Cover with silk screened legend	4 0071 351 600
Cover PR DIN 4844		Cover with silk screened legend	4 0071 351 601
Cover PU DIN 4844		Cover with silk screened legend	4 0071 351 602
Cover PR		Cover with silk screened legend	4 0071 351 608
Cover PL		Cover with silk screened legend	4 0071 351 609
Cover PU		Cover with silk screened legend	4 0071 351 610
Dummy cover		Cover without marking	4 0071 351 197

Accessories

Type	Scope of delivery	Order No.
Mounting kit for wall and ceiling mounting	for WM/DM	4 0071 351 011
Pendulum set 0.5 m	with canopy, silver, square form, for PM	4 0071 350 412
Pendulum set 1.0 m	with canopy, silver, square form, for PM	4 0071 350 414
Pendulum set 1.5 m	with canopy, silver, square form, for PM	4 0071 350 416
Chain fastening		4 0071 351 158

Each luminaire requires 2 covers.

Installation material is not included in the scope of delivery of the luminaire. Please order installation material separately depending on the type of mounting (see accessories).

DM = ceiling mounting, WM = wall mounting, PM = pendulum mounting