

GuideLed CG-S ceiling mounting



- Exit sign panel luminaire in LED technology for ceiling installation.
- Slender design with pictogram width of only 12 mm
- Very good perceptibility on account of high luminance of the white contrasting colour > 500 cd/m² in keeping with standard ISO 3864-1 and high uniformity Lmin/Lmax > 0,8
- Increased safety by use of three-chip LEDs.
- Reduced battery costs on account of especially low power consumption.
- Low operating costs on account of low effective power of 2.9 W only. (1.9 W one-sided)
- Minimum service requirement due to high service life of the LEDs (50 000 hours).



GuideLed 10021 CG-S



GuideLed 10022 CG-S



GuideLed 10024 CG-S

| | |
|--|--|
| Viewing distance: | 20 m |
| Luminous flux Φ_e/Φ nominal at the end of the rated service time | 100 % |
| Housing material | PC, PMMA |
| Housing colour | Light grey RAL 7035 |
| Weight | 0.39 kg (10021 LED CG-S) 0.49 kg (10022 LED CG-S) 0.54 kg (10023 LED CG-S) 0.70 kg (10024 LED CG-S) |
| Type of mounting | Ceiling, suspended, recessed installation |
| Connection terminal | Clamp terminal 2.5 mm ² reverse polarity protected |
| Connection voltage | 220-240 VAC, 50 Hz 176-275 VDC |
| Current consumption - battery operation | one-sided 8 mA two-sided 12 mA |
| Connected load - mains operation (apparent power / effective power) | one-sided 4.0 VA / 1.9 W two-sided 5.5 VA / 2.9 W |
| Permissible ambient temperature | -20° Celsius to +40° Celsius |
| Lamp | LED batten with three-chip LEDs |

Order data - fastening set

| Scope of delivery | Order No. |
|--|-------------|
| Ceiling installation set for GuideLed 10021 CG-S with canopy including LED supply and CG-S technology (20 addresses) | 40071353610 |
| Ceiling installation set for GuideLed 10022 CG-S with canopy and tube suspension 0.5 m including LED supply and CG-S technology (20 addresses) | 40071353611 |
| Ceiling installation set for GuideLed 10023 CG-S with canopy and tube suspension 1.5 m including LED supply and CG-S technology (20 addresses) | 40071353612 |
| Ceiling installation set for GuideLed 10024 CG-S including recessed installation housing including LED supply and CG-S technology (20 addresses) | 40071353613 |

Order data - accessories

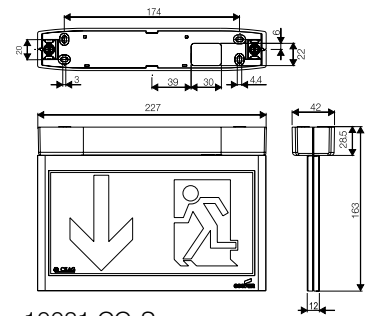
| Scope of delivery | Order No. |
|--|-------------|
| Concrete installation box for GuideLed 10024 CG-S, 20 m* | 40071352892 |

* Ceiling mounting set for GuideLed 10024 and concrete installation box corresponding to protection class I

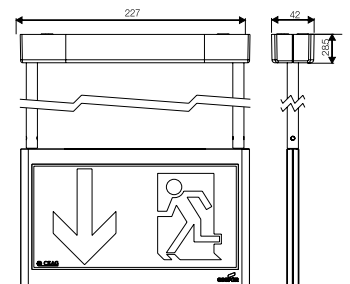
GuideLed CG-S ceiling mounting

Order data - LED pictograms*

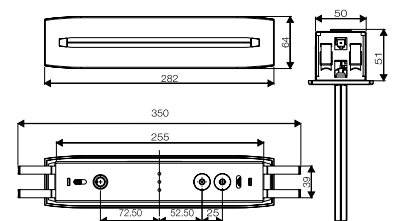
| Scope of delivery | | Order No. |
|---|--|-------------|
| LED pictogram PL/PR, for GuideLed 10021/10022/10023/10024 CG-S, DIN 4844, 20 m | | 40071353200 |
| LED pictogram PU/PU, for GuideLed 10021/10022/10023/10024 CG-S, DIN 4844, 20 m | | 40071353201 |
| LED pictogram PL/BL, for GuideLed 10021/10022/10023/10024 CG-S, DIN 4844, 20 m | | 40071353202 |
| LED pictogram PR/BL, for GuideLed 10021/10022/10023/10024 CG-S, DIN 4844, 20 m | | 40071353203 |
| LED pictogram PU/BL, for GuideLed 10021/10022/10023/10024 CG-S, DIN 4844, 20 m | | 40071353204 |
| LED pictogram PL/PR-R, for GuideLed 10021/10022/10023/10024 CG-S, DIN 4844, 20 m | | 40071353205 |
| LED pictogram PL/PR-W, for GuideLed 10021/10022/10023/10024 CG-S, DIN 4844, 20 m | | 40071353206 |
| LED pictogram PL/PR, for GuideLed 10021/10022/10023/10024 CG-S, 20 m | | 40071353250 |
| LED pictogram PU/PU, for GuideLed 10021/10022/10023/10024 CG-S, 20 m | | 40071353251 |
| LED pictogram PL/BL, for GuideLed 10021/10022/10023/10024 CG-S, 20 m | | 40071353252 |
| LED pictogram PR/BL, for GuideLed 10021/10022/10023/10024 CG-S, 20 m | | 40071353253 |
| LED pictogram PU/BL, for GuideLed 10021/10022/10023/10024 CG-S, 20 m | | 40071353254 |
| LED pictogram PL/PR-R, for GuideLed 10021/10022/10023/10024 CG-S, 20 m | | 40071353255 |
| LED pictogram PL/PR-W, for GuideLed 10021/10022/10023/10024 CG-S, 20 m | | 40071353256 |



10021 CG-S



10022 / 10023 CG-S



10024 CG-S

* Fastening set required