

GuideLed CG-S ceiling mounting



- Exit sign panel luminaire in LED technology for ceiling installation.
- Slender design with pictogram width of only 12 mm
- Very good perceptibility on account of high luminance of the white contrasting colour > 500 cd/m² in keeping with standard ISO 3864-1 and high uniformity L_{min}/L_{max} > 0,8
- Increased safety by use of three-chip LEDs.
- Reduced battery costs on account of especially low power consumption.
- Low operating costs on account of low effective power of 4.1 W only. (2.6 W one-sided, radiating)
- Minimum service requirement due to high service life of the LEDs (50 000 hours).



GuideLed 11021 CG-S



GuideLed 11022 CG-S



GuideLed 11024 CG-S

Viewing distance:	30 m
Luminous flux Φ_e / Φ nominal at the end of the rated service time	100 %
Housing material	PC, PMMA
Housing colour	Light grey RAL 7035
Weight	0.79 kg (11021 LED CG-S) 0.94 kg (11022 LED CG-S) 0.99 kg (11023 LED CG-S) 1.22 kg (11024 LED CG-S)
Type of mounting	Ceiling, suspended, recessed installation
Connection terminal	Clamp terminal 2.5 mm ² reverse polarity protected
Connection voltage	220-240 VAC, 50 Hz 176-275 VDC
Current consumption - battery operation	one-sided 11 mA two-sided 17 mA
Connected load - mains operation (apparent power / effective power)	one-sided 5.0 VA / 2.6 W two-sided 7.1 VA / 4.1 W
Permissible ambient temperature	-20° Celsius to +40° Celsius
Lamp	LED batten with three-chip LEDs

Order data - fastening set

Scope of delivery	Order No.
Ceiling installation set for GuideLed 11021 CG-S with canopy including LED supply and CG-S technology (twenty addresses)	40071353620
Ceiling installation set for GuideLed 11022 CG-S with canopy and tube suspension 0.5 m including LED supply and CG-S technology (20 addresses)	40071353621
Ceiling installation set for GuideLed 11023 CG-S with canopy and tube suspension 1.5 m including LED supply and CG-S technology (20 addresses)	40071353622
Ceiling installation set for GuideLed 11024 CG-S including recessed installation housing including LED supply and CG-S technology (20 addresses)	40071353623

Order data - accessories

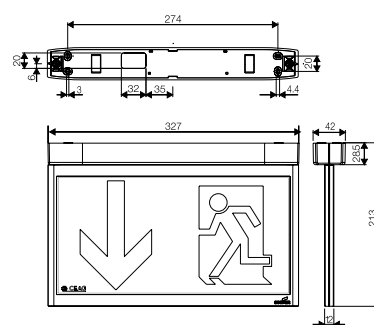
Scope of delivery	Order No.
Concrete installation box for GuideLed 11024 CG-S, 30 m*	40071352893

* Ceiling mounting set for GuideLed 11024 and concrete installation box corresponding to class of protection I

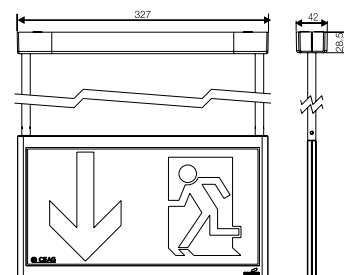
GuideLed CG-S ceiling mounting

Order data - LED pictograms*

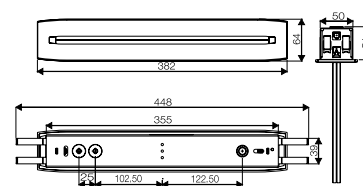
Scope of delivery		Order No.
LED pictogram PL/PR, for GuideLed 11021/11022/11023/11024 CG-S, DIN 4844, 30 m		40071353300
LED pictogram PU/PU, for GuideLed 11021/11022/11023/11024 CG-S, DIN 4844, 30 m		40071353301
LED pictogram PL/BL, for GuideLed 11021/11022/11023/11024 CG-S, DIN 4844, 30 m		40071353302
LED pictogram PR/BL, for GuideLed 11021/11022/11023/11024 CG-S, DIN 4844, 30 m		40071353303
LED pictogram PU/BL, for GuideLed 11021/11022/11023/11024 CG-S, DIN 4844, 30 m		40071353304
LED pictogram PL/PR-R, for GuideLed 11021/11022/11023/11024 CG-S, DIN 4844, 30 m		40071353305
LED pictogram PL/PR-W, for GuideLed 11021/11022/11023/11024 CG-S, DIN 4844, 30 m		40071353306
LED pictogram PL/PR, for GuideLed 11021/11022/11023/11024 CG-S, 30 m		40071353350
LED pictogram PU/PU, for GuideLed 11021/11022/11023/11024 CG-S, 30 m		40071353351
LED pictogram PL/BL, for GuideLed 11021/11022/11023/11024 CG-S, 30 m		40071353352
LED pictogram PR/BL, for GuideLed 11021/11022/11023/11024 CG-S, 30 m		40071353353
LED pictogram PU/BL, for GuideLed 11021/11022/11023/11024 CG-S, 30 m		40071353354
LED pictogram PL/PR-R, for GuideLed 11021/11022/11023/11024 CG-S, 30 m		40071353355
LED pictogram PL/PR-W, for GuideLed 11021/11022/11023/11024 CG-S, 30 m		40071353356



11021 CG-S



11022 / 11023 CG-S



11024 CG-S

* Fastening set required