

# Edge Luminaires with Legend Brilliant LED 1504 LED CG-S to 1804 LED CG-S



1504 LED CG-S  
Design white



1604 LED CG-S  
Design white



1704 LED CG-S  
Design white



1804 LED CG-S  
with metal bezel

## Technical data

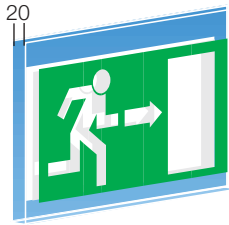
### 1504 LED CG-S to 1804 LED CG-S

<b>Viewing distance with pictogram</b>	<b>28 m</b>
Luminous flux DC-operation	100 % 79 lm 65 % 55 lm
Enclosure material	Aluminium
Enclosure colour	White
Weight incl. panel	1504 LED CG-S / 2.7 kg 1604 LED CG-S / 2.5 kg 1704 LED CG-S / 2.2 kg 1804 LED CG-S / 3.3 kg
Dimensions in mm (L x H x D)	see dimensional drawings
Connection terminals	3 x 2.5 mm <sup>2</sup>
Voltage ranges	230 V 50/60 Hz, 220 V DC +25/-20 %
Current consumption (220 V battery)	100 % 28 mA 65 % 20 mA
Power consumption	100 % 10.1 VA 65 % 7.5 VA
Permissible temperature range	-10°C to + 40°C
Lamp	4 x 1 W LED
Insulation class	I
Degree of protection	IP 20

## Ordering details

Type	Scope of supply	Order No.
1504 LED CG-S	Edge luminaire with CEWA GUARD monitoring and 20 digit address switches; with wall bracket for parallel to wall mounting, without panel; design: white, RAL 9010	4 0071 350 903
1604 LED CG-S	Edge luminaire with CEWA GUARD monitoring and 20 digit address switches; with wall bracket, without panel; design: white, RAL 9010	4 0071 350 904
1704 LED CG-S	Edge luminaires with CEWA GUARD monitoring and 20 digit address switches; for ceiling mounting, with accessories for chain suspension and accessories for pendulum mounting, without panel; design: white, RAL 9010	4 0071 350 905
1804 LED CG-S	Edge luminaires with CEWA GUARD monitoring and 20 digit address switches; for ceiling mounting, without panel; design: plastic bezel white, RAL 9010	4 0071 350 678
Bezel for 1804	metal bezel white, RAL 9010	4 0071 348 859

# Edge Luminaires with Legend Brilliant LED 1504 LED CG-S to 1804 LED CG-S



Panel PL/PR

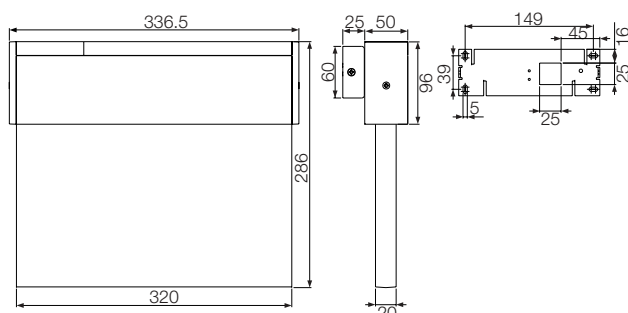
## Ordering details for panels

Type	Scope of supply	Order No.
Panel PL/PR acc. DIN 4844	Double-sided silk screened legend	4 0071 350 949
Panel PU/PU acc. DIN 4844	Double-sided silk screened legend	4 0071 350 950
Panel PU/BL acc. DIN 4844	Double-sided silk screened legend	4 0071 350 951
Panel PL/PR	Double-sided silk screened legend	4 0071 350 946
Panel PU/PU	Double-sided silk screened legend	4 0071 350 947
Panel PU/BL	Double-sided silk screened legend	4 0071 350 948

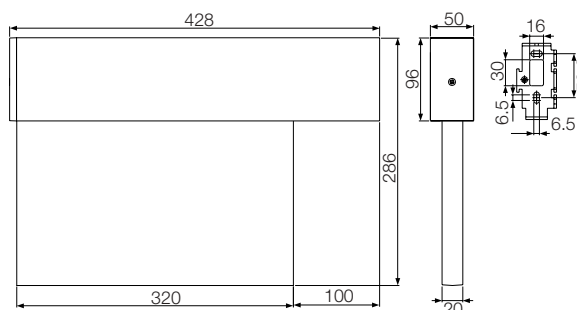
## Accessories

Type	Scope of supply	Order No.
Concrete ceiling box for 1804 ...	for installation in concrete ceilings	4 0071 341 710
Mounting set for 1804 ...	for installation in concrete ceiling box	4 0071 341 720
Pendulum set, white	0.5 m with wall bracket for 1704, RAL 9010	4 0071 348 721
Pendulum set, white	1.5 m with wall bracket for 1704, RAL 9010	4 0071 348 722
Chain suspension, metal	chain suspension for 1704	4 0071 348 723

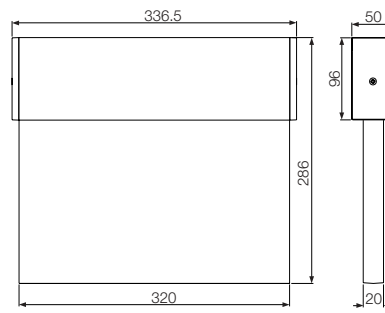
Dimensions in mm



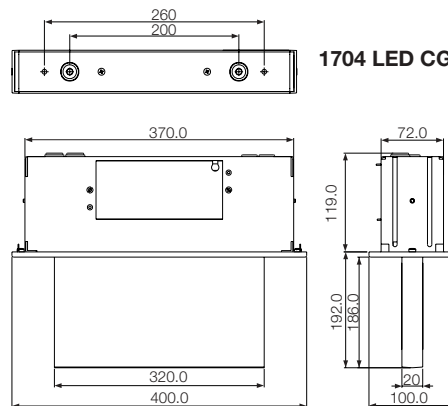
1504 LED CG-S



1604 LED CG-S



1704 LED CG-S



1804 LED CG-S

Ceiling cut-out  
required  
387<sup>(+2.5)</sup> x 75<sup>(+2.5)</sup>