

# Edge Luminaire with Legend Brillant

## 1506 CG-S to 1806 CG-S

### 1506 to 1806

#### Technical data

##### 1506 CG-S to 1806 CG-S

|                                     |  |
|-------------------------------------|--|
| <b>Viewing distance</b>             | <b>20 m</b>                              |
| Enclosure material                  | Aluminium                                |
| Enclosure colour                    | white                                    |
| Weight incl. panel B                | 1506 CG-S / 2.5 kg                       |
|                                     | 1606 CG-S / 2.5 kg                       |
|                                     | 1706 CG-S / 2.1 kg                       |
|                                     | 1806 CG-S / 3.4 kg                       |
| Dimensions (mm) (L x H x D)         | see dimensional drawings                 |
| Connection terminals                | Loop terminals 3 x 2.5 mm <sup>2</sup>   |
| Voltage ranges                      | 230/240 V 50/60 Hz, 220 V DC + 25/- 20 % |
| Current consumption (220 V battery) | 25 mA (6 W)                              |
| Power consumption                   | 12 VA                                    |
| Permissible temperature range       | -10°C to + 40°C                          |
| Lamp                                | 6 W/T16, 300 lm                          |
| Insulation class                    | I  |
| Degree of protection                | IP 20                                    |

#### Ordering details

| Type                                 | Scope of supply  | Order No.             |
|--------------------------------------|--|-----------------------|
| <b>1506 CG-S</b>                     | <b>Edge luminaire with CEWA GUARD monitoring and 20 digit address switches; with wall bracket for parallel to wall mounting, without panel; design: white, RAL 9010</b>                                      | <b>4 0071 348 702</b> |
| <b>1506</b>                          | <b>design: white, RAL 9010</b>   | <b>4 0071 348 701</b> |
| <b>1606 CG-S</b>                     | <b>Edge luminaire with CEWA GUARD monitoring and 20 digit address switches; with wall bracket, without panel; design: white, RAL 9010</b>  | <b>4 0071 348 704</b> |
| <b>1606</b>                          | <b>design: white, RAL 9010</b>   | <b>4 0071 348 703</b> |
| <b>1706 CG-S</b>                     | <b>Edge luminaire with CEWA GUARD monitoring and 20 digit address switches; for ceiling mounting, with accessories for chain suspension or for pendulum mounting, without panel; design: white, RAL 9010</b> | <b>4 0071 348 706</b> |
| <b>1706</b>                          | <b>design: white, RAL 9010</b>   | <b>4 0071 348 705</b> |
| <b>1806 CG-S</b>                     | <b>Edge luminaire with CEWA GUARD monitoring and 20 digit address switches; for ceiling mounting, without panel and without bezel</b>  | <b>4 0071 348 708</b> |
| <b>1806</b>                          | <b>without panel and without bezel</b>   | <b>4 0071 348 707</b> |
| <b>bezels for 1806 CG-S and 1806</b> | <b>Metal bezel white, RAL 9010</b>   | <b>4 0071 348 860</b> |



1506 CG-S  
Design white



1606 CG-S  
Design white

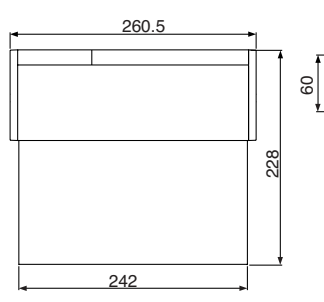


1706 CG-S  
Design white

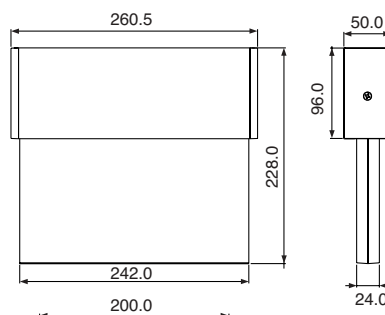
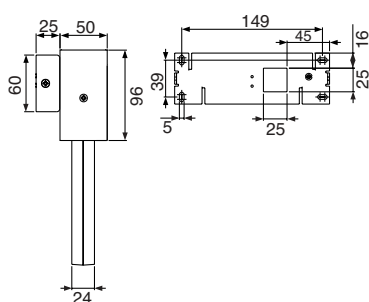


1806 CG-S  
with metal bezel white

Dimensions in mm



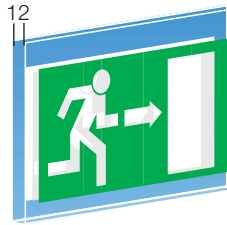
1506 CG-S / 1506



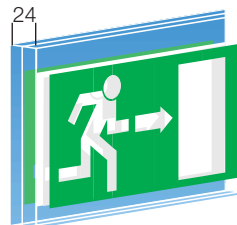
1706 CG-S / 1706

# Edge Luminaire with Legend Brillant 1506 CG-S to 1806 CG-S 1506 to 1806

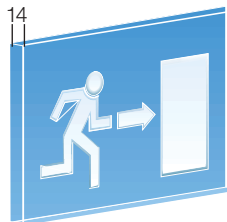
## Ordering details for panels



Panel A



Panel B



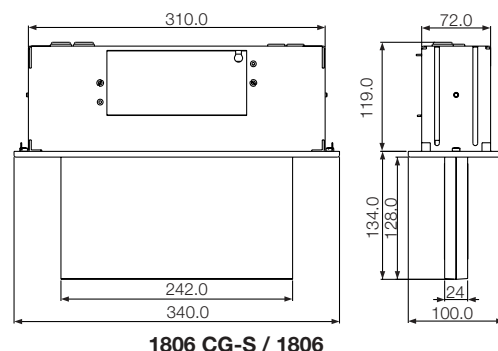
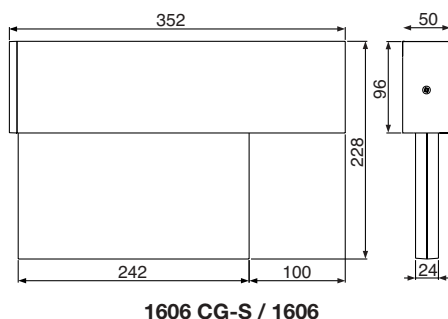
Panel C

| Type                        | Scope of supply  | Order No.      |
|-----------------------------|--|----------------|
| Panel A PL acc. DIN 4844    | Single-sided silk screened legend                            | 4 0071 348 996 |
| Panel A PR acc. DIN 4844    | Single-sided silk screened legend                            | 4 0071 348 997 |
| Panel A PU acc. DIN 4844    | Single-sided silk screened legend                            | 4 0071 348 995 |
| Panel B PL/PR acc. DIN 4844 | Double-sided silk screened legend                            | 4 0071 348 937 |
| Panel B PU/PU acc. DIN 4844 | Double-sided silk screened legend                            | 4 0071 348 938 |
| Panel B PU/BL acc. DIN 4844 | Double-sided silk screened legend                            | 4 0071 349 987 |
| Glass panel C PL/PR         | Crystal glass panel; special application, not acc. to DIN/EN | 4 0071 348 939 |
| Glass panel C PU            | Crystal glass panel; special application, not acc. to DIN/EN | 4 0071 348 940 |
| Panel A PL                  | Single-sided silk screened legend                            | 4 0071 348 993 |
| Panel A PR                  | Single-sided silk screened legend                            | 4 0071 348 994 |
| Panel A PU                  | Single-sided silk screened legend                            | 4 0071 348 992 |
| Panel B PL/PR               | Double-sided silk screened legend                            | 4 0071 348 963 |
| Panel B PU/PU               | Double-sided silk screened legend                            | 4 0071 348 964 |
| Panel B PU/BL               | Double-sided silk screened legend                            | 4 0071 349 181 |
| Glass panel C PL/PR         | Crystal glass panel; special application, not acc. to DIN/EN | 4 0071 348 965 |
| Glass panel C PU            | Crystal glass panel; special application, not acc. to DIN/EN | 4 0071 348 966 |

## Accessories

| Type                              | Scope of supply                          | Order No.      |
|-----------------------------------|--|----------------|
| Concrete ceiling box for 1806 ... | for installation in concrete ceilings    | 4 0071 348 725 |
| Mounting set for 1806 ...         | for installation in concrete ceiling box | 4 0071 341 720 |
| Pendulum set, white               | 0.5 m with wall bracket for 1706 ...     | 4 0071 348 721 |
| Pendulum set, white               | 1.5 m with wall bracket for 1706 ...     | 4 0071 348 722 |
| Chain suspension metal            | chain suspension for 1706                | 4 0071 348 723 |

Dimensions in mm



Ceiling cut-out required  
327<sup>(+2,5)</sup> x 75<sup>(+2,5)</sup>