

Emergency Luminaire

Surface-Mounted Luminaire

31012 CG-S

31012 T CG-S

Technical data

31012 CG-S, 31012 T CG-S

Luminous Φ_E/Φ_N at the end of rated operating time	75 %		
Enclosure material	Aluminium		
Weight	31012 CG-S	1.1 kg	
	31012 T CG-S	1.1 kg	
Enclosure colour	white, matt RAL 9016		
Type of mounting	surface mounting		
Dimensions in mm		diameter	height
	31012 CG-S	200	184
	31012 T CG-S	200	262
Connection terminals	loop terminals 3 x 2.5 mm ²		
Spannungsbereiche	230 V 50/60 Hz, 220 V DC +25/-20 %		
Current consumption batt. operation	TC-DEL 10 W / 13 W 40 / 50 mA		
	TC-DEL 10 W / 13 W 17.5 / 25 VA		
Permissible ambient temperature	-10 °C to +40 °C		
Lamp	TC-DEL 10 W/600 lm		
	for 31012 T CG-S as well TC-DEL 13 W/900 lm		
Insulation class	I		
Degree of protection	IP 20		



31012 CG-S

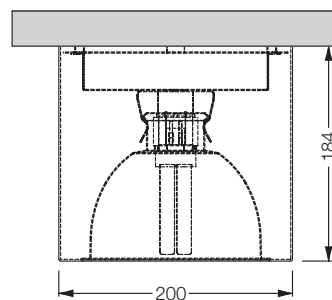


31012 T CG-S

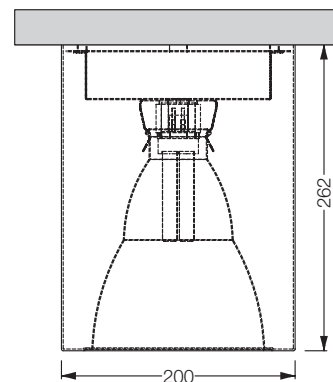
Ordering details

Type	Scope of delivery	Order No.
31012 CG-S	Luminaire with CEWA Guard monitoring and 20 digit address switch, with extreme wide light distribution for extended spacing, diameter 200 mm, without lamp	4 0071 352 262
31012 T CG-S	Luminaire with CEWA Guard monitoring and 20 digit address switch, with narrow-beam light distribution for extended mounting height, diameter 200 mm, without lamp	4 0071 352 263

Dimensions in mm



31012 CG-S

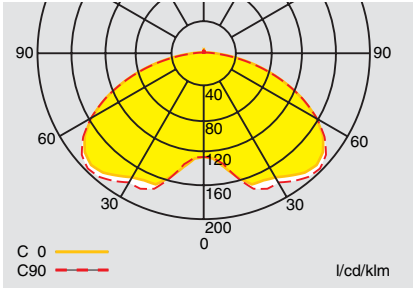


31012 T CG-S

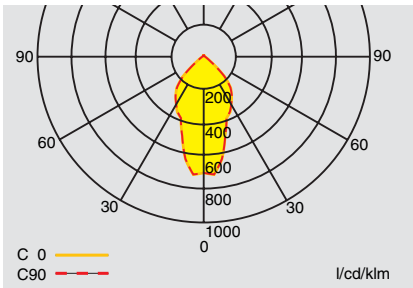
Emergency Luminaire Surface-Mounted Luminaire 31012 CG-S 31012 T CG-S

Lighting engineering

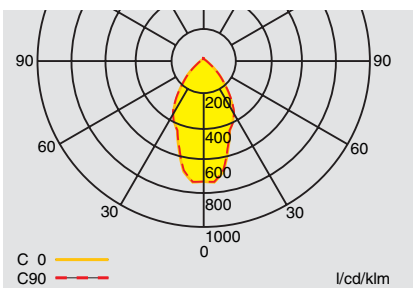
Measuring level: 0.02 m, maintenance factor MF = 80 %, battery operation



**Polar curve 31012 CG-S
with TC-DEL 10 W**



**Polar curve 31012 T CG-S
with TC-DEL 10 W**



**Polar curve 31012 T CG-S
with TC-DEL 13 W**

Engineering help for 31012 CG-S for E = 1.0 lx (0.5 lx)

Mounting height (m)	Types of mounting	Mounting distances (m)			
		L1	L2	L3	L4
2.5	Ceiling mounting	4.4 (5.4)	10.8 (13.0)	4.4 (5.4)	10.8 (13.0)
3.0	Escape route centre	4.7 (5.9)	11.6 (14.2)	4.7 (5.9)	11.6 (14.2)
4.0		5.1 (6.6)	13.0 (16.2)	5.1 (6.6)	13.0 (16.2)
5.0		5.1 (7.0)	14.0 (17.8)	5.1 (7.0)	14.0 (17.8)
6.0		4.6 (7.2)	14.4 (18.8)	4.6 (7.2)	14.4 (18.8)
7.0		3.3 (7.2)	14.2 (19.6)	3.3 (7.2)	14.2 (19.6)
3.0	Ceiling mounting	3.4 (4.4)	10.0 (12.0)	3.4 (4.4)	10.0 (12.0)
4.0	Area illumination	4.0 (5.4)	11.4 (14.0)	4.0 (5.4)	11.4 (14.0)
5.0		4.0 (5.4)	12.4 (15.4)	4.0 (5.4)	12.4 (15.4)
6.0		3.4 (5.4)	13.2 (16.6)	3.4 (5.4)	13.2 (16.6)
7.0		0.7 (5.4)	13.8 (17.6)	0.7 (5.4)	13.8 (17.6)

Engineering help for 31012 T CG-S 10 W for E = 1.0 lx (0.5 lx)

Mounting height (m)	Types of mounting	Mounting distance (m)			
		L1	L2	L3	L4
5.0	Ceiling mounting	4.5 (5.3)	10.6 (11.4)	4.5 (5.3)	10.6 (11.4)
7.0	Escape route centre	4.8 (6.6)	13.2 (15.0)	4.8 (6.6)	13.2 (15.0)
9.0		4.5 (6.9)	13.8 (17.8)	4.5 (6.9)	13.8 (17.8)
11.0		3.6 (6.7)	13.4 (19.0)	3.6 (6.7)	13.4 (19.0)
13.0		3.3 (6.2)	12.4 (19.4)	3.3 (6.2)	12.4 (19.4)
15.0		2.8 (5.2)	10.4 (19.2)	2.8 (5.2)	10.4 (19.2)
5.0	Ceiling mounting	3.4 (4.4)	8.0 (8.4)	3.4 (4.4)	8.0 (8.4)
7.0	Area illumination	3.4 (4.4)	10.4 (11.2)	3.4 (4.4)	10.4 (11.2)
9.0		3.4 (5.4)	12.2 (13.8)	3.4 (5.4)	12.2 (13.8)
11.0		3.4 (5.4)	13.0 (15.8)	3.4 (5.4)	13.0 (15.8)
13.0		2.4 (5.0)	13.4 (17.4)	2.4 (5.0)	13.4 (17.4)
15.0		2.1 (4.4)	12.8 (18.2)	2.1 (4.4)	12.8 (18.2)

Engineering help for 31012 T CG-S 13 W for E = 1.0 lx (0.5 lx)

Mounting height (m)	Types of mounting	Mounting distance (m)			
		L1	L2	L3	L4
5.0	Ceiling mounting	4.8 (5.4)	10.8 (11.8)	4.8 (5.4)	10.8 (11.8)
7.0	Escape route centre	5.6 (6.8)	13.6 (15.2)	5.6 (6.8)	13.6 (15.2)
9.0		6.1 (7.7)	15.4 (18.2)	6.1 (7.7)	15.4 (18.2)
11.0		6.2 (8.3)	16.6 (20.4)	6.2 (8.3)	16.6 (20.4)
13.0		5.6 (8.7)	17.4 (22.0)	5.6 (8.7)	17.4 (22.0)
15.0		4.7 (8.8)	17.6 (23.2)	4.7 (8.8)	17.6 (23.2)
5.0	Ceiling mounting	4.3 (4.4)	8.2 (8.8)	4.3 (4.4)	8.2 (8.8)
7.0	Area illumination	4.4 (5.4)	10.8 (11.6)	4.4 (5.4)	10.8 (11.6)
9.0		4.4 (5.4)	12.8 (14.2)	4.4 (5.4)	12.8 (14.2)
11.0		4.4 (6.4)	14.4 (16.6)	4.4 (6.4)	14.4 (16.6)
13.0		4.4 (6.4)	15.4 (18.4)	4.4 (6.4)	15.4 (18.4)
15.0		3.4 (6.4)	16.4 (20.0)	3.4 (6.4)	16.4 (20.0)