

Emergency Luminaire Recessed Luminaire 30011 CG-S, 31011 CG-S, 31011 T CG-S

Technical data

30011 CG-S, 31011 CG-S, 31011 T CG-S

Luminous flux Φ_E/Φ_N at the end of rated operating time	75 %				
Enclosure material	sheet steel				
Weight	30011 CG-S	0.8 kg			
	31011 CG-S	0.9 kg			
	31011 T CG-S	1.0 kg			
Enclosure colour	white, matt RAL 9016				
Typ of mounting	recessed luminaire				
Dimensions in mm	Diameter	ceiling cut out	height	installation depth	
	30011 CG-S	135	110	125	160
	31011 CG-S	195	175	145	170
	31011 T-CG-S	195	175	222	230
Connection terminals	Loop terminals 3 x 2.5 mm ²				
Voltage ranges	230 V 50/60 Hz, 220 V DC +25/-20 %				
Current consumption in battery operation	TC-DEL 10 W / 13 W 40 / 50 mA				
	TC-DEL 10 W / 13 W 17.5 / 25 VA				
Permissible temperature range	-10 °C to +40 °C				
Lamp	TC-DEL 10 W/600 lm				
	for 31011 T CG-S as well TC-DEL 13 W/900 lm				
Insulation class	I				
Design of protection	IP 20				



30011 CG-S



31011 CG-S

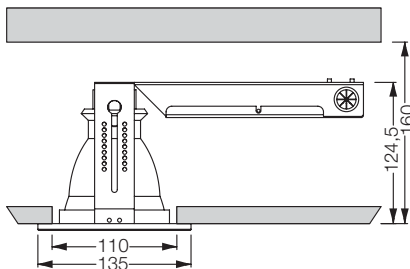


31011 T CG-S

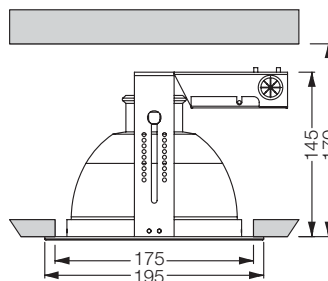
Ordering details

Type	Scope of delivery	Order No.
30011 CG-S	Luminaire with CEWA Guard monitoring and 20 digit address switch, with wide light distribution for extended spacing, diameter 135mm, without lamp	4 0071 352 260
31011 CG-S	Luminaire with CEWA Guard monitoring and 20 digit address switch, with extreme wide light distribution for extended spacing, diameter 195mm, without lamp	4 0071 352 261
31011 T CG-S	Luminaire with CEWA Guard monitoring and 20 digit address switch, with narrow-beam light distribution for extended mounting height, diameter 195mm, without lamp	4 0071 352 323

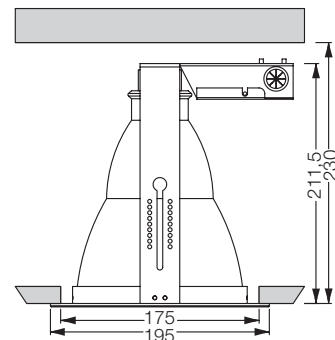
Dimensions in mm



30011 CG-S



31011 CG-S

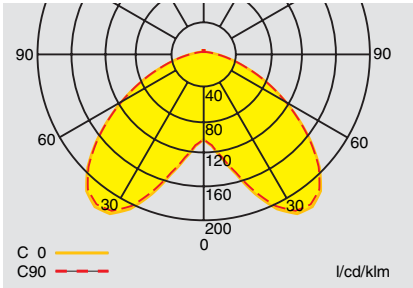


31011 T CG-S

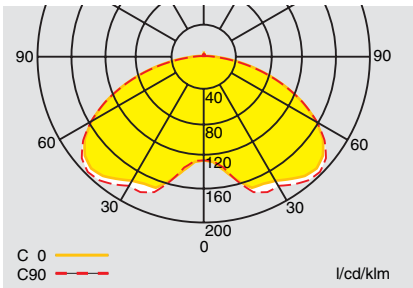
Emergency Luminaire Recessed Luminaire 30011 CG-S, 31011 CG-S, 31011 T CG-S

Lighting engineering

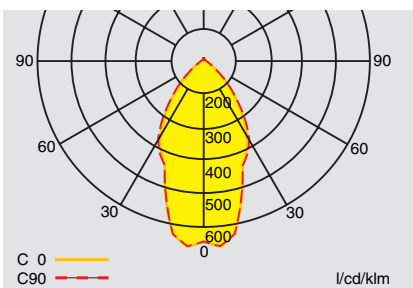
Measuring level: 0.02 m, maintenance factor MF = 80 %, battery operation



**Polar curve 30011 CG-S
with TC-DEL 10 W**



**Polar curve 31011 CG-S
with TC-DEL 10 W**



**Polar curve 31011 T CG-S
with TC-DEL 13 W**

Engineering help for 30011 CG-S for E = 1.0 lx (0.5 lx)

Mounting height (m)	Types of mounting	Mounting distances (m)			
		L1	L2	L3	L4
2.5	Ceiling mounting	3.9 (4.7)	9.4 (11.2)	3.9 (4.7)	9.4 (11.2)
3.0	Escape route centre	4.3 (5.2)	10.4 (12.4)	4.3 (5.2)	10.4 (12.4)
4.0		4.7 (5.9)	11.8 (14.4)	4.7 (5.9)	11.8 (14.4)
5.0		5.0 (6.4)	12.8 (15.8)	5.0 (6.4)	12.8 (15.8)
6.0		5.0 (6.8)	13.6 (17.2)	5.0 (6.8)	13.6 (17.2)
3.0	Ceiling mounting	3.4 (4.4)	8.4 (10.0)	3.4 (4.4)	8.4 (10.0)
4.0	Area illumination	3.4 (5.4)	9.8 (11.6)	3.4 (5.4)	9.8 (11.6)
5.0		3.4 (5.4)	10.8 (13.2)	3.4 (5.4)	10.8 (13.2)
6.0		3.9 (5.4)	11.8 (14.4)	3.9 (5.4)	11.8 (14.4)
7.0		0.7 (5.4)	12.4 (15.4)	0.7 (5.4)	12.4 (15.4)

Engineering help for 31011 CG-S for E = 1.0 lx (0.5 lx)

Mounting height (m)	Types of mounting	Mounting distances (m)			
		L1	L2	L3	L4
2.5	Ceiling mounting	4.4 (5.4)	10.8 (13.0)	4.4 (5.4)	10.8 (13.0)
3.0	Escape route centre	4.7 (5.9)	11.6 (14.2)	4.7 (5.9)	11.6 (14.2)
4.0		5.1 (6.6)	13.0 (16.2)	5.1 (6.6)	13.0 (16.2)
5.0		5.1 (7.0)	14.0 (17.8)	5.1 (7.0)	14.0 (17.8)
6.0		4.6 (7.2)	14.4 (18.8)	4.6 (7.2)	14.4 (18.8)
7.0		3.3 (7.2)	14.2 (19.6)	3.3 (7.2)	14.2 (19.6)
3.0	Ceiling mounting	3.4 (4.4)	10.0 (12.0)	3.4 (4.4)	10.0 (12.0)
4.0	Area illumination	4.0 (5.4)	11.4 (14.0)	4.0 (5.4)	11.4 (14.0)
5.0		4.0 (5.4)	12.4 (15.4)	4.0 (5.4)	12.4 (15.4)
6.0		3.4 (5.4)	13.2 (16.6)	3.4 (5.4)	13.2 (16.6)
7.0		0.7 (5.4)	13.8 (17.6)	0.7 (5.4)	13.8 (17.6)

Engineering help for 31011 T CG-S for E = 1.0 lx (0.5 lx)

Mounting height (m)	Types of mounting	Mounting distances (m)			
		L1	L2	L3	L4
5.0	Ceiling mounting	4.8 (5.4)	10.8 (11.8)	4.8 (5.4)	10.8 (11.8)
7.0	Escape route centre	5.6 (6.7)	13.4 (15.2)	5.6 (6.7)	13.4 (15.2)
9.0		6.1 (7.6)	15.2 (18.0)	6.1 (7.6)	15.2 (18.0)
11.0		6.2 (8.2)	16.4 (20.2)	6.2 (8.2)	16.4 (20.2)
13.0		5.5 (8.5)	17.0 (21.6)	5.5 (8.5)	17.0 (21.6)
15.0		4.7 (8.6)	17.2 (23.0)	4.7 (8.6)	17.2 (23.0)
5.0	Ceiling mounting	3.4 (4.4)	8.2 (8.8)	3.4 (4.4)	8.2 (8.8)
7.0	Area illumination	4.4 (5.4)	10.6 (11.6)	4.4 (5.4)	10.6 (11.6)
9.0		4.4 (5.4)	12.6 (14.2)	4.4 (5.4)	12.6 (14.2)
11.0		4.4 (6.4)	14.0 (16.4)	4.4 (6.4)	14.0 (16.4)
13.0		4.4 (6.5)	15.0 (18.2)	4.4 (6.5)	15.0 (18.2)
15.0		3.4 (6.4)	16.0 (19.6)	3.4 (6.4)	16.0 (19.6)